



PARTS LIST FOR  
***MH-0375-LM10***

This Parts Listing has been compiled for your benefit. You can be assured your Mi-T-M Space Heater was constructed and designed with quality and performance in mind. Each component has been rigorously tested to insure the highest level of acceptance.

The contents of this Parts Listing are based on the latest product information available at the time of publication. Mi-T-M reserves the right to make changes in price, color, materials, equipment, specifications or models at any time without notice.

**WARNING**

THIS IS A PROFESSIONAL SPACE HEATER. CAUTION SHOULD BE OBSERVED WHEN USING OR REPAIRING THIS UNIT! READ AND FOLLOW THE SAFETY WARNINGS LISTED BELOW BEFORE ATTEMPTING ANY REPAIRS ON THIS SPACE HEATER!

**SAFETY WARNINGS**

1. NEVER alter or modify the equipment. Use only genuine Mi-T-M parts for repair of your space heater. Failure to do so can cause hazardous operating conditions and will VOID warranty.
2. Be thoroughly familiar with controls.
3. Before servicing the unit, turn unit off, and allow the unit to cool down. Do not make repairs while the unit is running. Service in a clean, dry, flat area. Block the wheels to prevent the unit from moving. Be especially careful to properly dispose of any flammable materials.

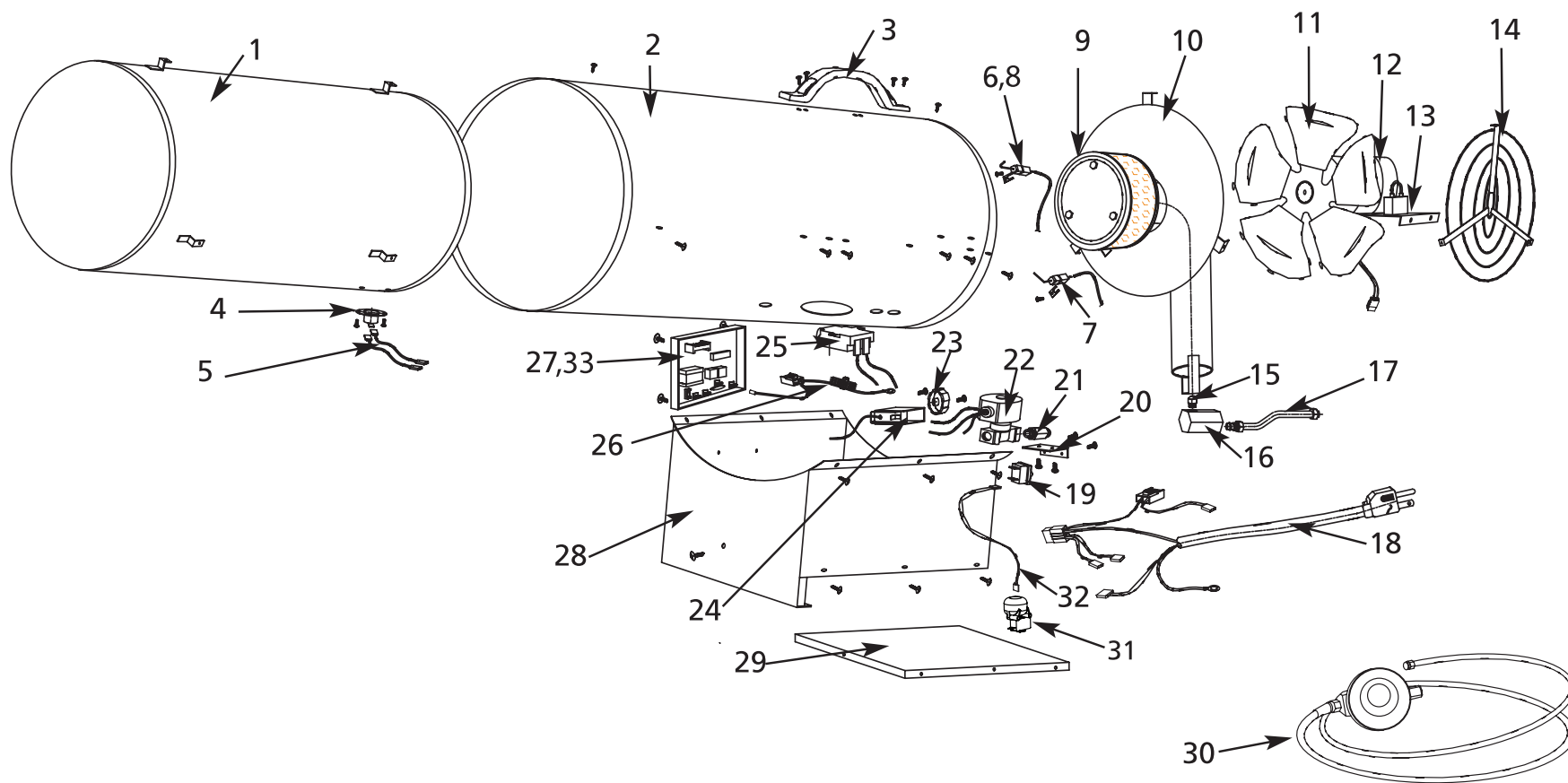
**Table of Contents**

**SPECIFICATIONS.....3**  
**FRAME ASSEMBLY .....4**

## SPECIFICATIONS

<b>Model</b>	<b>MH-0375-LM10</b>
<b>Rating BTU/Hr</b>	225,000-375,000
<b>Fuel Consumption Lbs/Hr</b>	10.4 to 17.4
<b>Electrical Input</b>	120V, 60 Hz
<b>Regulator Outlet Pressure</b>	7-18 PSIG
<b>Motor</b>	1/5 HP 1,660 RPM
<b>Size (L x W x H)</b>	34" x 12.6" x 18.5"
<b>Net Weight (Lbs)</b>	41

# FRAME ASSEMBLY



MH-0375-LM10 092221

## FRAME ASSEMBLY

ITEM	ITEM DESCRIPTION	PART NO.	QTY.
1	INNER SHELL ASSEMBLY	68-6112	1
2	OUTER SHELL	68-6113	1
3	HANDLE ASSEMBLY	68-6114	1
4	THERMAL SWITCH	68-6115	1
5	THERMAL SWITCH CABLE	68-6116	1
6	SPARK PLUG	68-6117	1
7	SENSOR PLUG	68-6118	1
8	SPARK PLUG BRACKET	68-6119	1
9	BURNER ASSEMBLY	68-6120	1
10	REAR PLATE ASSEMBLY	68-6193	1
11	FAN ASSEMBLY	68-6122	1
12	MOTOR ASSEMBLY	68-6123	1
13	MOTOR BRACKET	68-6194	1
14	GUARD	68-6125	1
15	NOZZLE	68-6126	1
16	NOZZLE HOLDER	68-6195	1
17	TUBING ASSEMBLY	68-6057	1
18	POWER CORD ASSEMBLY	68-6128	1
19	ON-OFF SWITCH	68-6111	1
20	SOLENOID VALVE BRACKET	68-6196	1
21	INLET CONNECTOR	68-6130	1
22	SOLENOID VALVE	68-6131	1
23	THERMOSTAT KNOB	68-6110	1
24	THERMOSTAT	68-6153	1
25	SPARK MODULE	68-6134	1
26	SENSOR CABLE	68-6053	1
27	PCB	68-6104	1
28	BASE	68-6085	1
29	BASE COVER	68-6089	1
30	REGULATOR/HOSE ASSEMBLY	68-6137	1
31	TIP OVER SWITCH	68-6170	1
32	LEAD WIRE	68-6197	2
33	PCB CASE	68-6105	1

Manufactured by Mi-T-M  
50 Mi-T-M Drive, Peosta IA 52068  
563-556-7484/ Fax 563-556-1235