



PARTS LIST FOR
WTP-T03-OMGH
WTP-T03-OMGM
WTP-T04-OMGH
TRASH PUMPS

This Parts Listing has been compiled for your benefit. You can be assured your Mi-T-M Water Transfer Pump was constructed and designed with quality and performance in mind. Each component has been rigorously tested to insure the highest level of acceptance.

The contents of this Parts Listing are based on the latest product information available at the time of publication. Mi-T-M reserves the right to make changes in price, color, materials, equipment, specifications or models at any time without notice.

WARNING

THIS IS A PROFESSIONAL TRASH PUMP CAUTION SHOULD BE OBSERVED WHEN USING OR REPAIRING THIS UNIT! READ AND FOLLOW THE SAFETY WARNINGS LISTED BELOW BEFORE ATTEMPTING ANY REPAIRS ON THIS TRASH PUMP!

SAFETY WARNINGS

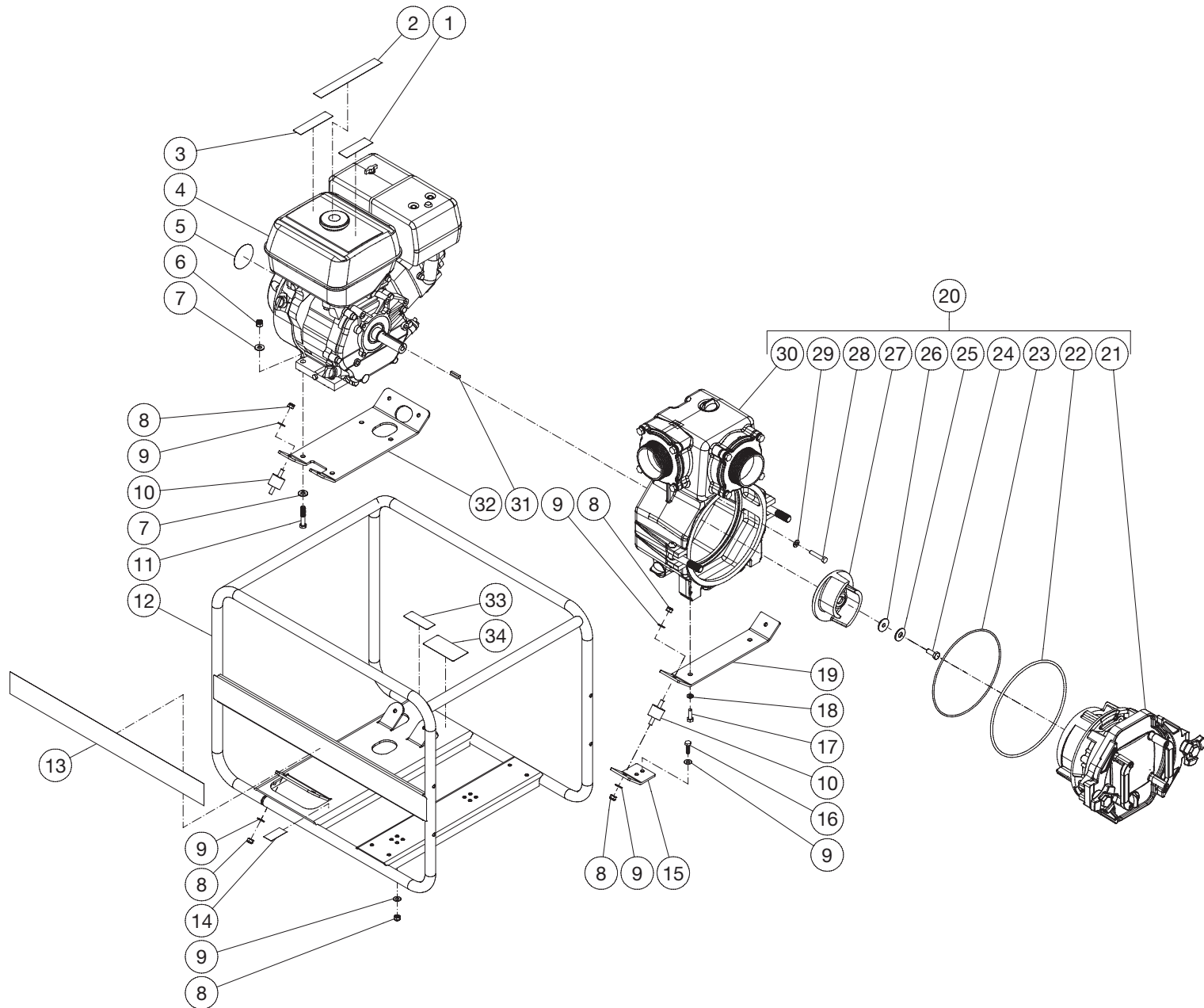
1. NEVER alter or modify the equipment. Use only genuine Mi-T-M parts for repair. Failure to do so can cause hazardous operating conditions and will VOID warranty.
2. Be thoroughly familiar with controls.
3. Do not run pump without water inside the pump.

Table of Contents

TRASH PUMP	4
PUMP ASSEMBLY (3-0422)	6
PUMP ASSEMBLY (3-0423)	8

MODEL NUMBER	WTP-T03-0MGH	WTP-T04-0MGH	WTP-T03-0MGM
Engine:	Honda	Honda	Mi-T-M
Model	GX270	GX390	420cc
Engine Type	4 Stroke, Overhead Valve, Single Cylinder	4 Stroke, Overhead Cam, Single Cylinder	4 Stroke, Overhead Valve, Single Cylinder
Oil Type	SAE10W-30		
Oil Capacity (oz./liters)	37.2 / 1.1		
Fuel Type	Unleaded Gasoline 86 Octane Minimum		
Fuel Capacity (gallons/liters)	1.6 / 6.0		1.8 / 6.8
Starting	Recoil		
Maximum No Load RPM	3600		
Pump:			
Maximum GPM	361	561	361
Connection Diameter (in.)	3	4	3
Suction Head (ft.)	28.0		
Total Head (ft.)	89	93	89
Weight:			
Net	117 lbs	133 lbs	137 lbs
Shipping	140 lbs	156 lbs	160 lbs
Dimensions:			
Basic L x W x H	29" x 21.62" x 22.50"		

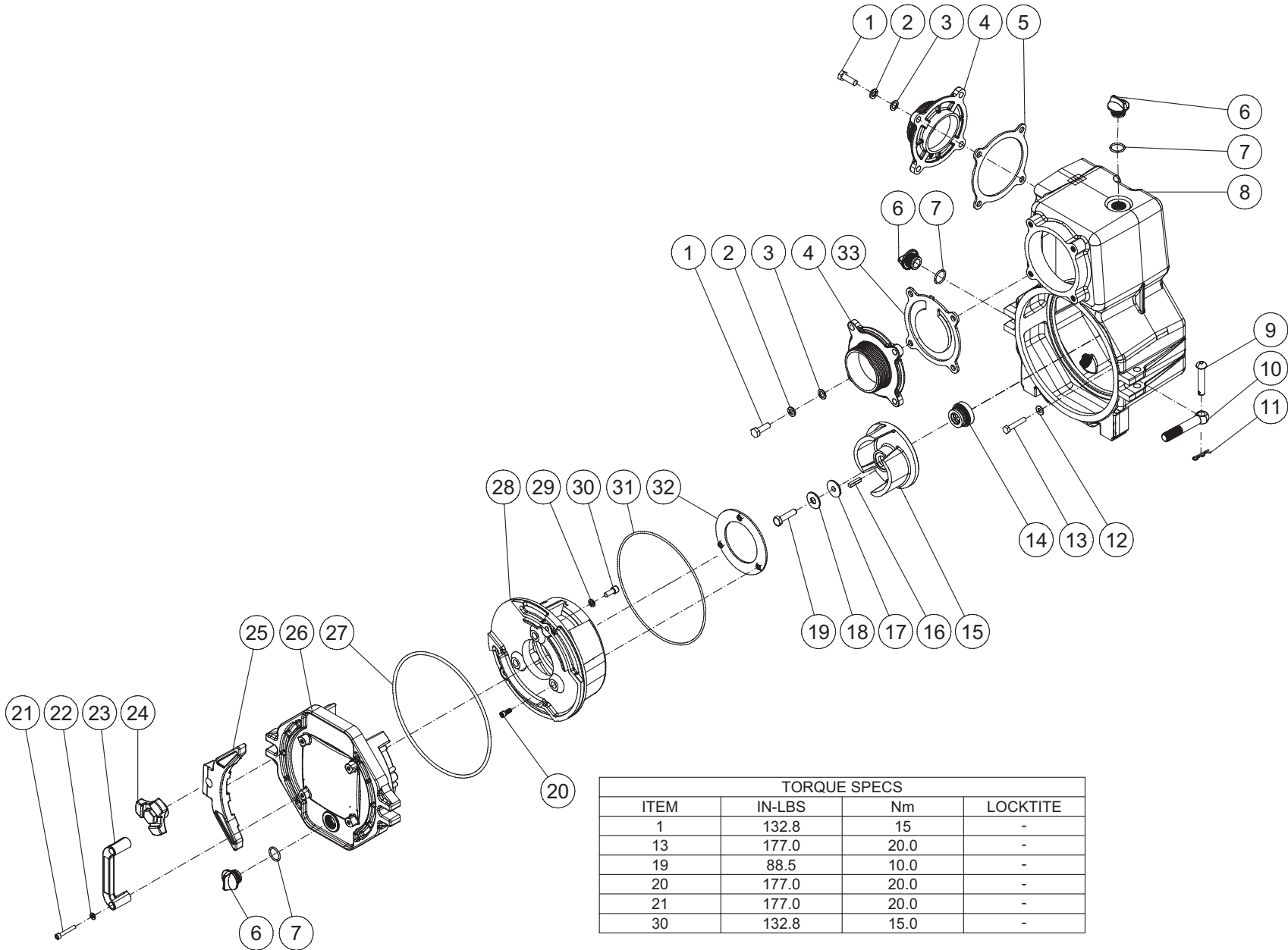
TRASH PUMP



WTP-T03-0MGMH&OMGM_T04-0MGMH 122121_JRC

WTP-T03-0MGH&OMGM_T04-0MGH 122121 JRC			
TRASH PUMP			
ITEM	TITLE	PART #	QTY
1	DECAL - RISK OF FIRE (SEE 71-1035)	N/A	1
2	DECAL - CHECK OIL	N/A	1
3	DECAL - RISK OF BURNS (SEE 71-1035)	N/A	1
4	ENGINE - HONDA (T03)	1-0162	1
-	ENGINE - HONDA (T04)	1-0086	1
-	ENGINE - MITM (T03)	1-0199	1
5	DECAL - REWIND 420CC (T03-0MGM)	34-2865	1
6	LOCKNUT	30-0159	4
7	WASHER	28-0022	8
8	LOCKNUT	30-0157	16
9	WASHER	28-0003	20
10	ISOLATOR	14-0107	6
11	BOLT	27-0121	4
12	FRAME	5-0353A18	1
13	Mi-T-M DECAL (T03)	34-3355	1
-	Mi-T-M DECAL (T04)	34-3356	1
14	DECAL - MADE IN USA	34-3553	1
15	ISOLATOR MOUNTING BRACKET	5-0236A18	2
16	BOLT	27-0067	4
17	BOLT	27-8062	2
18	LOCKWASHER	29-0054	2
19	ISOLATION PLATE - PUMP	5-0354A18	1
20	PUMP (T03)	3-0422	1
-	PUMP (T04)	3-0423	1
21	PUMP COVER	N/A	1
22	O-RING	25-0694	1
23	O-RING	25-0695	1
24	BOLT (T03)	27-0191	1
-	BOLT (T04)	27-0143	1
25	WASHER (T03)	28-0024	1
-	WASHER (T04)	28-0023	1
26	RUBBER PLUG	46-1634	1
27	IMPELLER	46-1630	1
28	BOLT	27-9602	4
29	WASHER	28-0003	4
30	PUMP BODY	46-1632	1
31	KEY	43-0146	1
32	ISOLATION PLATE - ENG	5-0355A18	1
33	DECAL - PROP 65 (SEE 71-1035)	N/A	1
34	DECAL- SILVER STICKER	N/A	1
-	DECAL SET	71-0135	1

PUMP ASSEMBLY (3-0422)



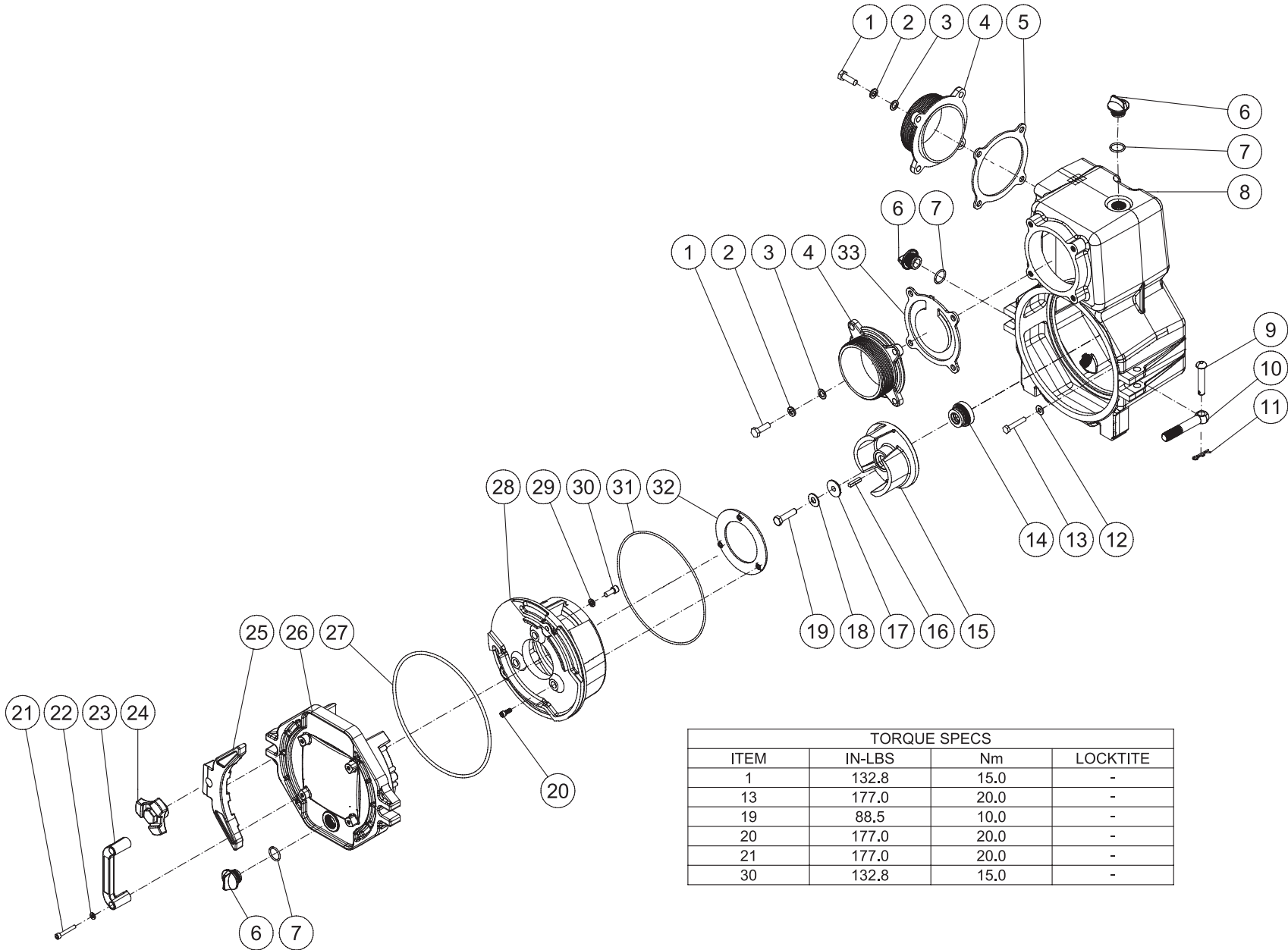
TORQUE SPECS			
ITEM	IN-LBS	Nm	LOCTITE
1	132.8	15	-
13	177.0	20.0	-
19	88.5	10.0	-
20	177.0	20.0	-
21	177.0	20.0	-
30	132.8	15.0	-

3-0422 111715 JJR

PUMP ASSEMBLY			
ITEM	DESCRIPTION	PART #	QTY
1	BOLT	27-8061	8
2	LOCKWASHER	29-0055	8
3	WASHER	28-0030	8
4	SUCTION FLANGE	46-1631	2
5	DISCHARGE FLANGE RUBBER PAD (SEE KIT 70-0664)	46-1639	1
6	SCREW PLUG (SEE KIT 70-0662)	46-1635	3
7	O-RING (SEE KIT 70-0662)	46-1636	3
8	PUMP BODY	46-1632	1
9	PIN (SEE KIT 70-0665)	SEE KIT	2
10	SWING BOLT (SEE KIT 70-0665)	SEE KIT	2
11	COTTER (SEE KIT 70-0665)	SEE KIT	2
12	WASHER (SEE KIT 70-0664)	28-0003	4
13	BOLT	27-9602	4
14	SEAL (SEE KIT 70-0664)	46-1640	1
15	IMPELLER	46-1630	1
16	KEY	43-0146	1
17	RUBBER PLUG (SEE KIT 70-0664)	46-1634	1
18	WASHER (SEE KIT 70-0664)	28-0024	1
19	BOLT	27-0191	1
20	BOLT	27-0896	3
21	BOLT	27-8406	4
22	LOCKWASHER	29-1006	4
23	HANDLE	46-1625	2
24	TRIANGLE NUT	46-1626	2
25	PUMP COVER PRESSING PLATE	46-1627	2
26	PUMP COVER	46-1628	1
27	O-RING (SEE KIT 70-0664)	25-0694	1
28	DIFFUSOR	46-1629	1
29	LOCKWASHER	29-0054	2
30	SCREW (SEE KIT 70-0663)	27-8432	2
31	O-RING (SEE KIT 70-0664)	25-0695	1
32	DIFFUSER PANEL (SEE KIT 70-0663)	46-1637	1
33	FLAP VALVE (SEE KIT 70-0664)	46-1641	1

REPLACEMENT KITS			
KIT #	DESCRIPTION	ITEMS	# OF ASSEMBLIES
70-0662	KIT-PLUG ASSY	6, 7	1
70-0663	KIT-DIFFUSER PANEL	30, 32	1
70-0665	KIT-SWING BOLT	9, 10, 11	1
70-0664	KIT-SEAL	5, 12, 14, 17, 18, 27, 31, 33	1

PUMP ASSEMBLY (3-0423)



TORQUE SPECS			
ITEM	IN-LBS	Nm	LOCKTITE
1	132.8	15.0	-
13	177.0	20.0	-
19	88.5	10.0	-
20	177.0	20.0	-
21	177.0	20.0	-
30	132.8	15.0	-

3-0423 111715 JJR

PUMP ASSEMBLY			
ITEM	DESCRIPTION	PART #	QTY
1	BOLT	27-8061	8
2	LOCKWASHER	29-0055	8
3	WASHER	28-0030	8
4	SUCTION FLANGE	46-1633	2
5	DISCHARGE FLANGE RUBBER PAD (SEE KIT 70-0666)	46-1639	1
6	SCREW PLUG (SEE KIT 70-0662)	46-1635	3
7	O-RING (SEE KIT 70-0662)	46-1636	3
8	PUMP BODY	46-1632	1
9	PIN (SEE KIT 70-0665)	SEE KIT	2
10	SWING BOLT (SEE KIT 70-0665)	SEE KIT	2
11	COTTER (SEE KIT 70-0665)	SEE KIT	2
12	WASHER (SEE KIT 70-0666)	28-0003	4
13	BOLT	27-9602	4
14	SEAL (SEE KIT 70-0666)	46-1640	1
15	IMPELLER	46-1630	1
16	KEY	43-0146	1
17	RUBBER PLUG (SEE KIT 70-0666)	46-1634	1
18	WASHER (SEE KIT 70-0666)	28-0023	1
19	BOLT	27-0143	1
20	BOLT	27-0896	3
21	BOLT	27-8406	4
22	LOCKWASHER	29-1006	4
23	HANDLE	46-1625	2
24	TRIANGLE NUT	46-1626	2
25	PUMP COVER PRESSING PLATE	46-1627	2
26	PUMP COVER	46-1628	1
27	O-RING (SEE KIT 70-0666)	25-0694	1
28	DIFFUSOR	46-1629	1
29	LOCKWASHER	29-0054	2
30	SCREW (SEE KIT 70-0663)	27-8432	2
31	O-RING (SEE KIT 70-0666)	25-0695	1
32	DIFFUSER PANEL (SEE KIT 70-0663)	46-1637	1
33	FLAP VALVE (SEE KIT 70-0666)	46-1638	1

REPLACEMENT KITS			
KIT #	DESCRIPTION	ITEMS	# OF ASSEMBLIES
70-0662	KIT-PLUG ASSY	6,7	1
70-0663	KIT-DIFFUSER PANEL	30,32	1
70-0665	KIT-SWING BOLT	9,10,11	1
70-0666	KIT-SEAL	5,12,14,17,18,27,31,33	1

Manufactured by Mi-T-M
50 Mi-T-M Drive, Peosta IA 52068
563-556-7484/ Fax 563-556-1235