



PARTS LIST FOR
MH-0018-0M11

This Parts Listing has been compiled for your benefit. You can be assured your Mi-T-M Space Heater was constructed and designed with quality and performance in mind. Each component has been rigorously tested to insure the highest level of acceptance.

The contents of this Parts Listing are based on the latest product information available at the time of publication. Mi-T-M reserves the right to make changes in price, color, materials, equipment, specifications or models at any time without notice.

WARNING

THIS IS A PROFESSIONAL SPACE HEATER. CAUTION SHOULD BE OBSERVED WHEN USING OR REPAIRING THIS UNIT! READ AND FOLLOW THE SAFETY WARNINGS LISTED BELOW BEFORE ATTEMPTING ANY REPAIRS ON THIS SPACE HEATER!

SAFETY WARNINGS

1. NEVER alter or modify the equipment. Use only genuine Mi-T-M parts for repair of your space heater. Failure to do so can cause hazardous operating conditions and will VOID warranty.
2. Know how to stop and bleed pressures quickly. Be thoroughly familiar with controls.
3. Before servicing the unit, turn unit off, and allow the unit to cool down. Do not make repairs while the unit is running. Service in a clean, dry, flat area. Block the wheels to prevent the unit from moving. Be especially careful to properly dispose of any flammable materials.

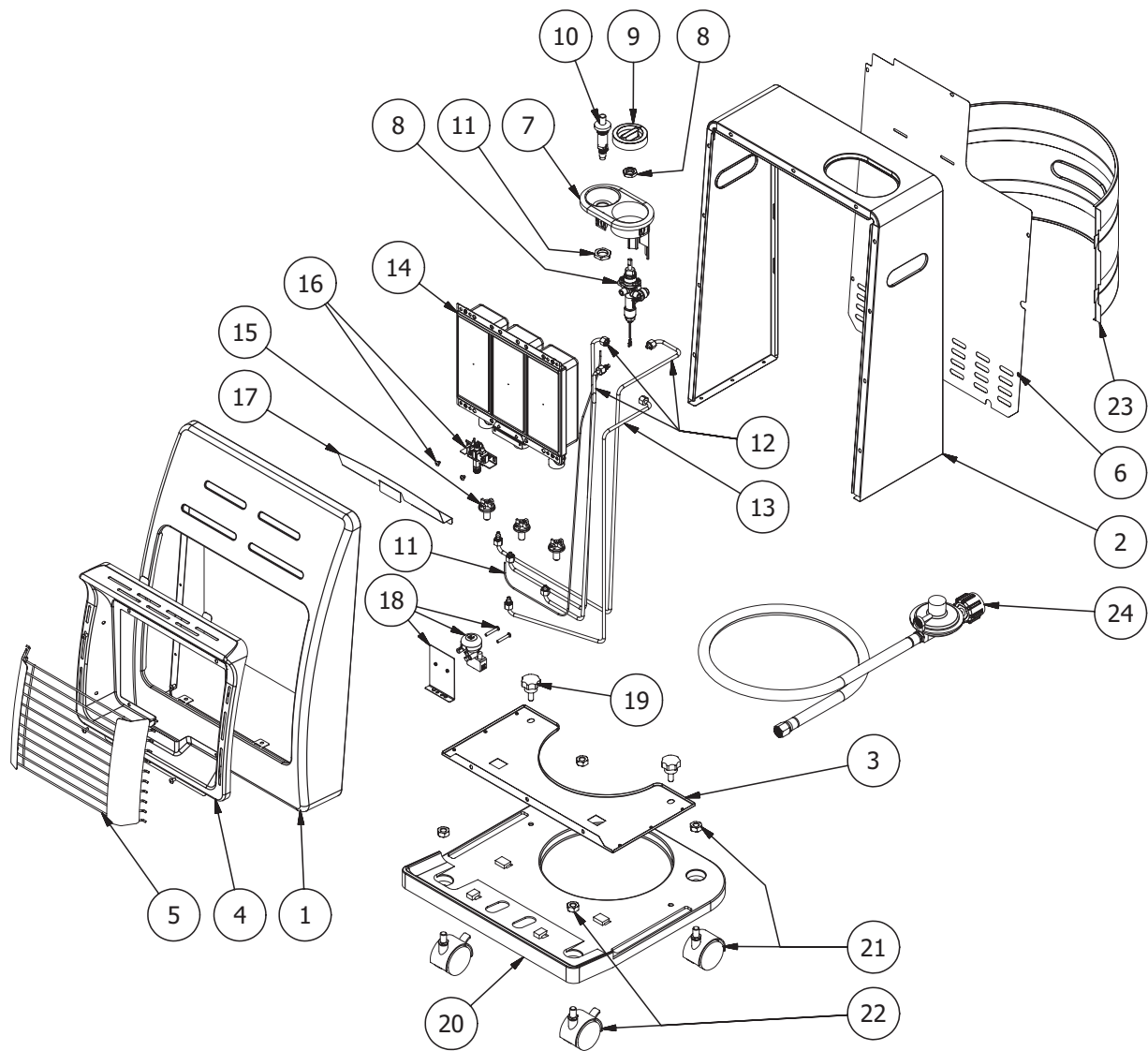
Table of Contents

SPECIFICATIONS.....3
FRAME ASSEMBLY4

SPECIFICATIONS

Model	MH-0018-0M11
Heat Output - Low (BTU)	6,600
Heat Output - Med (BTU)	12,000
Heat Output - High (BTU)	18,000
Heating Area - L / M / H (Sq. Ft.)	210 / 390 / 600
Fuel Consumption - L / M / H (lb./hr.)	.304 / .552 / .828
Required Cylinder Size	20 lb
Max Operating Hours - L / M / H (for 20 lb cylinder)	72 / 36 / 24
Fuel	Propane
Manifold Pressure	11.00" W.C.
Weight (lbs.)	16.3
Unit Size (with cylinder retainer) (L x W x H) (in.)	17.9 x 15.4 x 24.2

FRAME ASSEMBLY



MH-0018-0M11 020623

FRAME ASSEMBLY

ITEM	DESCRIPTION	PART #	QTY
1	FRONT CABINET	N/A	1
2	OUTTER CABINET	68-6247	1
3	BOTTOM CABINET	N/A	1
4	FRONT DÉCOR	N/A	1
5	RADIAN GRILL	68-6248	1
6	BACK CABINET	N/A	1
7	CONTROL BEZEL	68-6249	1
8	GAS VALVE WITH NUT	68-6241	1
9	GAS CONTROL KNOB	68-6250	1
10	PIEZO WITH NUT	68-6238	1
11	PIEZO WIRE	68-6239	1
12	BURNER FEED LINE (SET OF 3)	68-6242	3
13	PILOT ASSEMBLY FEED LINE	68-6243	1
14	BURNER ASSEMBLY	68-6244	1
15	BURNER ORIFICE (SET OF 3)	68-6245	3
16	ODS PILOT ASSEMBLY (INCLUDES SCREWS)	68-6246	1
17	PILOT SHIELD	68-6251	1
18	TIP SWITCH KIT (INC. BRACKET & HARDWARE)	68-6240	1
19	MOUNTING KNOB	68-6252	2
20	BASE	N/A	1
21	SWIVEL WHEEL	68-6179	2
22	SWIVEL WHEEL WITH LOCK	68-6177	2
23	PROPANE BOTTLE RETAINER	68-6164	1
24	FUEL LINE WITH REGULATOR	68-6163	1

Manufactured by Mi-T-M
50 Mi-T-M Drive, Peosta IA 52068
563-556-7484/ Fax 563-556-1235