



PARTS LIST FOR  
***GEN-6000-OMKD***

This Parts Listing has been compiled for your benefit. You can be assured your Mi-T-M Generator was constructed and designed with quality and performance in mind using over 25 years experience in the pressure washer business. Each component has been rigorously tested to insure the highest level of acceptance.

The contents of this Parts Listing are based on the latest product information available at the time of publication. Mi-T-M reserves the right to make changes in price, color, materials, equipment, specifications or models at any time without notice.

**WARNING**

CAUTION SHOULD BE OBSERVED WHEN USING OR REPAIRING THIS UNIT! READ AND FOLLOW THE SAFETY WARNINGS LISTED BELOW BEFORE ATTEMPTING ANY REPAIRS ON THIS GENERATOR!

**SAFETY WARNINGS**

1. NEVER alter or modify the equipment. Use only genuine Mi-T-M replacement parts for repair of your generator. Failure to do so can cause hazardous operating conditions and will VOID warranty.
2. NEVER maintenance the unit while running. Using the engine stop lever, turn the engine off, remove the key from the key switch. Turning over the machinery by hand during adjustment or cleaning might start the engine and machinery with it, causing serious injury to the operator.
3. Do not operate the unit without all protective covers in place. Know how to stop the generator and turn off circuits quickly. Be thoroughly familiar with controls.
4. Before servicing the unit, turn unit off and allow the unit to cool down. Do not make repairs while the unit is running. Service in a clean, dry, flat area. Block the wheels to prevent the unit from moving. Be especially careful to properly dispose of any flammable materials.

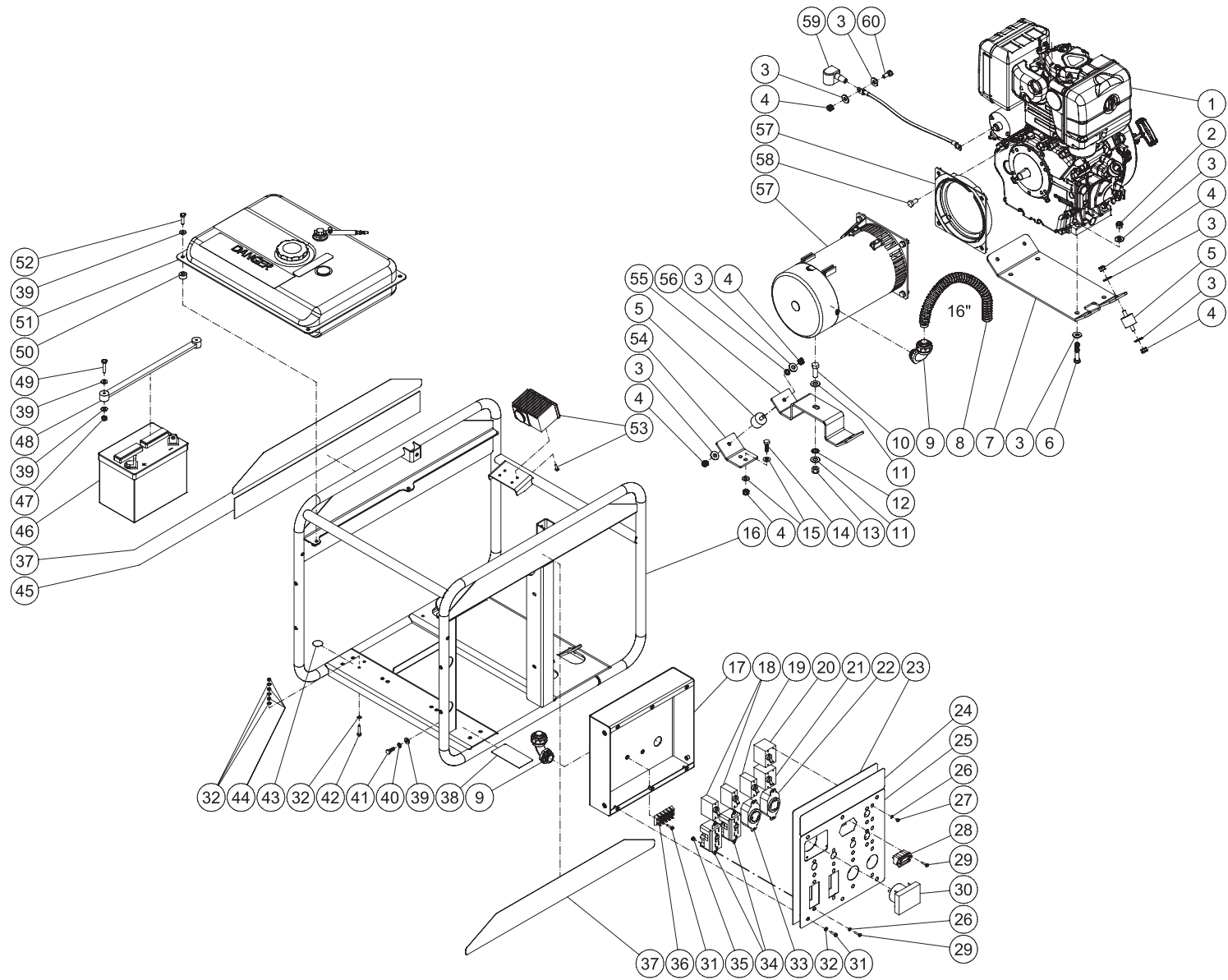
## Table of Contents

SPECIFICATIONS.....	3
GEN-6000-0MKD .....	4
ALTERNATOR ASSEMBLY (32-1035) .....	6
FUEL TANK ASSEMBLY (856-0018).....	8
WIRE DIAGRAM .....	10

## SPECIFICATIONS

MODEL NUMBER	GEN-6000-0MKD
Engine:	Kohler
Watts (AC) Rated:	5000W
Watts (AC) Max.:	6000W
Rated Voltage (AC):	120/240V
Max. Amperage:	50A / 25A
Cont. Amperage:	41.7A / 20.8A
Frequency:	60Hz
Fuel Tank Capacity:	2.6 gal.
Run Time Hours / Tank of Fuel*:	6.5 hrs.
Battery for Electric Start:	Part Number #32-0058
* Rated at Full Load	

# GEN-6000-0MKD

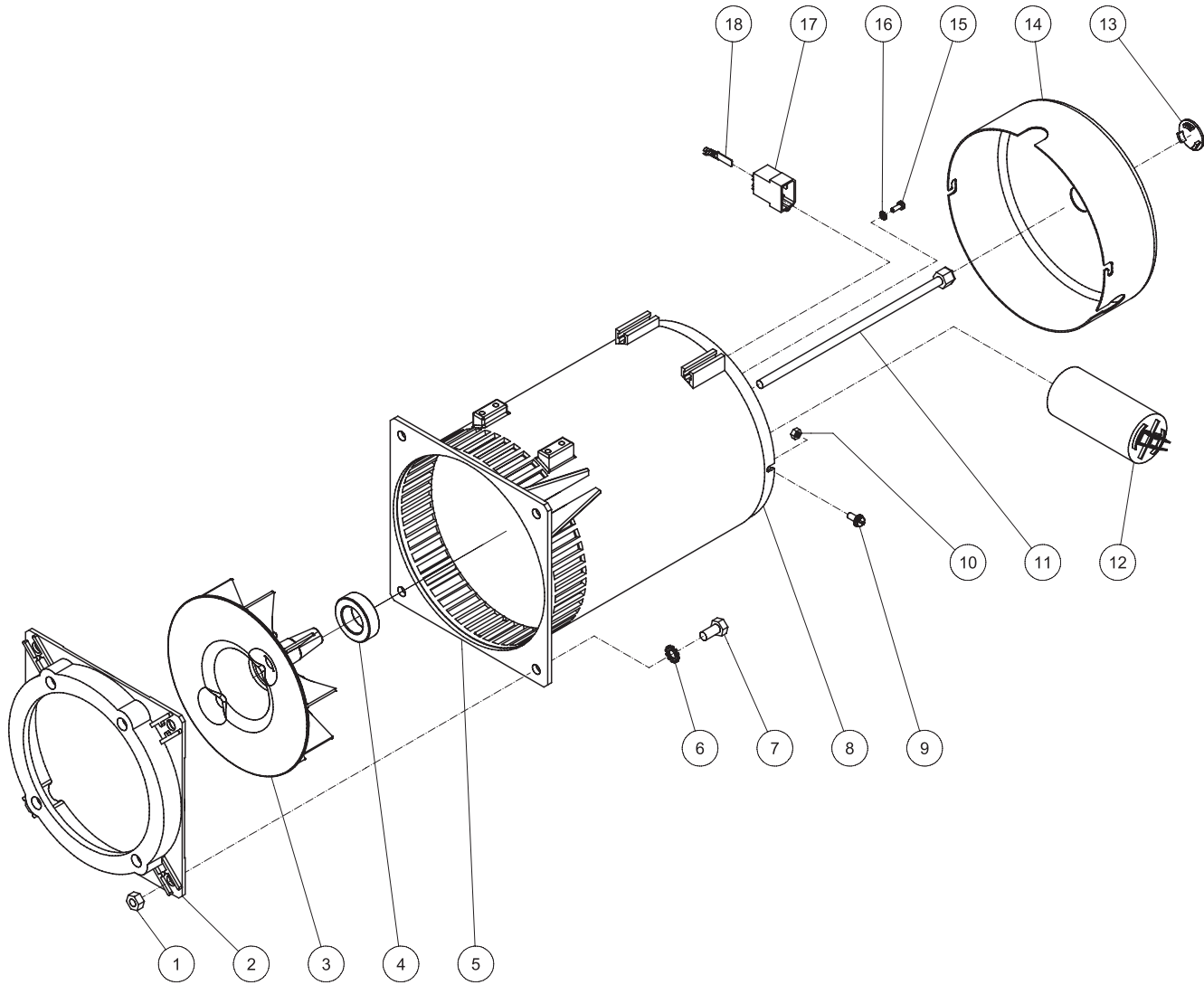


GEN-6000-0MKD-081612 KMD

## FRAME ASSEMBLY

ITEM	DESCRIPTION	Mi-T-M #	QTY	ITEM	DESCRIPTION	Mi-T-M #	QTY
1	ENGINE	1-0218	1	32	STAR WASHER	28-1009	10
2	LOCKNUT	30-0159	4	33	120V-30A RECEPTACLE	32-0832	1
3	WASHER	28-0022	24	34	GFCI DUPLEX RECEPTACLE	32-0830	2
4	LOCKNUT	30-0157	18	35	LOCKNUT	30-0152	10
5	ISOLATOR	14-0107	6	36	TERMINAL STRIP 4 PAIR	32-0227	1
6	BOLT	27-0121	4	37	DECAL- GEN-6000-0MKD (SEE 71-4011)	N/A	2
7	ISOLATION PLATE-ENG-DIESEL	5-0327A01	1	38	DECAL- SILVER STICKER	N/A	1
8	CONDUIT *(TWO FEET REQUIRED)	32-0486	1	39	WASHER	28-0002	12
9	CONDUIT ELBOW	32-0487	2	40	LOCKWASHER	29-0006	4
10	BOLT	27-0167	1	41	BOLT	27-0015	4
11	WASHER	28-0005	2	42	BOLT	27-8807	1
12	LOCKWASHER	29-0112	1	43	DECAL- GROUND PICTORIAL (SEE 71-4011)	N/A	1
13	LOCKNUT	30-0161	1	44	NUT	30-6001	3
14	BOLT	27-0067	4	45	DECAL - WARNINGS (SEE 71-4011)	N/A	1
15	WASHER	28-0003	8	46	BATTERY	32-0058	1
16	FRAME	5-0326A01	1	47	LOCKNUT	30-0155	2
17	ELECTRIC BOX	20-1102A01	1	48	BATTERY STRAP	33-0430	1
18	TOGGLE BREAKER - 20A	32-0834	2	49	BOLT	27-0017	2
19	TOGGLE BREAKER - 30A	32-0836	1	50	FUEL TANK MOUNT	14-0103	4
20	TOGGLE BREAKER - MAIN	32-1116	1	51	FUEL TANK ASSEMBLY	856-0018	1
21	TOGGLE BREAKER - 20A	32-0835	1	52	BOLT	27-0016	4
22	125/250 VOLT RECEPTACLE	32-0833	1	53	KEY SWITCH (W/ENGINE)	-	1
23	CONTROL PANEL	20-1103A01	1	54	ISOLATOR MOUNTING BRACKET	5-0236A01	2
24	DECAL- OPERATIONS (SEE 71-4011)	N/A	1	55	ISOLATION PLATE	5-0328A01	1
25	DECAL - CONTROL PANEL	N/A	1	56	LOCKWASHER	29-0110	1
26	LOCKWASHER	29-1013	22	57	GENERATOR	32-1035	1
27	SCREW	27-9574	14	58	BOLT	27-0116	4
28	HOUR METER	32-0668	1	59	BATTERY CABLE COVER	33-0004	1
29	SCREW	27-8881	10	60	BOLT	27-0066	2
30	VOLT METER	32-0838	1	-	DECAL SET - DIESEL GEN	71-4011	1
31	SCREW	27-8942	8	*MUST ORDER IN ONE FOOT LENGTHS			

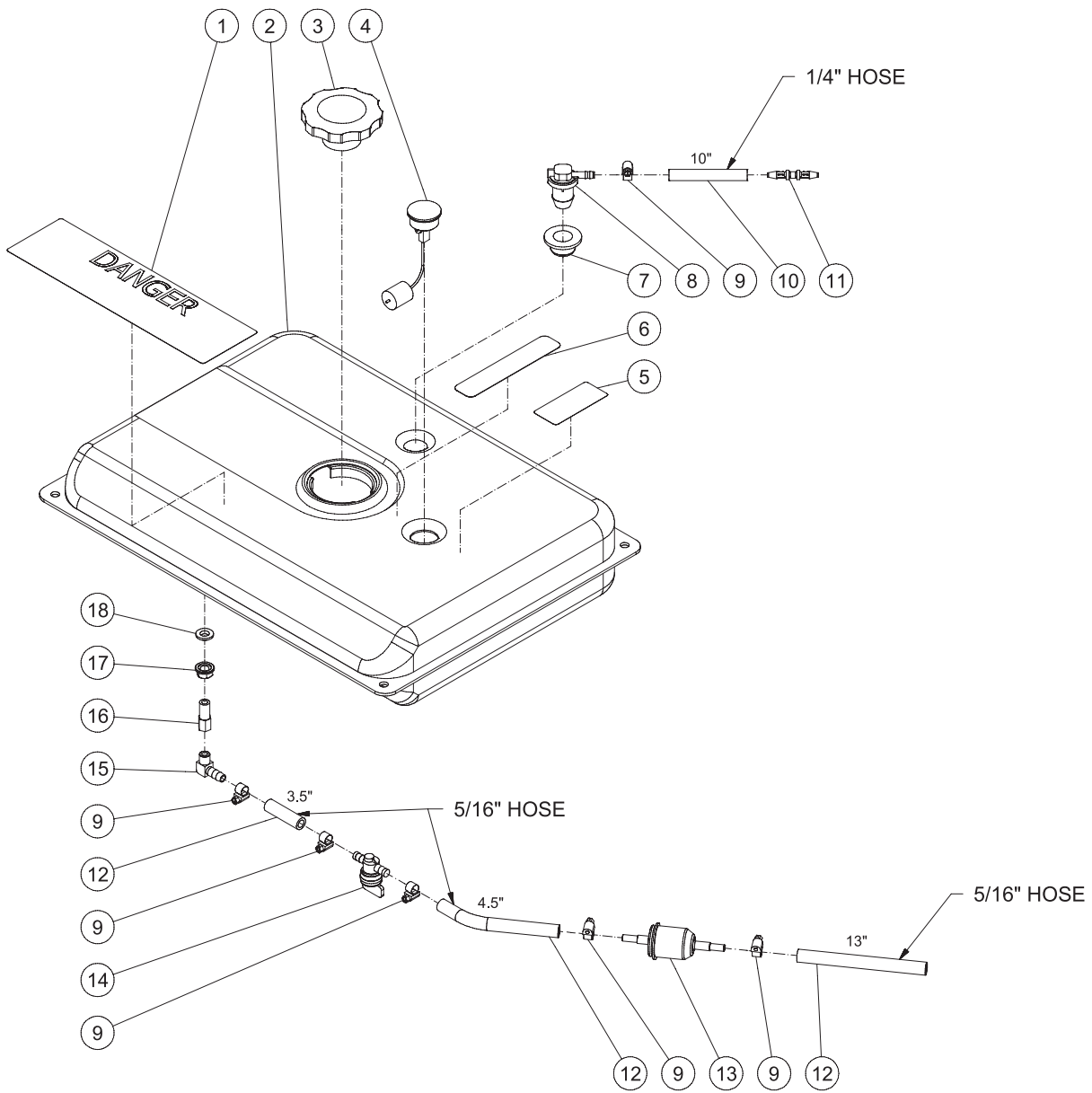
# ALTERNATOR ASSEMBLY (32-1035)



32-1035-070912-CH

32-1035 070912-CH			
ALTERNATOR (32-1035)			
ITEM	DESCRIPTION	PART #	QTY
1	NUT	30-3007	4
2	ALTERNATOR FLANGE	52-0071	1
3	FAN-ALTERNATOR	52-0093	1
4	BEARING	52-0096	1
5	BRACKET	52-0094	1
6	LOCKWASHER	29-0110	4
7	BOLT	27-8042	4
8	BRACKET	52-0095	1
9	SCREW	27-9593	2
10	NUT	30-6001	2
11	BOLT	27-9585	1
12	CAPACITOR	32-1088	1
13	ALTERNATOR CAP	52-0075	1
14	ALTERNATOR END COVER	52-0073	1
15	SCREW	27-9586	1
16	LOCKWASHER	29-1013	1
17	TERMINAL PLUG	52-0077	1
18	TERMINAL SPADE	32-0878	4

# FUEL TANK ASSEMBLY (856-0018)



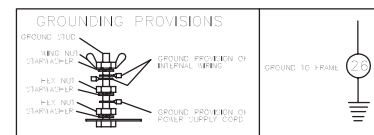
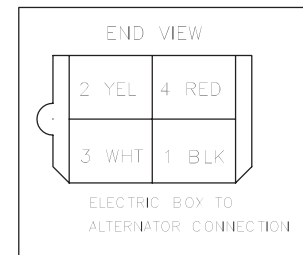
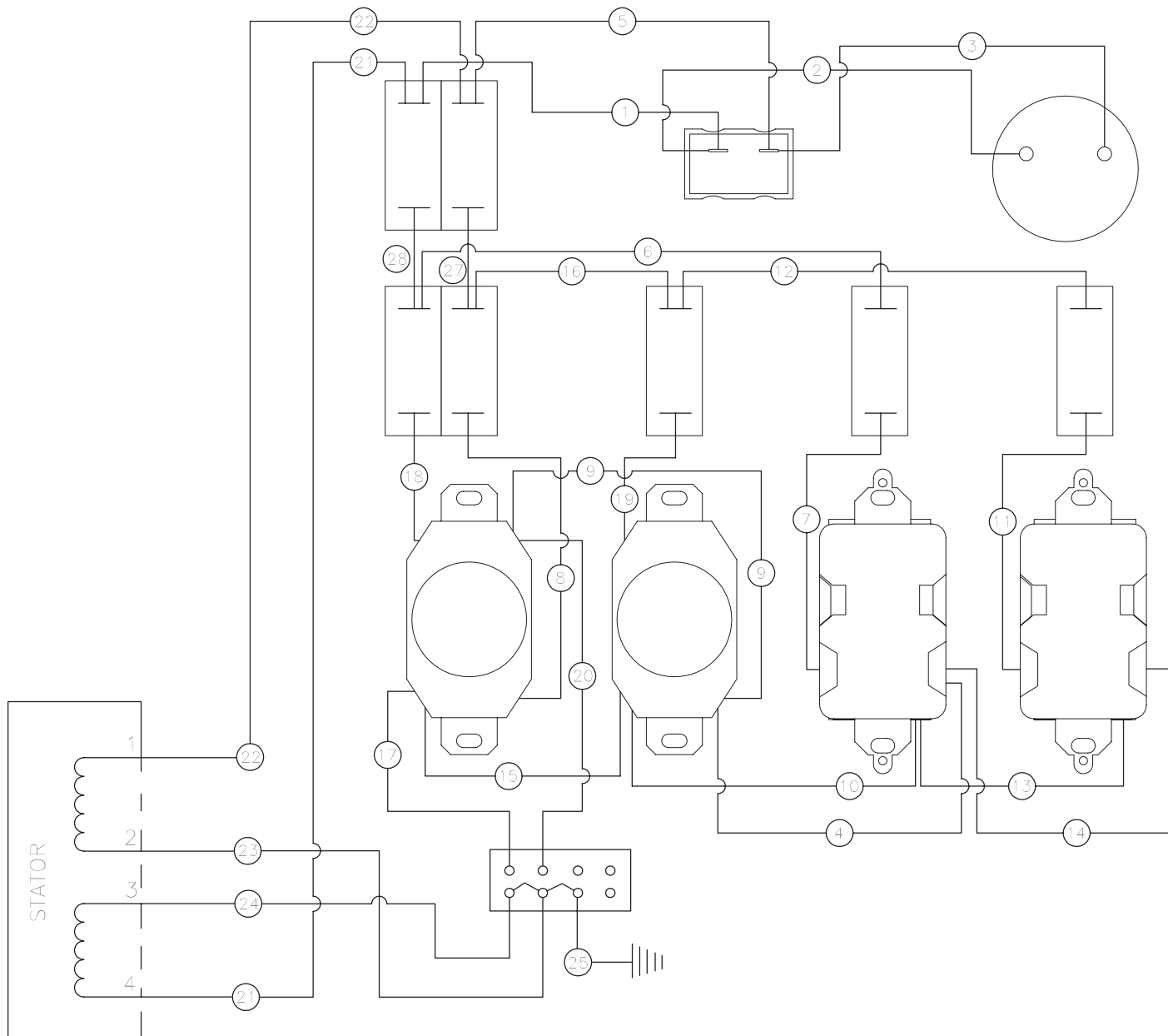
856-0018\_44\_45 080316 RJA



TANK ASSEMBLY			
ITEM	DESCRIPTION	PART #	QTY
-	COMPLETE FUEL TANK ASSEMBLY (INC. 1-9 & 16-19)	856-0018	-
1	DECAL- WARNING (SEE 71-4011)	N/A	1
2	FUEL TANK	12-0185A09	1
3	FUEL CAP	12-0177	1
4	FUEL GAUGE	12-0163	1
5	CAUTION-HEARING PROTECTION REQ	34-3479	1
6	DECAL - DIESEL ONLY (SEE 71-4011)	N/A	1
7	ROLLOVER VALVE GROMMET	62-0214	1
8	VENT	62-0216	1
9	CLAMP WORM	42-0004	6
10	FUEL HOSE *(ONE FOOT REQUIRED)	15-0008	1
11	COUPLING	55-0679	1
12	HOSE *(TWO FEET REQUIRED)	15-0031	1
13	FUEL FILTER	19-0251	1
14	FUEL SHUTOFF VALVE	22-0433	1
15	ELBOW	23-0427	1
16	NIPPLE	23-0470	1
17	NUT	N/A	1
18	GASKET	N/A	1
-	DECAL SET - DIESEL GEN	71-4011	1
*MUST ORDER IN ONE FOOT LENGTHS			

# WIRE DIAGRAM

GEN-6000 WIRE DIAGRAM-021109 CH





Manufactured by Mi-T-M  
50 MI-T-M Drive, Peosta IA 52068  
563-556-7484/ Fax 563-556-1235