



PARTS LIST FOR
WTP-S02-1MGH
WTP-S02-1MGM
SEMI-TRASH PUMPS
(AFTER SERIAL #33006283)

This Parts Listing has been compiled for your benefit. You can be assured your Mi-T-M Water Transfer Pump was constructed and designed with quality and performance in mind. Each component has been rigorously tested to insure the highest level of acceptance.

The contents of this Parts Listing are based on the latest product information available at the time of publication. Mi-T-M reserves the right to make changes in price, color, materials, equipment, specifications or models at any time without notice.

WARNING

THIS IS A PROFESSIONAL SEMI-TRASH PUMP. CAUTION SHOULD BE OBSERVED WHEN USING OR REPAIRING THIS UNIT! READ AND FOLLOW THE SAFETY WARNINGS LISTED BELOW BEFORE ATTEMPTING ANY REPAIRS ON THIS SEMI-TRASH PUMP!

SAFETY WARNINGS

1. NEVER alter or modify the equipment. Use only genuine Mi-T-M parts for repair. Failure to do so can cause hazardous operating conditions and will VOID warranty.
2. Be thoroughly familiar with controls.
3. Do not run pump without water inside the pump.

Table of Contents

NOTES4
NOTES5
SEMI-TRASH PUMP (AFTER SERIAL #33006283)6
PUMP ASSEMBLY (3-0377)8

MODEL NUMBER	WTP-S02-1MGH	WTP-S02-1MGM
Engine:	Honda	Mi-T-M
Model	GX120	212cc
Engine Type	4 Stroke, Overhead Valve, Single Cylinder	4 Stroke, Overhead Valve, Single Cylinder
Oil Type	SAE10W-30	
Oil Capacity (oz./liters)	20 / 0.59	20 / 0.6
Fuel Type	Unleaded Gasoline 86 Octane Minimum	
Fuel Capacity (gallons/liters)	0.5 / 2.0	0.95 / 3.6
Starting	Recoil	
Maximum No Load RPM	3600	
Pump		
Max GPM	162	
Connection Diameter (in.)	2	
Suction Head (ft.)	28.0	
Total Head (ft.)	115	
Weight:		
Net	62 lbs	63 lbs
Shipping	71 lbs	72 lbs
Dimensions:		
Basic L x W x H	20.5" x 17" x 16.25"	

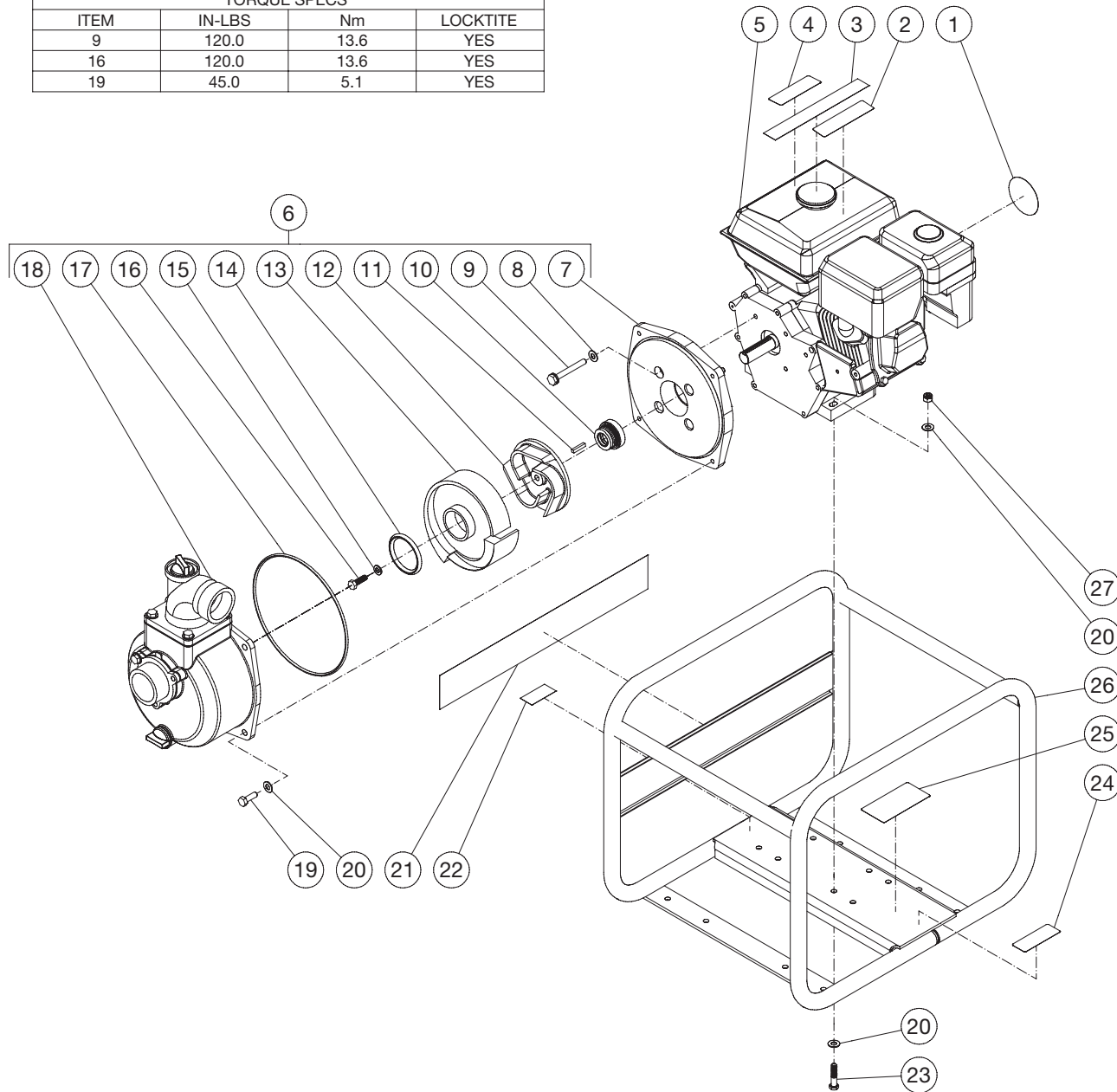
NOTES

DATE	SERIAL NUMBER	REASON FOR CHANGE
01-25-13		REMOVED SUBARU ENGINE
07-24-18	33006283	CHANGED ENGINE FROM 1-0215 TO 1-0221

NOTES

SEMI-TRASH PUMP (AFTER SERIAL #33006283)

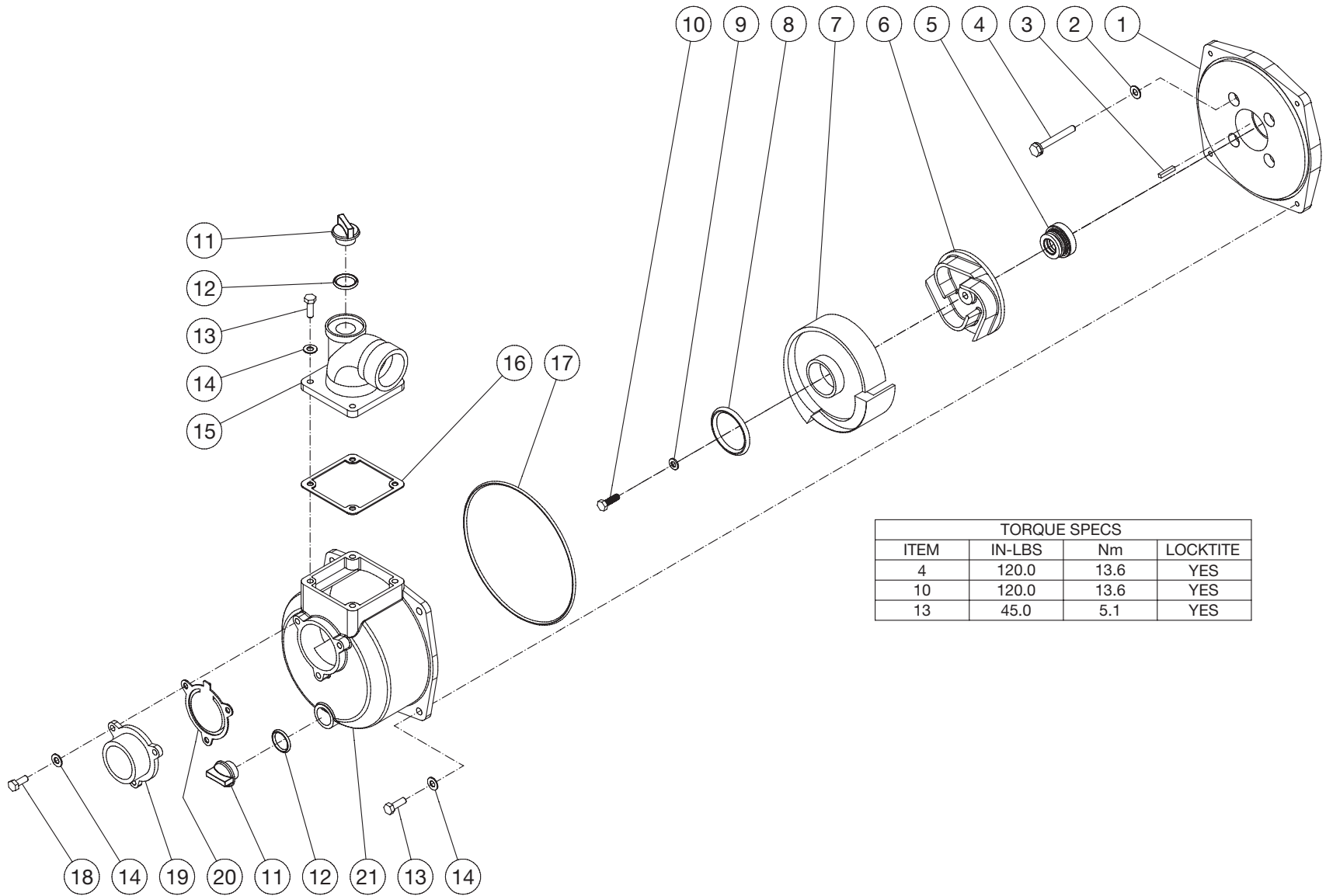
TORQUE SPECS			
ITEM	IN-LBS	Nm	LOCKTITE
9	120.0	13.6	YES
16	120.0	13.6	YES
19	45.0	5.1	YES



WTP-S02-1MGH_M 092420 ATL

WTP-S02-1MGH_M 092420 ATL			
PUMP			
ITEM	TITLE	PART#	QTY
1	DECAL - REWIND 212CC (SEE 71-0135) (1MGM)	N/A	1
2	DECAL - RISK OF BURNS (SEE 71-0135)	N/A	1
3	DECAL - CHECK OIL	N/A	1
4	DECAL - RISK OF FIRE (SEE 71-0135)	N/A	1
5	ENGINE (1MGH)	1-0012	1
-	ENGINE (1MGM)	1-0221	1
6	PUMP	3-0377	1
7	ENGINE FLANGE	46-1566	1
8	WASHER	N/A	4
9	BOLT	27-9577	4
10	SEAL	46-1576	1
11	KEY	43-0082	1
12	IMPELLER	46-1497	1
13	DIFFUSER	46-1567	1
14	O-RING	N/A	1
15	WASHER	46-1577	1
16	BOLT	27-0092	1
17	O-RING	N/A	1
18	PUMP BODY	N/A	1
19	BOLT	27-8033	4
20	WASHER	28-0003	19
21	Mi-T-M DECAL	N/A	1
22	DECAL - MADE IN USA	34-3553	1
23	BOLT	27-0069	4
24	DECAL - PROP 65 (SEE 71-0135)	N/A	1
25	DECAL- SILVER STICKER	N/A	1
26	FRAME	5-0319A18	1
27	LOCKNUT	30-0157	4
-	DECAL SET	71-0135	1

PUMP ASSEMBLY (3-0377)



TORQUE SPECS			
ITEM	IN-LBS	Nm	LOCKTITE
4	120.0	13.6	YES
10	120.0	13.6	YES
13	45.0	5.1	YES

3-0377 022018 JRC

PUMP ASSEMBLY			
ITEM	DESCRIPTION	PART #	QTY
1	ENGINE FLANGE	46-1566	1
2	WASHER (SEE KIT 70-0604)	SEE KIT	4
3	KEY	43-0082	1
4	BOLT	27-9577	4
5	SEAL (SEE KIT 70-0604)	46-1576	1
6	IMPELLER	46-1497	1
7	DIFFUSER	46-1567	1
8	O-RING (SEE KIT 70-0604)	SEE KIT	1
9	WASHER	46-1577	1
10	BOLT	27-0092	1
11	PLUG	39-0247	2
12	O-RING (SEE KIT 70-0604)	SEE KIT	2
13	BOLT	27-8033	8
14	WASHER	28-0003	11
15	OUTLET FLANGE	46-1499	1
16	GASKET (SEE KIT 70-0604)	46-1570	1
17	O-RING (SEE KIT 70-0604)	SEE KIT	1
18	BOLT	27-8032	3
19	INLET FLANGE	46-1498	1
20	CHECK VALVE (SEE KIT 70-0604)	46-1569	1
21	PUMP BODY	46-1568	1

REPLACEMENT KITS			
KIT #	DESCRIPTION	ITEMS	# OF ASSEMBLIES
70-0604	SIC SEAL KIT	2,5,8,12,16,17,20	1

Manufactured by Mi-T-M
50 Mi-T-M Drive, Peosta IA 52068
563-556-7484/ Fax 563-556-1235