

PARTS LIST FOR  
***HEO SERIES***  
HOT WATER PRESSURE WASHERS  
(AFTER SERIAL #15083509)

PUMP OIL GRADE: SAE20 OR 30 NON-DETERGENT  
PUMP OIL CAPACITY: 41 OZ.  
FUEL NOZZLE:  
HEO-2004: 2.25 80°B DELAVAN  
HEO-3004: 2.00 80°B DELAVAN  
HEO-3005: 2.50 80°B DELAVAN

BTU INPUT:  
HEO-2004: 386,400  
HEO-3004: 343,000  
HEO-3005: 428,400

PRESSURE NOZZLE SIZE:  
HEO-2004: 6.0  
HEO-3004: 4.5  
HEO-3005: 5.5

This Parts Listing has been compiled for your benefit. You can be assured your hot water pressure washer was constructed and designed with quality and performance in mind. Each component has been rigorously tested to insure the highest level of acceptance.

The contents of this Parts Listing are based on the latest product information available at the time of publication. The manufacturer reserves the right to make changes in price, color, materials, equipment, specifications or models at any time without notice.

**WARNING**

THIS IS A PROFESSIONAL HIGH PRESSURE, HOT WATER PRESSURE WASHER. CAUTION SHOULD BE OBSERVED WHEN INSTALLING, USING OR REPAIRING THIS UNIT! READ AND FOLLOW THE SAFETY WARNINGS BEFORE ATTEMPTING ANY REPAIRS ON THIS PRESSURE WASHER!

## SAFETY WARNINGS

1. NEVER alter or modify the equipment. Use only genuine manufacturer parts for repair of your pressure washer. Failure to do so can cause hazardous operating conditions and will VOID warranty. Repairs performed on this pressure washer should be done by a qualified serviceman in accordance with local, state and national regulations.
2. This unit has multiple safety devices which should never be altered, modified, removed or made inoperable. If a device fails, replace immediately with only genuine manufacturer replacement parts.
3. Electrical System:  
The unit must be connected to a properly grounded electrical source which provides the correct voltage and adequate fuse protection. Disconnect from power source when making repairs. Never assume the pressure washer is safe to work on just because it is not operating. It could restart at any time.  
Never operate pressure washer with electrical enclosures open, removed or damaged. Do not allow metal components of the pressure washer to come in contact with live electrical components.
4. Do not operate the unit without all protective covers in place. Before servicing the unit, always shut off the unit and trigger the gun to release trapped pressure. Know how to stop the pressure washer and bleed pressures quickly. Be thoroughly familiar with controls. Be sure any accessory items and system components being used will withstand the pressure developed.



## SPECIFICATIONS FOR HEO-2004

MODEL NUMBER	HEO-2004-0E2G	HEO-2004-0E3G	HEO-2004-0E4G	HEO-2004-0E8G	HEO-2004-0E9G
Operating Pressure (PSI/Bar):	2000/137.9				
Water Volume (GPM/lpm):	4.2/15.9				
Outlet water temperature (F/C)	140°F / 78°C (+/- 10°F) rise above inlet ambient (210°F / 99°C maximum)				
Motor:	ODP				
Horsepower	6.0				
Phase	1	3		1	3
Voltage	230		460	208	
Amperage	27.1	17.6	8.8	29.8	20.1
Service Factor	1.15				
Pump:	Belt Driven, Oil Bath, Triplex Piston				
Oil Type	SAE20 or 30 Non-Detergent				
Oil Capacity (oz./liters)	41/1.2				
Plungers	Ceramic				
Manifold	Forged Brass				
Valves	Stainless Steel				
Unloader:	Pressure Trapping				
Heat Dump Valve:	Relieves heated water during unloader bypass stage				
Water System:					
Inlet Water Strainer	Removable thimble for inspection and cleaning of stainless steel screen				
Float Tank Strainer	Removable thimble for inspection and cleaning of stainless steel screen				
Float Tank Capacity (gal./liter)	4.75/18.0				
Burner					
Fuel Type	No. 1 or No. 2 fuel oil, diesel or kerosene				
Fuel Filter/ Water Separator	Spin On (10 Micron) Filter / E-Z Water Drain				
Fuel Pump	Two Line, Single Stage				
Fuel Pressure (PSI / BAR)	150 / 10.4				
Fuel Nozzle	2.25 80° B Delavan				
Fuel Consumption (GPH / LPH)	2.76 / 10.4 Cont. Burner				
Burner Electrical System:					
Voltage	230		115		230
Amps	1.6		3.2		1.6
Heat Exchanger:	Vertical, Oil Fired, Pancake Coil				
BTU Input	386,400				
Efficiency	75% with No. 2 fuel oil/diesel				
Smoke Density	0-3 per ASTM D2156				
Safety System:					
Pressure Switch	Shuts Off Burner Fuel Supply Upon Trigger Release				
Fuel Solenoid	115 Volt, controls fuel supply to burner				
Safety Relief	Relieves Excessive System Pressure				
High Pressure Nozzle Size:	6.0				
Unit Net Weight (Lbs/kg):	724/329				
Unit Shipping Weight (Lbs/kg):	844/383				
Unit Net Dimension (In/cm):	55.5L x 29W x 49.75H/143.5L x 73.5W x 126.5H				
Unit Shipping Dimension (In/cm):	57.5L x 35.5W x 59.5H/146L x 90W x 151H				

## SPECIFICATIONS FOR HEO-3004

MODEL NUMBER	HEO-3004-0E2G	HEO-3004-0E3G	HEO-3004-0E4G	HEO-3004-0E8G	HEO-3004-0E9G
Operating Pressure (PSI/Bar):	3000 / 206.8				
Water Volume (GPM/lpm):	3.9 / 14.7				
Outlet Water Temperature (F/C)	140°F / 78°C (+/- 10°F) rise above inlet ambient (210°F / 99°C maximum)				
Motor:	ODP				
Horsepower	8.0				
Phase	1	3		1	3
Voltage	230		460	208	
Amperage	38.6	21.6	10.8	42.1	24.6
Service Factor	1.15				
Pump:	Belt Driven, Oil Bath, Triplex Piston				
Oil Type	SAE20 or 30 Non-Detergent				
Oil Capacity (oz. / liter)	41 / 1.2				
Plungers	Ceramic				
Manifold	Forged Brass				
Valves	Stainless Steel				
Unloader	Pressure Trapping				
Heat Dump Valve	Relieves heated water during unloader bypass stage				
Water System:					
Inlet Water Strainer	Removable Thimble for inspection and cleaning of Stainless Steel Screen				
Float Tank Strainer	Removable Thimble for inspection and cleaning of Stainless Steel Screen				
Float Tank Capacity (Gal. / Liter)	4.75 / 18.0				
Burner					
Fuel Type	No. 1 or No. 2 Fuel Oil, Diesel or Kerosene				
Fuel Filter/ Water Separator	Spin On (10 Micron) Filter / E-Z Water Drain				
Fuel Pump	Two Line, Single Stage				
Fuel Pressure (PSI / BAR)	150 / 10.4				
Fuel Nozzle	2.00 80° B Delavan				
Fuel Consumption (GPH / LPH)	2.45 / 9.3 Cont. Burning				
Burner Electrical System					
Voltage	230		115		230
Amps	1.6		3.2		1.6
Heat Exchanger	Vertical, Oil Fired, Pancake Coil				
BTU Input	343,000				
Efficiency	75% with #2 Fuel Oil / Diesel				
Smoke Density	0-3 per ASTM D2156				
Safety System					
Pressure Switch	Shuts off burner fuel supply upon trigger release				
Fuel Solenoid	115 Volt, controls fuel supply to burner				
Safety Relief	Relieves excess system pressure				
High Pressure Nozzle	4.5				
Unit Net Weight (Lbs/Kg)	758 / 344				
Unit Shipping Weight (Lbs/Kg)	878 / 398				
Unit Net Dimensions (In/Cm)	55.5L x 29W x 49.75H / 143.5L x 73.5W x 126.5H				
Unit Shipping Dimensions (In/Cm)	57.5L x 35.5W x 59.5H / 146L x 90W x 151H				

## SPECIFICATIONS FOR HEO-3005

MODEL NUMBER	HEO-3005-0E2G	HEO-3005-0E3G	HEO-3005-0E4G	HEO-3005-0E8G	HEO-3005-0E9G
Operating Pressure (PSI/Bar):	3000 / 206.8				
Water Volume (GPM/lpm):	4.8 / 18.2				
Outlet Water Temperature (F/C)	140°F / 78°C (+/- 10°F) rise above inlet ambient (210°F / 99°C maximum)				
Motor:	ODP				
Horsepower	10.0				
Phase	1	3		1	3
Voltage	230		460		208
Amperage	45.6	26.6	13.3	50.3	30.6
Service Factor	1.15				
Pump:	Belt Driven, Oil Bath, Triplex Piston				
Oil Type	SAE20 or 30 Non-Detergent				
Oil Capacity (oz. / liter)	41 / 1.2				
Plungers	Ceramic				
Manifold	Forged Brass				
Valves	Stainless Steel				
Unloader	Pressure Trapping				
Heat Dump Valve	Relieves heated water during unloader bypass stage				
Water System:					
Inlet Water Strainer	Removable Thimble for inspection and cleaning of Stainless Steel Screen				
Float Tank Strainer	Removable Thimble for inspection and cleaning of Stainless Steel Screen				
Float Tank Capacity (Gal. / Liter)	4.75 / 18.0				
Burner					
Fuel Type	No. 1 or No. 2 Fuel Oil, Diesel or Kerosene				
Fuel Filter/ Water Separator	Spin On (10 Micron) Filter / E-Z Water Drain				
Fuel Pump	Two Line, Single Stage				
Fuel Pressure (PSI / BAR)	150 / 10.4				
Fuel Nozzle	2.50 80° B Delavan				
Fuel Consumption (GPH / LPH)	3.06 / 11.58 Cont. Burning				
Burner Electrical System					
Voltage	230	115		230	
Amps	1.6	3.2		1.6	
Heat Exchanger	Vertical, Oil Fired, Pancake Coil				
BTU Input	428,400				
Efficiency	75% with #2 Fuel Oil / Diesel				
Smoke Density	0-3 per ASTM D2156				
Safety System					
Pressure Switch	Shuts off burner fuel supply upon trigger release				
Fuel Solenoid	115 Volt, controls fuel supply to burner				
Safety Relief	Relieves excess system pressure				
High Pressure Nozzle	5.5				
Unit Net Weight (Lbs/Kg)	758 / 344				
Unit Shipping Weight (Lbs/Kg)	878 / 398				
Unit Net Dimensions (In/Cm)	55.5L x 29W x 49.75H / 143.5L x 73.5W x 126.5H				
Unit Shipping Dimensions (In/Cm)	57.5L x 35.5W x 59.5H / 146L x 90W x 151H				





## GENERAL THEORY OF OPERATION

**WATER FLOW:** Connect a pressurized water source to the INLET GARDEN HOSE CONNECTION (1) and turn on the water supply. The water will flow through a WATER STRAINER (2) and then through a FLOAT VALVE (3) into a WATER FLOAT TANK (5). If the water rises above the OVERFLOW HOLES (4), the excess water will drain out of the float tank.

The water is then drawn through the WATER STRAINER (6) and into the TRIPLEX HIGH PRESSURE PUMP (7) which has an UNLOADER (8) that bypasses the water when the trigger gun is closed. To protect the pump from heated water during this bypass stage, a HEAT DUMP VALVE (9) will open at 125°F/52°C allowing the heated water to escape. The Heat Dump Valve automatically resets when the water cools. Attached to the pump is a PRESSURE SWITCH (10) that controls the fuel supply to the burner.

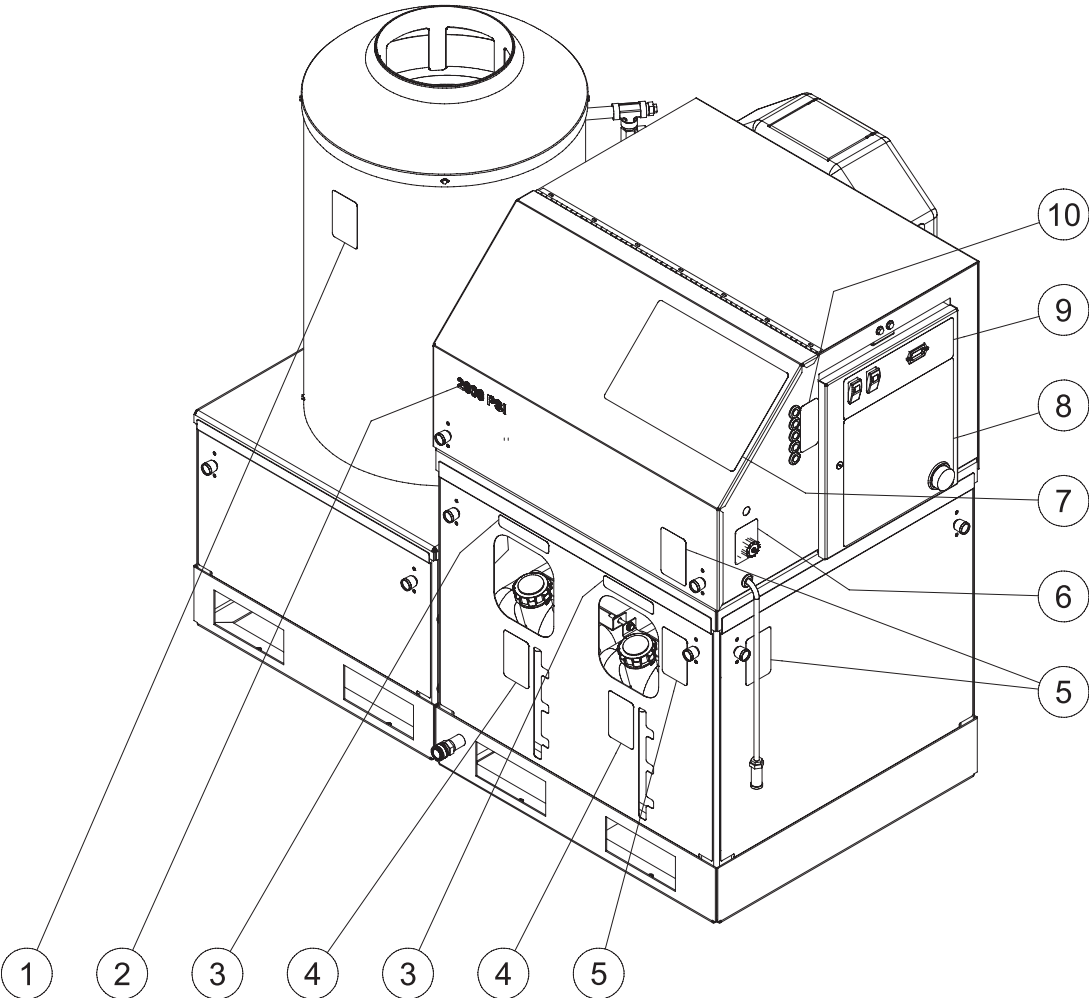
When using detergents, the solution passes through the DETERGENT STRAINER (11) located on the DETERGENT HOSE (12). The detergent solution then travels through the DETERGENT METERING VALVE (13).

From there, the water flows through the HEAT EXCHANGER INLET (14) where it is heated when the burner is on. As the water exits the HEAT EXCHANGER OUTLET (15), it enters a safety system which protects the operator from danger. The safety system contains a HIGH PRESSURE LIMIT SWITCH (16) which senses the water temperature and shuts off the fuel supply to the burner if the water gets too hot. If the unloader fails to bypass water or the burner remains on when the trigger gun is closed, the SAFETY RELIEF VALVE (17) will relieve and allow water to exit safely.

The heated water then flows through the HIGH PRESSURE HOSE (18) and to the TRIGGER GUN ASSEMBLY (19) which allows the operator to control the water supply. When the trigger gun is open, the water flows through the ADJUSTABLE PRESSURE DUAL LANCE (20) and exits the NOZZLES (21).

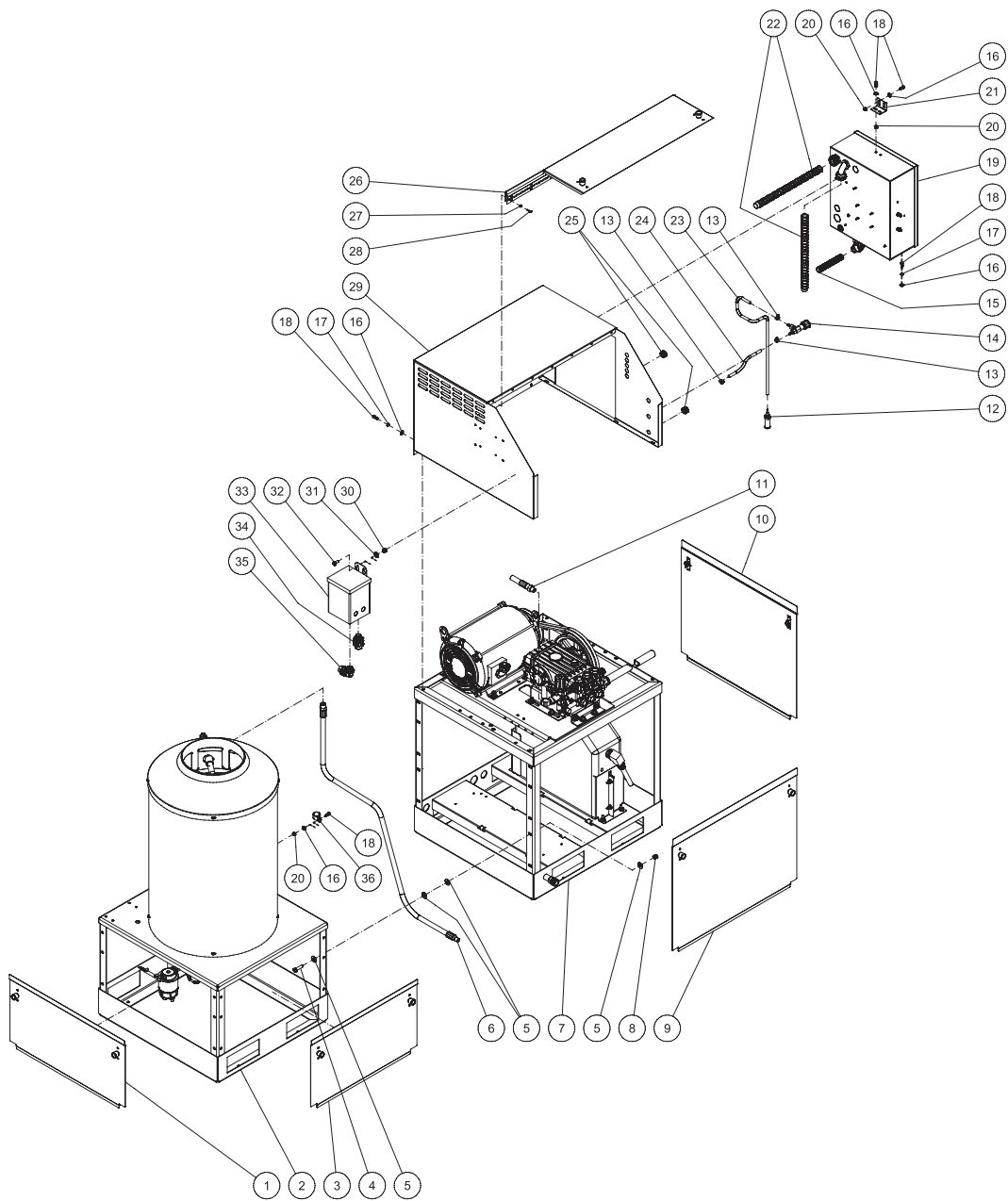
**FUEL FLOW:** The fuel pump draws fuel from the FUEL TANK (22) through a replaceable FUEL FILTER/WATER SEPARATOR (23) and into the FUEL PUMP (24). Fuel exits the fuel pump, into a FUEL SOLENOID VALVE (25) which controls fuel flow to the FUEL NOZZLE (26) where it ignites and burns in the heat exchanger. Heat and fumes exit the coil through the EXHAUST STACK (27).

# DECAL PLACEMENT



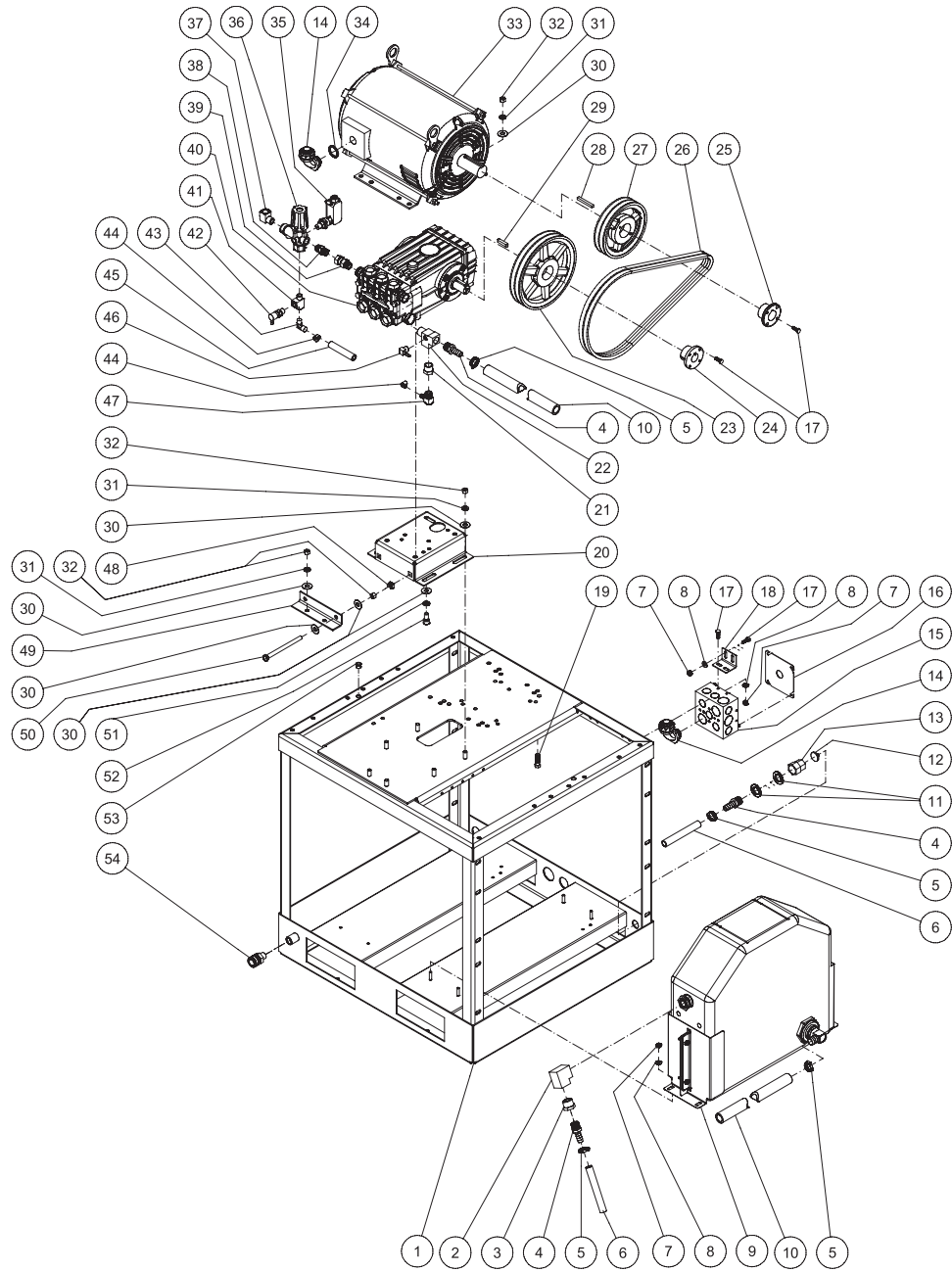
HEO DECAL PLACEMENT 111309-CH			
DECAL PLACEMENT			
ITEM	DESCRIPTION	Mi-T-M #	QTY
1	DECAL - WARNING HOT SURFACES	N/A	1
2	DECAL - DIE CUT 2000 PSI (HEO-2004)	34-2209	1
-	DECAL - DIE CUT 3000 PSI (HEO-3004/3005)	34-2214	1
3	DECAL - DIESEL ONLY (HX-0218)	N/A	2
4	DECAL- CAUTION RISK OF FIRE (HX-0218)	N/A	2
5	DECAL - WARNING; RISK OF INJURY	N/A	3
6	DECAL - DETERGENT VALVE	N/A	1
7	DECAL - WARNING/CAUTION	N/A	1
8	DECAL - OPERATIONS	N/A	1
9	DECAL - PUMP/BURN/DET/METER	N/A	1
-	DECAL - PUMP/BURN/DET	N/A	1
-	DECAL - PUMP/BURN	N/A	1
-	DECAL - PUMP/BURN/METER	N/A	1
10	DECAL - NOZZLES	N/A	1
-	DECAL SET - HEG (INC 1, 3-10)	34-9021	1

# FRAME ASSEMBLY



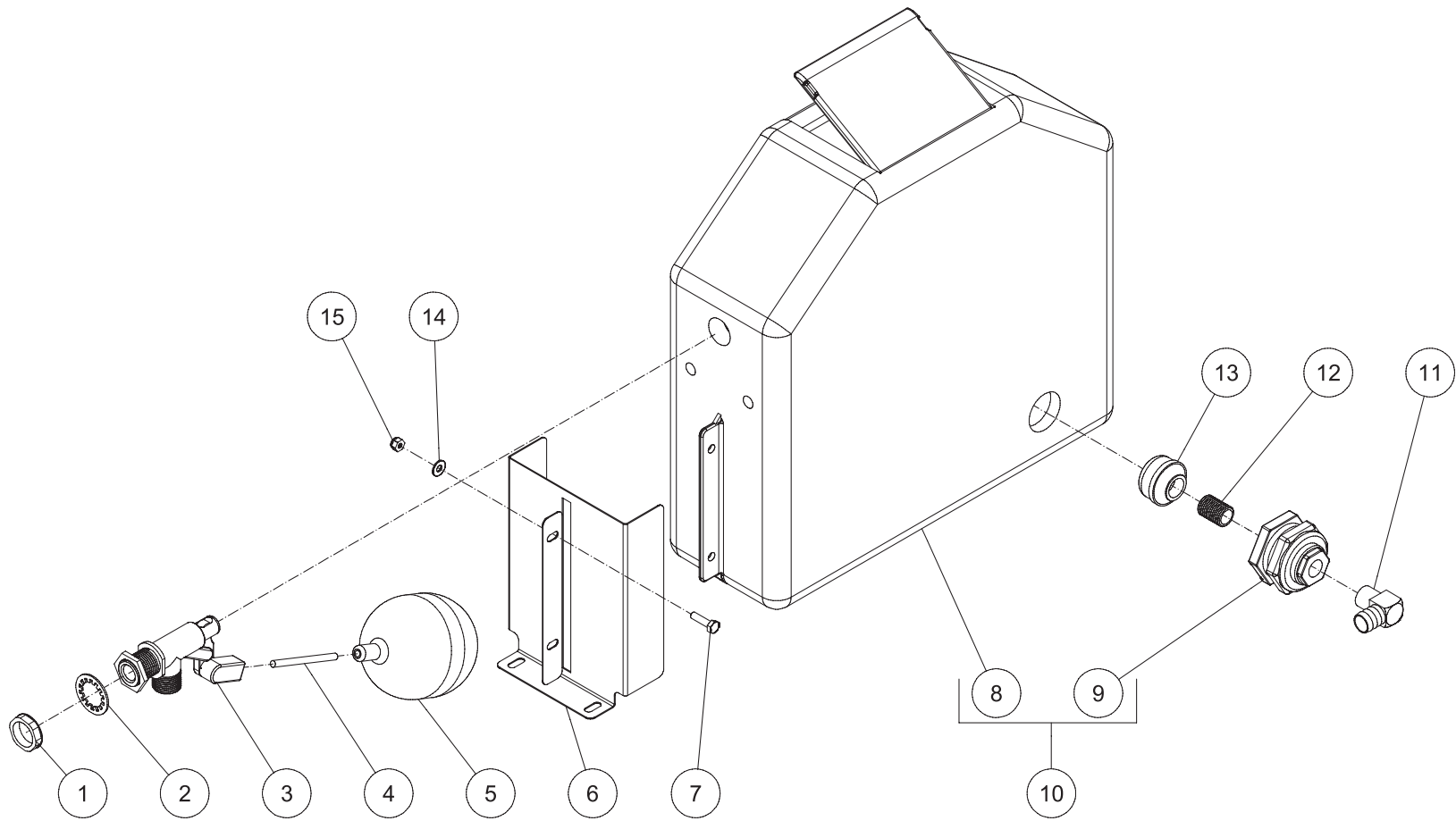
HEO UNIT ASSY 091409-CH			
HEO UNIT ASSEMBLY			
ITEM	DESCRIPTION	PART #	QTY
1	PANEL	850-0312	1
2	BURNER ASSEMBLY	N/A	1
3	PANEL	850-0311	1
4	BOLT	27-0119	4
5	WASHER	28-0023	16
6	HIGH PRESSURE HOSE	15-0186	1
7	HEG MOTOR BASE ASSEMBLY	N/A	1
8	LOCKNUT	30-0159	4
9	PANEL	850-0309	1
10	PANEL	850-0310	1
11	HIGH PRESSURE HOSE	15-0194	1
12	STRAINER	19-0056	1
13	CLAMP WORM	42-0004	3
14	DETERGENT VALVE	22-0226	1
15	CONDUIT FLEX *(FOUR FEET REQUIRED)	32-0253	1
16	WASHER	28-0002	14
17	LOCKWASHER	29-0006	9
18	BOLT	27-0015	14
19	HEO ELECTRIC BOX ASSY - 1 PHASE	N/A	1
-	HEO ELECTRIC BOX ASSY - 3 PHASE	N/A	1
20	LOCKNUT	30-0155	5
21	BRACKET	20-0626A18	1
22	CONDUIT FLEX *(FOUR FEET REQUIRED)	32-0486	2
23	HOSE *(SIX FEET REQUIRED)	15-0021	1
24	HOSE *(ONE FOOT REQUIRED)	15-0079	1
25	GROMMET	33-0001	6
26	CABINET DOOR	850-0308	1
27	STAR WASHER	28-1009	7
28	SCREW	27-8835	7
29	CABINET	20-0632A18	1
30	LOCKNUT (HEO-2004; 3004; 3005-0E4G)	30-0157	3
31	WASHER (HEO-2004; 3004; 3005-0E4G)	28-0022	3
32	BOLT (HEO-2004; 3004; 3005-0E4G)	27-0066	3
33	TRANSFOMER (HEO-2004; 3004; 3005-0E4G)	32-1063	1
34	CONDUIT FITTING (HEO-2004; 3004; 3005-0E4G)	32-0255	1
35	CONDUIT ELBOW (HEO-2004; 3004; 3005-0E4G)	32-0254	1
36	CLIP	33-0291	1
* MUST OREDER IN ONE FOOT LENGTHS			

# MOTOR BASE ASSEMBLY



MOTOR BASE ASSEMBLY											
REF. #	DESCRIPTION	PART #	QTY.	REF. #	DESCRIPTION	PART #	QTY.	REF. #	DESCRIPTION	PART #	QTY.
1	Motor Pump Base Assembly	5-0173A18	1	20	Pump Hat	5-0153A18	1	-	Motor (HEO-3005-0E2G)	2-0132	1
2	Elbow	23-0391	1	21	Bushing	23-0016	1	-	Motor (HEO-3005-0E3G/4G)	2-0112	1
3	Reducer	23-0023	1	22	Street Tee	23-0388	1	-	Motor (HEO-3005-0E8G)	2-0130	1
4	Hose Barb (HEO-2004/3004)	23-0045	3	23	Sheave	10-0007	1	-	Motor (HEO-3005-0E9G)	2-0131	1
-	Hose Barb (HEO-3005)	23-0045	2	24	Bushing	9-0017	1	34	Gasket	26-0314	1
-	Hose Barb (HEO-3005)	23-0036	1	25	Bushing (HEO-2004)	9-0010	1	35	Pressure Switch	22-0171	1
5	Worm Clamp (HEO-3005)	42-0011	2	-	Bushing (HEO-3004/3005)	9-0008	1	36	Unloader Assembly	850-0252	1
-	Worm Clamp (HEO-3005)	42-0003	2	26	Belt (HEO-3005)	11-0005	2	37	Elbow	23-0034	1
-	Worm Clamp (HEO-2004/3004)	42-0011	4	-	Belt (HEO-2004)	11-0008	2	38	Nipple	24-0002	1
6	Bypass Hose *(Three Feet Required)	15-0007	1	-	Belt (HEO-3004)	11-0057	2	39	Swivel	24-0037	1
7	Locknut	30-0155	8	27	Motor Sheave (HEO-3005)	10-0104	1	40	Pump	3-0202	1
8	Washer	28-0002	8	-	Motor Sheave (HEO-2004)	10-0036	1	41	Street Tee	23-0127	1
9	Float Tank Assembly (See Exploded Drawing)	N/A Sep.	1	-	Motor Sheave (HEO-3004)	10-0041	1	42	Thermo Valve	22-0408	1
10	By-pass Hose *(Three Feet Required) (HEO-3005)	15-0033	1	28	Keystock w/Motor	43-0078	1	43	Elbow	23-0123	1
-	By-pass Hose *(Three Feet Required) (HEO-2004/3004)	15-0007	1	29	Pump Key	43-0048	1	44	Clamp Worm	42-0004	2
11	Washer	28-0051	2	30	Flatwasher	28-0023	15	45	Hose *(One Foot Required)	15-0020	1
12	Inlet Washer Filter w/Screen	19-0001	1	31	Lockwasher	29-0008	10	46	Elbow	23-0054	1
13	Garden Hose Swivel	23-0001	1	32	Hex Nut	30-0006	12	47	Elbow	23-0074	1
14	Conduit Straight (HEO-2004-0E3G/4G)	32-0488	1	33	Motor (HEO-2004-0E2G)	2-0107	1	48	Clip Nut	30-6025	2
-	Conduit Elbow (HEO-2004-0E3G/4G)	32-0487	1	-	Motor (HEO-2004-0E3G/4G)	2-0108	1	49	Tension Bracket	20-0584A18	1
-	Conduit Elbow	32-0487	2	-	Motor (HEO-2004-0E8G)	2-0124	1	50	Bolt	27-0133	2
15	Electrical Junction Box	32-0310	1	-	Motor (HEO-2004-0E9G)	2-0127	1	51	Lockwasher	29-0055	4
16	Cover	33-0017	1	-	Motor (HEO-3004-0E2G)	2-0109	1	52	Bolt	27-8471	4
17	Bolt	27-0015	6	-	Motor (HEO-3004-0E3G/4G)	2-0110	1	53	Snap Bushing	9-0028	1
18	E-Box Bracket	20-0626A18	1	-	Motor (HEO-3004-0E8G)	2-0125	1	54	Quick Connect Socket	17-0007	1
19	Bolt	27-0118	4	-	Motor (HEO-3004-0E9G)	2-0129	1	*Must Order in One Foot Lengths			

# FLOAT TANK ASSEMBLY

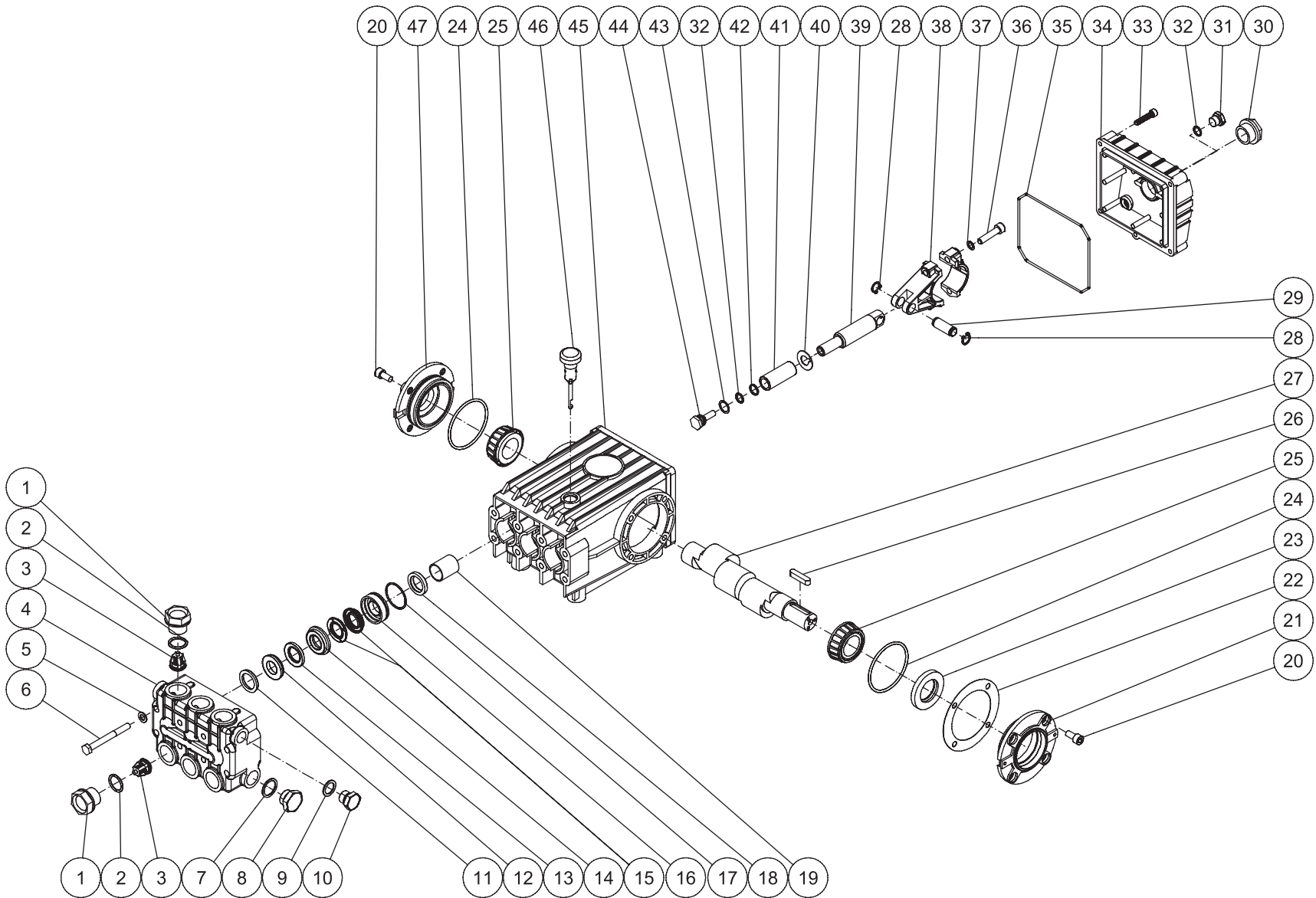


HEO FLOAT TANK ASSY-100809-CH



HEO FLOAT TANK ASSY-100809-CH			
FLOAT TANK ASSEMBLY			
REF. #	DESCRIPTION	PART #	QTY.
1	Locknut	23-0428	1
2	Lockwasher	29-0074	1
3	Float Valve	22-0317	1
4	Rod	31-3320	1
5	Float Ball	22-0059	1
6	Float Tank Mounting Bracket	20-0586A18	2
7	Bolt	27-0016	4
8	Float Tank	N/A	1
9	Bulkhead	55-0886	1
10	Float Tank Assembly (Inc. 8-9)	850-0350	1
11	Elbow (HEO-3005)	23-0037	1
-	Elbow (HEO-2004/3004)	23-0418	1
12	Close Nipple	23-0019	1
13	Strainer	19-0203	1
14	Washer	28-0002	4
15	Hex Nut	30-0155	4

# PUMP ASSEMBLY (3-0202)



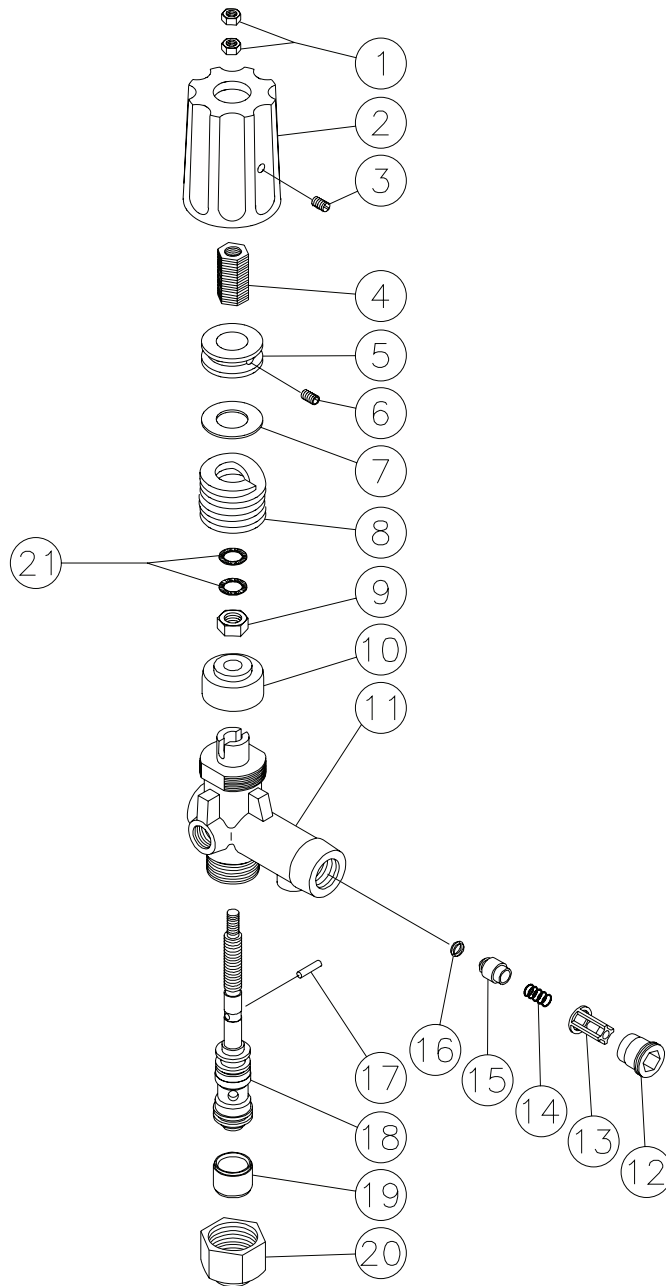
3-0202\_3-0203-010408-JJT

## PUMP ASSEMBLY

REF. #	DESCRIPTION	PART #	QTY.	REF. #	DESCRIPTION	PART #	QTY.	REF. #	DESCRIPTION	PART #	QTY.
1	Valve Plug	46-0889	6	18	Oil Seal	26-0047	3	35	O-ring Cover	25-0339	1
2	O-ring	25-0012	6	19	Bushing	9-0029	3	36	Bolt	27-8435	6
3	Valve Assembly (See 70-0009)	N/A Sep.	6	20	Bolt	27-8431	8	37	Lockwasher	29-0154	6
4	Manifold	46-0890	1	21	Crankcase Open Cover	46-0296	1	38	Connecting Rod	46-0051	3
5	Flatwasher	28-1039	8	22	Shim	46-0113	1	39	Piston Rod	46-0056	3
6	Bolt	27-8185	8	23	Oil Seal	26-0049	1	40	Washer	46-0146	3
7	Washer	28-1038	2	24	O-ring	25-0013	2	41	Plunger	46-0052	3
8	Plug	39-0019	2	25	Bearing	48-0012	2	42	Back-up Ring	46-0109	3
9	Washer	28-1002	2	26	Key	43-0048	1	43	Washer	28-0400	3
10	Plug	39-0018	2	27	Crankshaft	N/A	1	44	Bolt	46-0069	3
11	O-ring (See 70-0030)	N/A Sep.	3	28	Retaining Ring	46-0103	6	45	Crankcase	46-0047	1
12	V-Packing	26-0098	3	29	Connecting Rod Pin	43-0032	3	46	Oil Dip Stick	46-0144	1
13	Ring	25-0207	3	30	Oil Level Indicator	46-0114	1	47	Crankcase Cover	46-0336	1
14	High Pressure Intermediate Seal Retainer	46-0659	3	31	Plug	39-0017	1		Valve Kit (6 each 3)	70-0009	
15	Low Pressure Seal	N/A Sep.	3	32	O-ring	25-0014	4		Head Ring Kit (1 each 11)	70-0030	
16	Low Pressure Seal Retainer	46-0057	3	33	Bolt	27-8404	5		V-Packing Kit (3 each 12, 13, 15)	70-0147	
17	O-ring	25-0015	3	34	Crankcase Cover	46-0295	1		Intermediate Retainer Kit (3 each 13, 14)	70-0148	
									V-Packing Assembly (3 each 11-13, 15, 17)	852-0122	

# UNLOADER (850-0252)

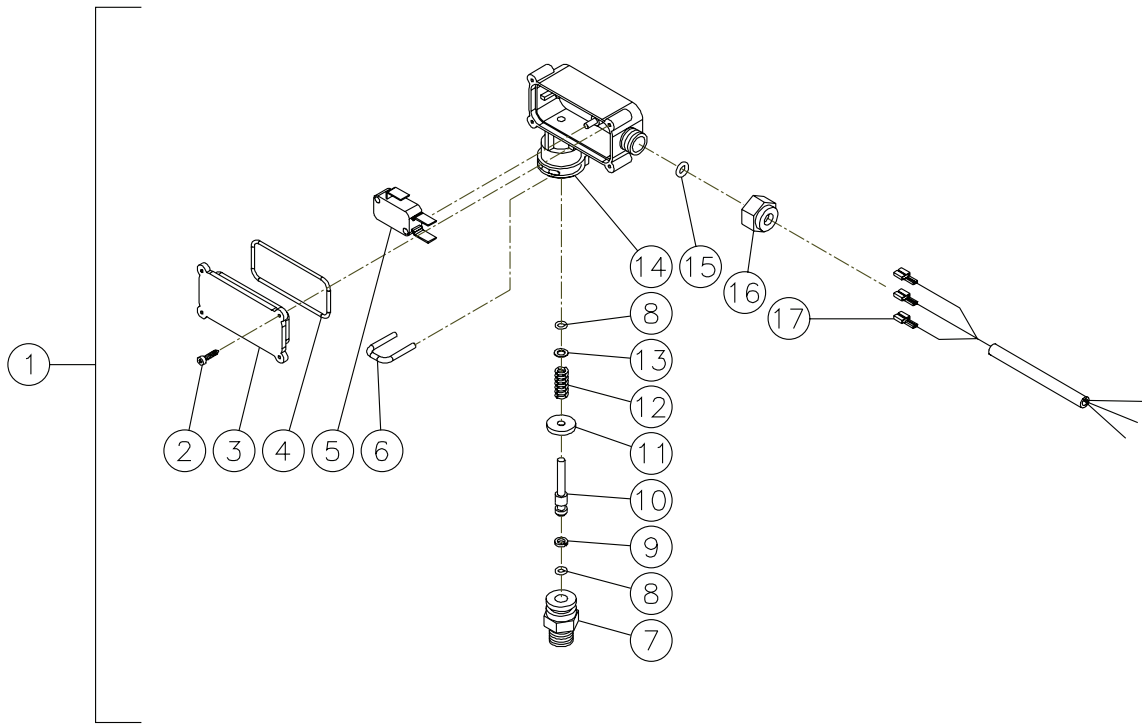
OMGEN163-101298-BAR



UNLOADER (850-0252)			
REF. #	DESCRIPTION	PART #	QTY.
1	Hex Nut	8-0362	2
2	Cover	7-0098	1
3	Set Screw	27-4280	1
4	Adjusting Insert- Brass	8-0363	1
5	Adjustment Nut	8-0364	1
6	Set Screw	8-0365	1
7	Glide Ring	8-0366	1
8	Spring	49-0104	1
9	Hex Nut	8-0367	1
10	Bushing	8-0368	1
11	Unloader Body	8-0369	1
12	Retainer	8-0269	1
13	Valve Housing	8-0104	1
14	Spring	49-0023	1
15	Valve	8-0105	1
16	O-ring	25-0036	1
17	Cylinder Pin	8-0372	1
18	Piston Repair Kit	70-0243	1
19	Spacer	8-0371	1
20	Stop Nut	8-0157	1
21	Washer	29-0154	2
	Check Valve Repair Kit (Includes 13-16)	70-0244	
	Unloader Complete	850-0252	

# PRESSURE SWITCH (22-0171)

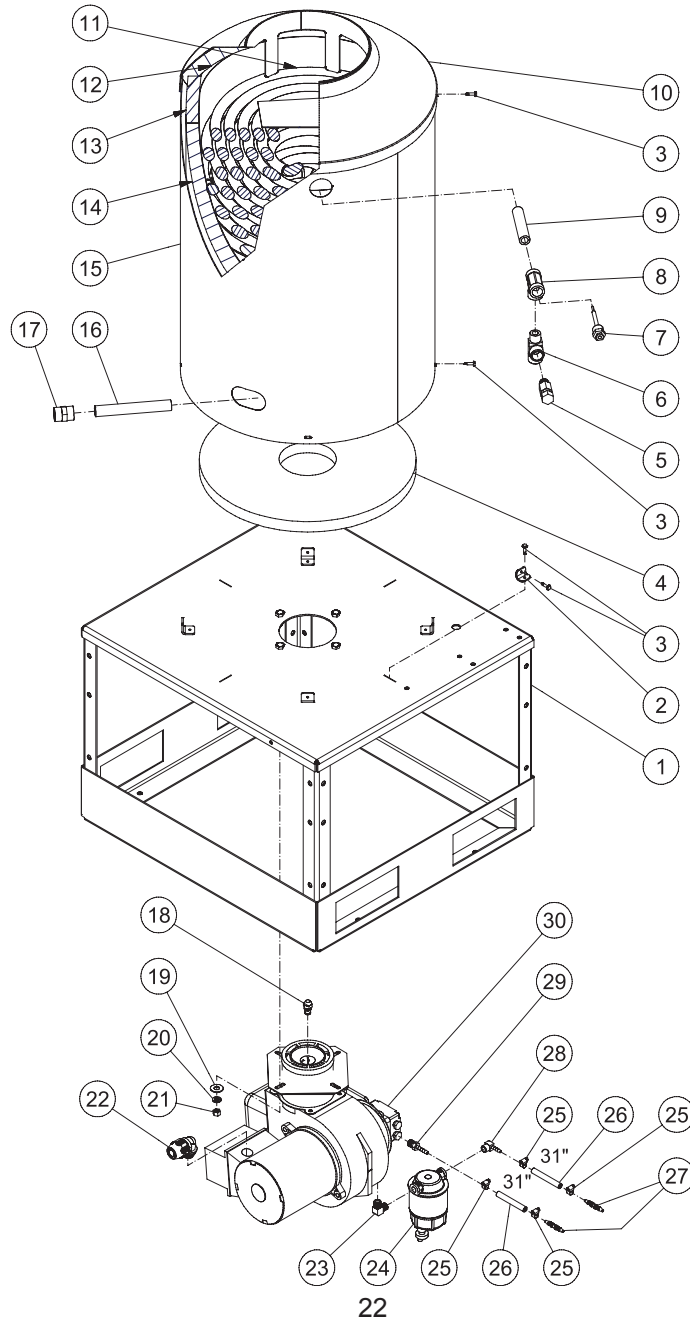
22-0171-120799-BAR



PRESSURE SWITCH (22-0171)			
REF. #	DESCRIPTION	PART #	QTY.
1	Pressure Switch	22-0171	1
2	Screw	N/A	4
3	Cover	N/A	1
4	O-ring (See 70-0306)	N/A Sep.	1
5	Micro Switch	N/A	1
6	Retainer Clip	N/A	1
7	Body	N/A	1
8	O-ring (See 70-0306)	N/A Sep.	2
9	Back-up Ring (See 70-0306)	N/A Sep.	1
10	Piston	N/A	1
11	Washer	N/A	1
12	Spring	49-0144	1
13	Washer	N/A	1
14	Plastic Housing	N/A	1
15	O-ring (See 70-0306)	N/A Sep.	1
16	Nut	N/A	1
17	Wire Assembly	N/A	1
	O-ring Repair Kit (Inc. 4, 8-9, 15)	70-0306	

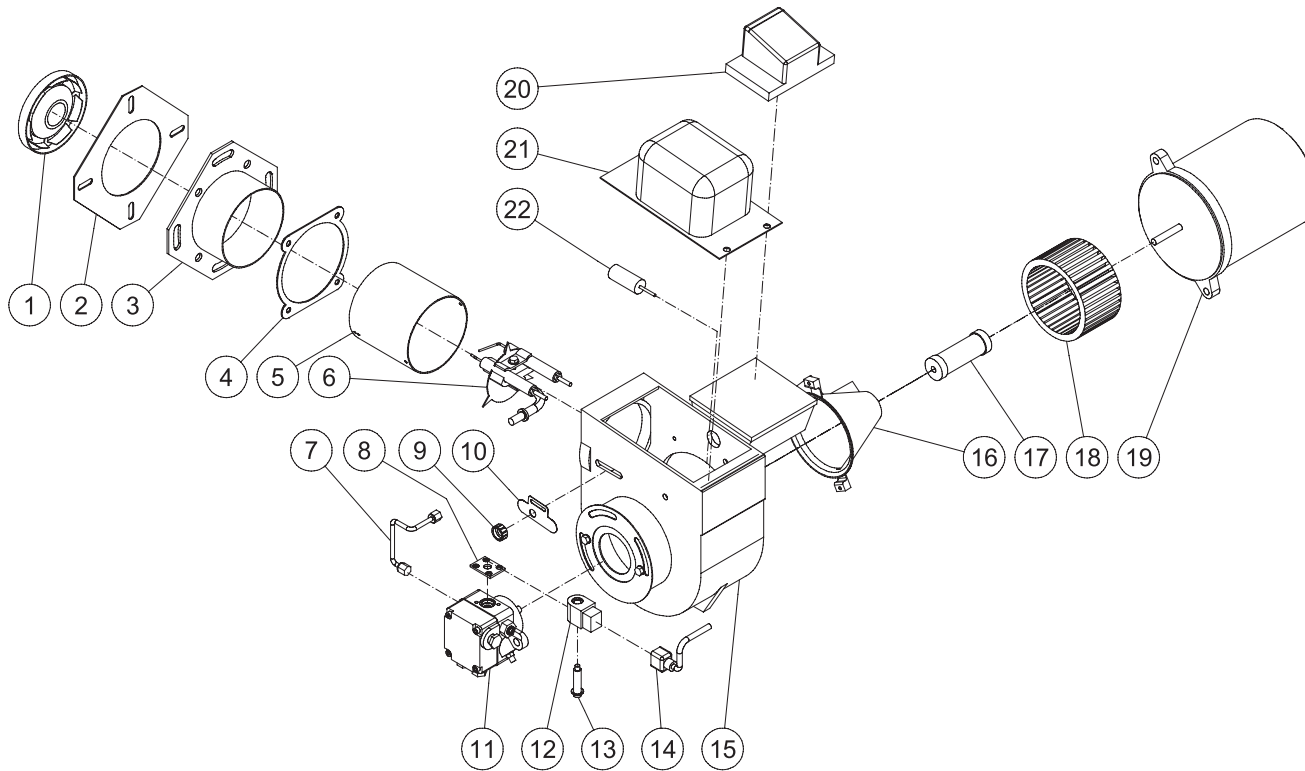
22-0171 & 22-0243-120799-BAR

# BURNER ASSEMBLY



OIL FIRED BURNER ASSY 110909-CH			
OIL FIRED BURNER			
ITEM	DESCRIPTION	Mi-T-M #	QTY
1	COIL BASE	5-0289A18	1
2	CLIP/COIL RETAINER	20-0651A18	4
3	BOLT	27-3064	16
4	INSUALTION BLANKET	850-0389	1
5	SAFETY RELIEF VALVE	22-0309	1
6	STREET TEE	24-0242	1
7	ADJUSTABLE THERMOSTAT	32-0962	1
8	TEE	24-0055	1
9	PIPE NIPPLE	24-0244	1
10	DOME	20-0621A18	1
11	HEAT EXCHANGER COIL	66-0023	1
12	INSULATION DOME	850-0315	1
13	INSULATION BLANKET	850-0314	1
14	INSULATION BLANKET	850-0313	1
15	OUTER WRAP	20-0634A18	1
16	PIPE NIPPLE	24-0254	1
17	ADAPTER	24-0243	1
18	FUEL NOZZLE (HEO-2004)	18-0090	1
-	FUEL NOZZLE (HEO-3004)	18-0091	1
-	FUEL NOZZLE (HEO-3005)	18-0093	1
19	WASHER	28-0023	4
20	LOCKWASHER	29-0008	4
21	NUT	30-0006	4
22	CONDUIT ELBOW	32-0254	1
23	ELBOW	23-0130	1
24	FUEL FILTER / WATER SEPERATOR	19-0070	1
25	CLAMP WORM	42-0004	4
26	FUEL HOSE *(SIX FEET REQUIRED)	15-0008	2
27	COUPLING	55-0679	2
28	ELBOW	23-0054	1
29	BARB	23-0051	1
30	BURNER (HEO-2004; 3004; 3005-0E2G/3G/8G/9G)	4-0027	1
-	BURNER (HEO-2004; 3004; 3005-0E4G)	4-0028	1
* MUST ORDER IN ONE FOOT LENGTHS			

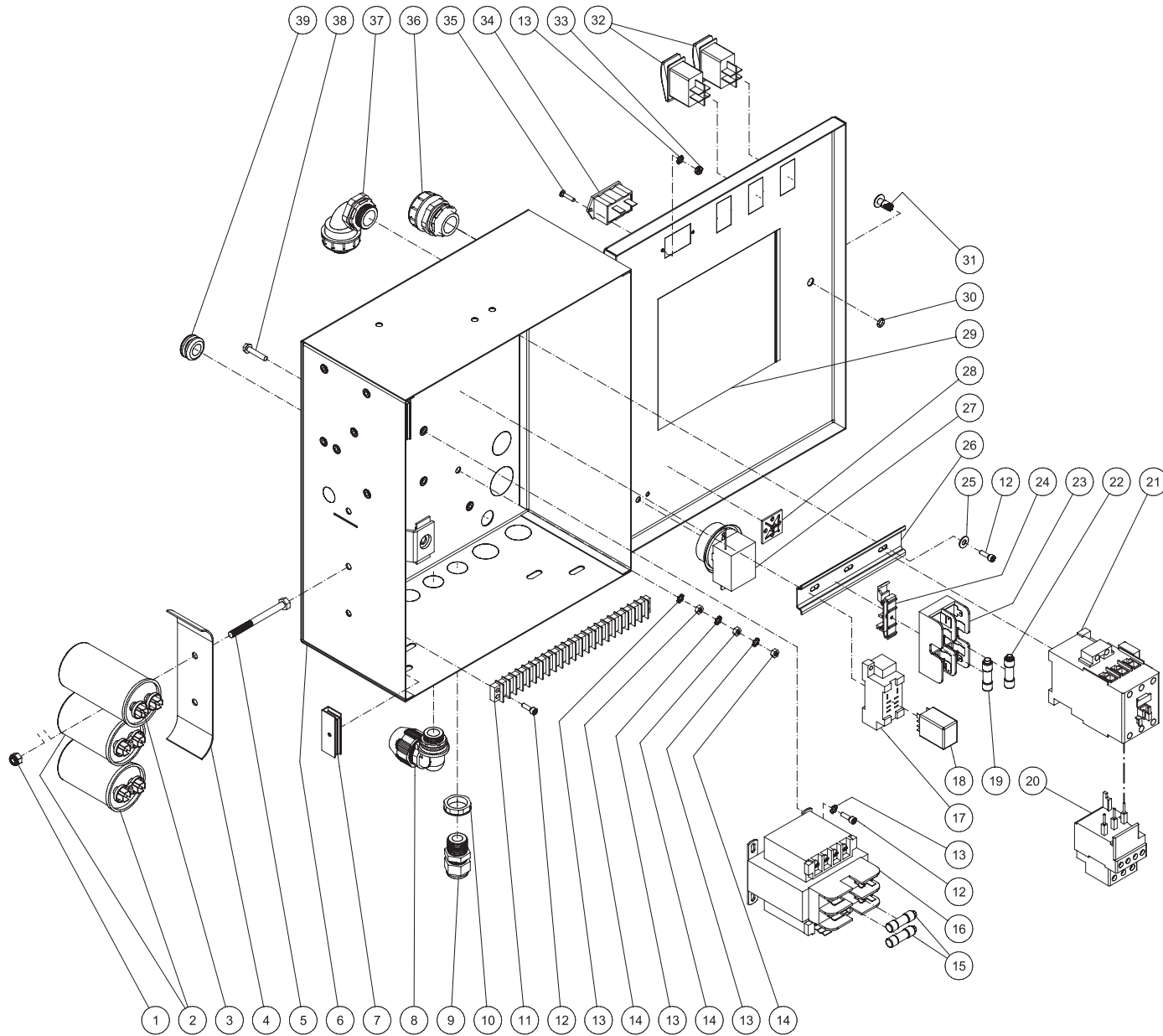
# BURNER





4-0028 _4-0027 112912 RJA			
BURNER			
ITEM	DESCRIPTION	PART #	QTY
-	BURNER COMPLETE 120V SM (4-0028)	4-0028	1
-	BURNER COMPLETE 240V SM (4-0027)	4-0027	1
1	BURNER HEAD	44-0011	1
2	GASKET/MOUNTING	44-0108	1
3	FLANGE	44-0109	1
4	GASKET	26-0138	1
5	AIR TUBE	44-0110	1
6	NOZZLE LINE ASSY	44-0111	1
7	COPPER FUEL TUBE	44-0025	1
8	TUBE BASE PLATE	46-1004	1
9	ESCUTCHEON PLATE SPLINE NUT	44-0022	1
10	ESCUTCHEON PLATE	44-0031	1
11	FUEL PUMP	3-0236	1
12	SOLENOID COIL	46-1020	1
13	VALVE STEM	46-1510	1
14	CORD SET	44-0122	1
15	BURNER HOUSING	44-0033	1
16	AIR GUIDE	44-0123	1
17	COUPLING	44-0127	1
18	BLOWER WHEEL	44-0124	1
19	MOTOR (4-0028)	2-0068	1
-	MOTOR (4-0027)	2-0028	1
20	CAD CELL	44-0052	1
21	IGNITOR ASSY	44-0017	1
22	CAD CELL DETECTOR	44-0048	1

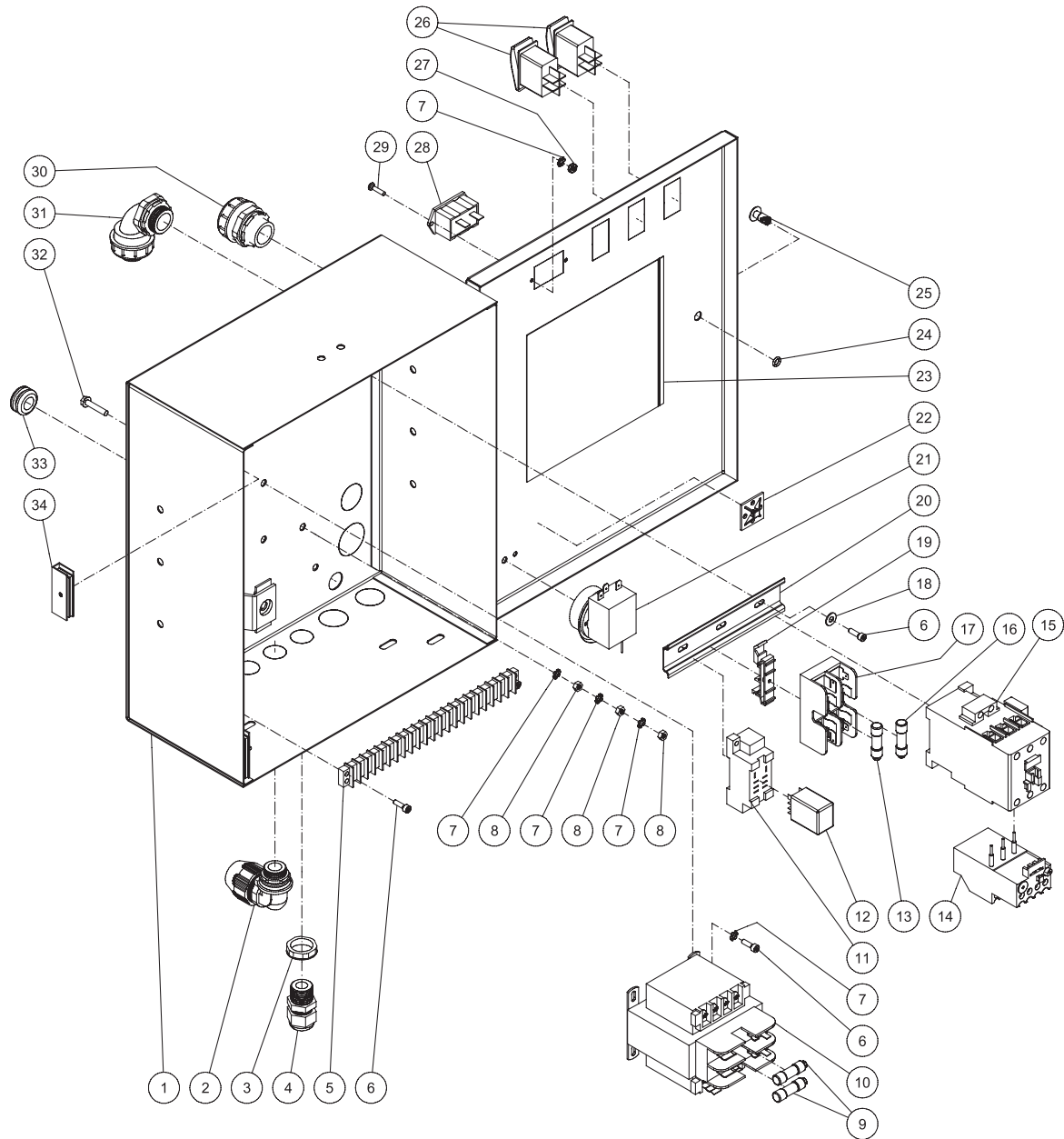
# SINGLE PHASE ELECTRIC BOX ASSEMBLY



HEO SINGLE PHASE ELECTRIC BOX ASSY-080212-MLK

SINGLE PHASE ELECTRIC BOX ASSEMBLY							
ITEM	DESCRIPTION	PART #	QTY	ITEM	DESCRIPTION	PART #	QTY
1	LOCKNUT (HEO-3004/3005-0E2G)	30-0155	2	20	OVERLOAD RELAY (HEO-2004-0E2G)	32-1074	1
-	LOCKNUT (HEO-2004-0E2/8G)	30-0155	1	-	OVERLOAD RELAY (HEO-3005-0E2/8G)	32-0490	1
2	CAPACITOR - RUN W/ MOTOR (HEO-3005-0E2/8G)	32-0748	2	-	OVERLOAD RELAY (HEO-3004-0E2/8G)	32-0485	1
-	CAPACITOR - RUN W/ MOTOR (HEO-2004/3004-0E2/8G)	32-0518	1	-	OVERLOAD RELAY (HEO-2004-0E8G)	32-1073	1
3	CAPACITOR - START (W/MOTOR) (HEO-2004-0E2/8G)	32-0686	1	21	CONTACTOR - 30AMP (HEO-2004-0E2G)	32-0597	1
-	CAPACITOR - START (W/MOTOR) (HEO-3004/3005-0E2/8G)	32-0747	2	-	CONTACTOR - 45AMP (HEO-2004-0E8G, HEO-3004-0E2/8G)	32-0328	1
4	CAPACITOR CLAMP (HEO-3004-0E2/8G)	20-0538A01	1	-	CONTACTOR - 60AMP (HEO-3005-0E2/8G)	32-0598	1
-	CAPACITOR CLAMP (HEO-2004-0E2/8G)	20-0467	1	22	FUSE - 1.5 AMPS (HEO-2004/3004/3005-0E2G/8G)	32-0468	1
-	CAPACITOR CLAMP (HEO-3005/0E2/8G)	20-0467	2	23	2 POLE FUSE BLOCK	32-0681	1
5	BOLT (HEO-3004/3005-0E2/8G)	27-0024	2	24	DIN RAIL MOUNT ADAPTER	32-0682	2
-	BOLT (HEO-2004-0E2/8G)	27-0024	1	25	WASHER	28-0001	2
6	ELECTRIC BOX	32-0739A18	1	26	DIN RAIL *(ONE FOOT REQUIRED)	32-0316	1
7	MAGNETIC CATCH	33-0390	2	27	ADJUSTABLE THERMOSTAT	32-0962	1
8	CONDUIT ELBOW	32-0254	1	28	MOUNTING BASE	32-0621	6
9	STRAIN RELIEF	32-0437	1	29	PLASTIC ZIPLOCK BAG	41-0184	1
10	ELECTRICAL LOCKNUT	32-0108	1	30	O-RING	25-0209	1
11	TERMINAL STRIP	32-0463	1	31	FASTENER	33-0197	1
12	SCREW	27-8835	8	32	ROCKER SWITCH	32-0731	2
13	STAR WASHER	28-1009	9	33	NUT (HX-0106 OPTION)	30-0052	2
14	NUT	30-6001	3	34	HOUR METER (HX-0106 OPTION)	32-0668	1
15	FUSE (HEO-2004/3004/3005-0E2G)	32-0741	2	35	SCREW (HX-0106 OPTION)	27-8881	2
-	FUSE (HEO-2004/3004/3005-0E8G)	32-0742	2	36	CONDUIT STRAIGHT	32-0488	1
16	TRANSFORMER	32-0735	1	37	CONDUIT ELBOW	32-0487	1
17	SOCKET - RELAY 8 PIN	32-0321	1	38	BOLT	27-8807	1
18	RELAY - 24V	32-0320	1	39	GROMMET	33-0001	1
19	FUSE	32-0743	1	* MUST ORDER IN ONE FOOT LENGTHS			

# THREE PHASE ELECTRIC BOX ASSEMBLY

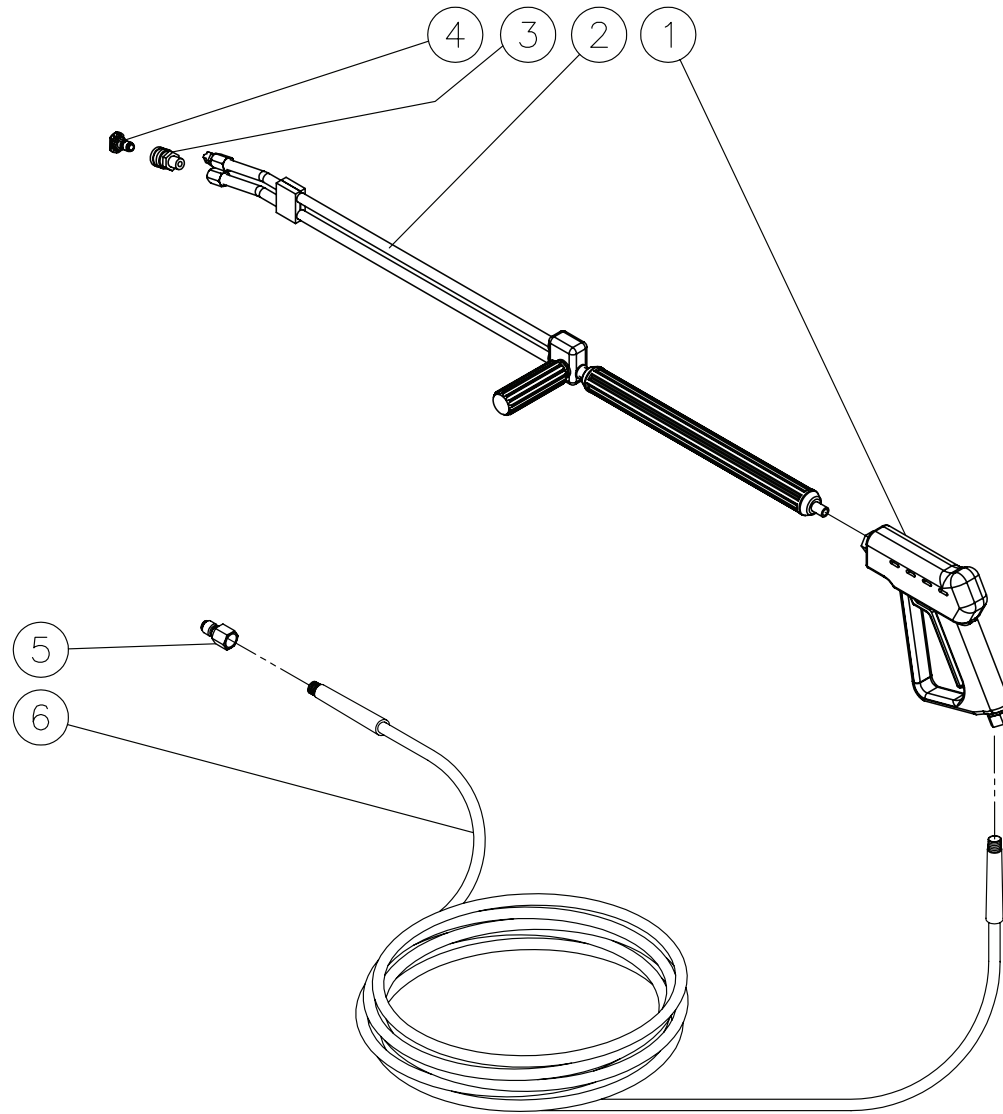


HEO STANDARD UNIT THREE PHASE ELECTRIC  
BOX ASSY-100810-CH

HEO ELECTRIC BOX ASSY- 3 PHASE 100810-CH			
THREE PHASE ELECTRIC BOX ASSEMBLY			
ITEM	DESCRIPTION	PART #	QTY
1	ELECTRIC BOX	32-0739A18	1
2	CONDUIT ELBOW	32-0254	1
3	ELECTRICAL LOCKNUT	32-0108	1
4	STRAIN RELIEF	32-0437	1
5	TERMINAL STRIP	32-0463	1
6	SCREW	27-8835	8
7	STAR WASHER	28-1009	9
8	NUT	30-6001	3
9	FUSE (0E3G)	32-0741	2
-	FUSE (0E9G)	32-0742	2
-	FUSE (0E4G)	32-0740	2
10	TRANSFORMER	32-0735	1
11	SOCKET - RELAY 8 PIN	32-0321	1
12	RELAY - 24V	32-0320	1
13	FUSE	32-1024	1
14	OVERLOAD RELAY (HEO-2004/3004-0E3G, HEO-2004-0E9G)	32-0483	1
-	OVERLOAD RELAY (HEO-3004/3005-0E9G, HEO-3005-0E3G)	32-0484	1
-	OVERLOAD RELAY (HEO-2004/3005-0E4G)	32-0481	1
-	OVERLOAD RELAY (HEO-3004-0E4G)	32-0482	1
15	CONTACTOR - 30AMP (HEO-3005-0E3G, HEO-3004-0E9G)	32-0597	1
-	CONTACTOR - 45AMP (HEO-3005-0E9G)	32-0328	1
-	CONTACTOR - 24AMP (HEO-2004/3004-0E3G, HEO-2004-E9G)	32-0329	1
-	CONTACTOR - 16AMP (HEO-2004/3004/3005-0E4G)	32-0327	1
16	FUSE - 1.5 AMPS (HEO-2004/3004/3005-0E3G/9G)	32-0468	1
-	FUSE - 1.5 AMPS (HEO-2004/3004/3005-0E4G)	32-1084	2
17	2 POLE FUSE BLOCK	32-0681	1
18	WASHER	28-0001	2
19	DIN RAIL MOUNT ADAPTER	32-0682	2
20	DIN RAIL *(ONE FOOT REQUIRED)	32-0316	1
21	ADJUSTABLE THERMOSTAT	32-0962	1
22	MOUNTING BASE	32-0621	1
23	PLASTIC ZIPLOCK BAG	41-0184	1
24	O-RING	25-0209	1
25	FASTENER	33-0197	1
26	ROCKER SWITCH	32-0731	2
27	NUT (HX-0106 OPTION)	30-0052	2
28	HOUR METER (HX-0106 OPTION)	32-0668	1
29	SCREW (HX-0106 OPTION)	27-8881	2
30	CONDUIT STRAIGHT	32-0488	1
31	CONDUIT ELBOW	32-0487	1
32	BOLT	27-8807	1
33	GROMMET	33-0001	1
34	MAGNETIC CATCH	33-0390	2

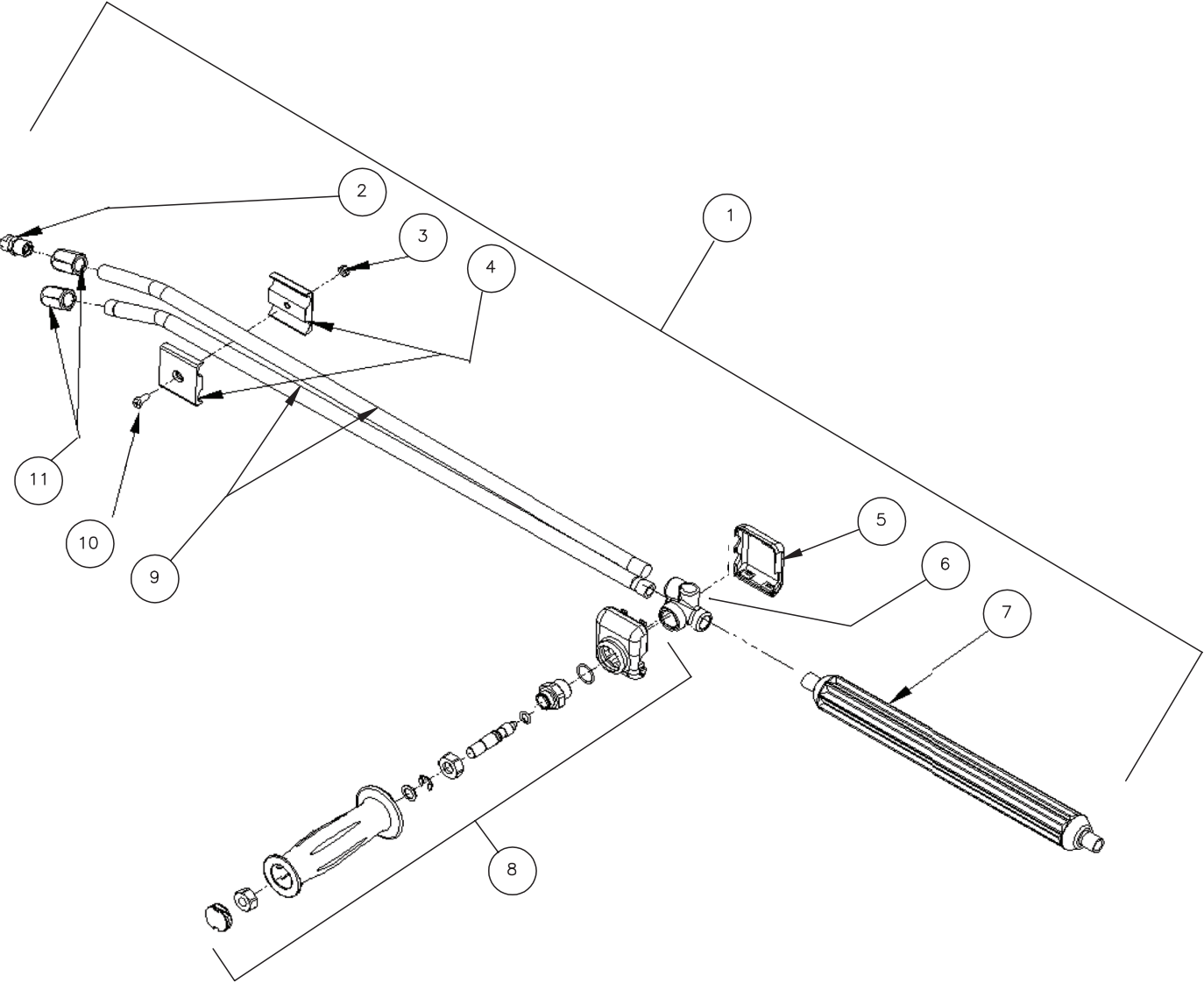
\* MUST ORDER IN ONE FOOT LENGTHS

# GUN/WAND/HOSE ASSEMBLY



HEO GUN WAND HOSE ASSY-090210-BF			
GUN/WAND/HOSE ASSEMBLY			
REF. #	DESCRIPTION	PART #	QTY.
1	Gun Assembly	16-0446	1
2	Dual Lance 48" (HEO 3005)	16-0417	1
-	Dual Lance 36" (HEO-2004/3004)	16-0416	1
3	Quick Connect Socket	17-0028	1
4	Nozzle- 0004.5 (HEO-3004)	18-0033	1
-	Nozzle- 1504.5 (HEO-3004)	18-0039	1
-	Nozzle- 2504.5 (HEO-3004)	18-0060	1
-	Nozzle- 4004.5 (HEO-3004)	18-0065	1
-	Nozzle- 0005.5 (HEO-3005)	18-0035	1
-	Nozzle- 1505.5 (HEO-3005)	18-0041	1
-	Nozzle- 2505.5 (HEO-3005)	18-0062	1
-	Nozzle- 4005.5 (HEO-3005)	18-0132	1
-	Nozzle- 0006 (HEO-2004)	18-0013	1
-	Nozzle- 1506 (HEO-2004)	18-0014	1
-	Nozzle- 2506 (HEO-2004)	18-0043	1
-	Nozzle- 4006 (HEO-2004)	18-0044	1
5	Quick Connect Plug	17-0006	1
6	High Pressure Hose Assembly 4500 PSI	15-0166	1
-	High Pressure Hose Assembly 3000 PSI	15-0146	1

DUAL LANCE ASSEMBLY (16-0416 & 16-0417)

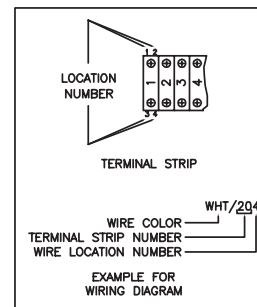
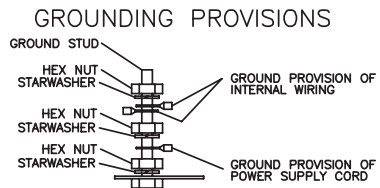
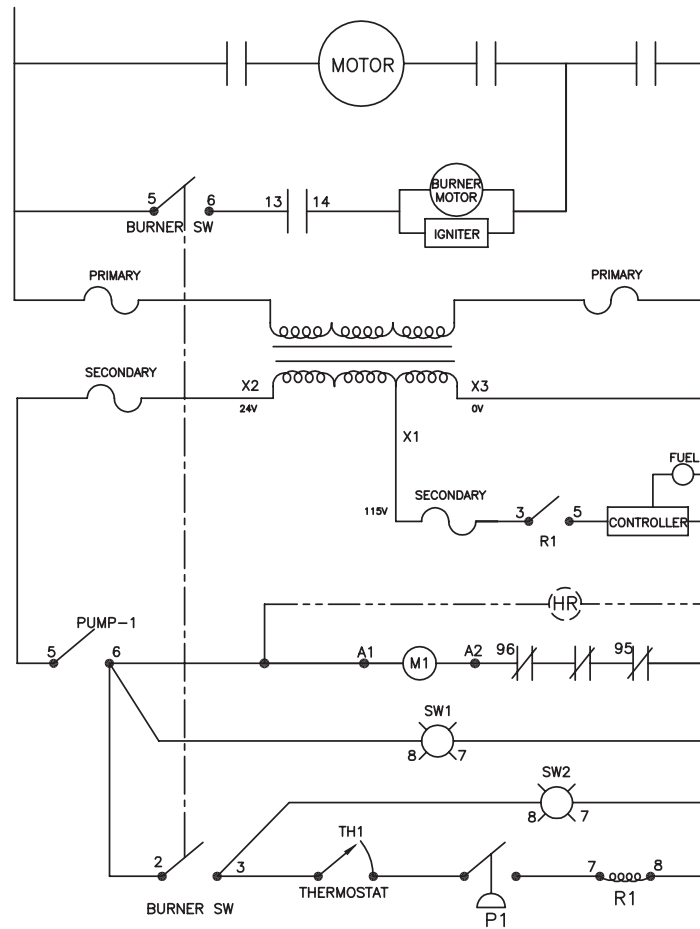


16-0416\_16-0417-102405-RZ



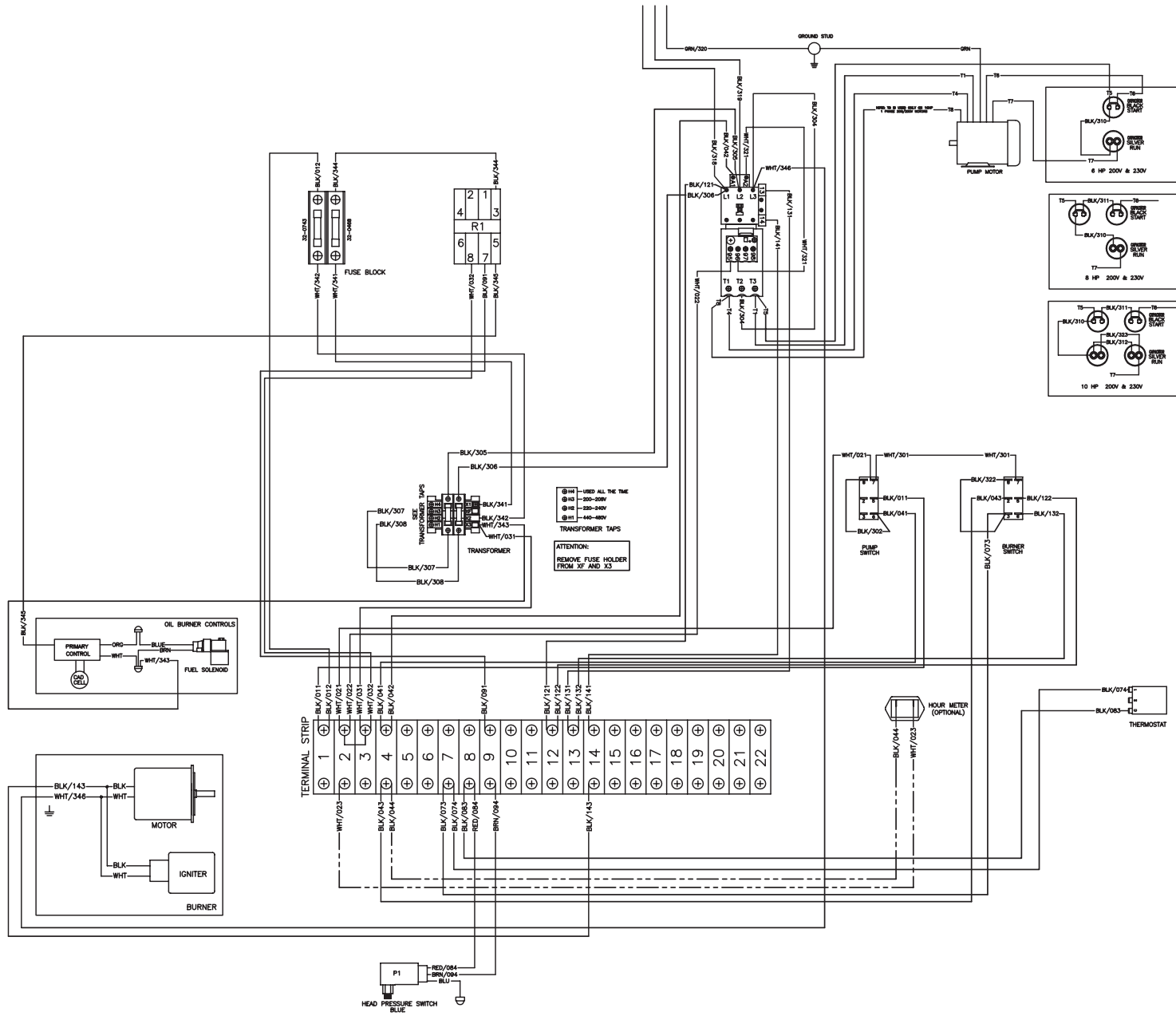
<b>DUAL LANCE ASSEMBLY (16-0416 &amp; 16-0417)</b>			
<b>REF. #</b>	<b>DESCRIPTION</b>	<b>PART #</b>	<b>QTY.</b>
1	Dual Lance Assembly - 36" (Inc. 2-11)	16-0416	1
-	Dual Lance Assembly - 48" (Inc. 2-11)	16-0417	1
2	Detergent Nozzle	18-0110	1
3	Nut	30-6001	1
4	Clamp	16-0420	2
5	Lower Valve Cover (See 16-0416 or 16-0417)	N/A Sep.	1
6	Housing (See 16-0416 or 16-0417)	N/A Sep.	1
7	Lance	16-0419	1
8	Handle Repair Kit	70-0419	1
9	Lance (See 16-0416)	N/A Sep.	2
-	Lance (See 16-0417)	N/A Sep.	2
10	Screw	27-8196	1
11	Nozzle Adapter	24-0280	2

# WIRE SCHEMATIC HEO SINGLE PHASE

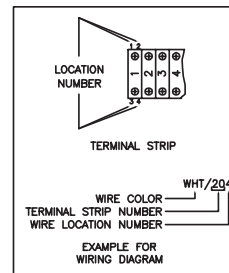
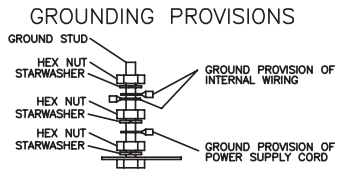
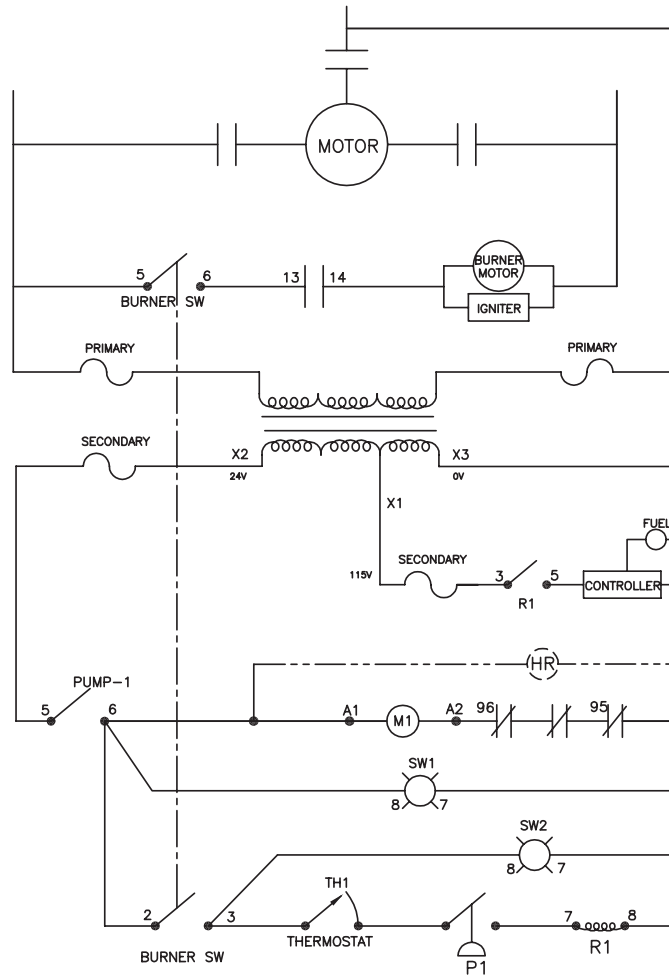


HEO- WIRE SCHEMATIC-STANDARD 1  
 PHASE 111309-CH

# WIRE DIAGRAM HEO SINGLE PHASE

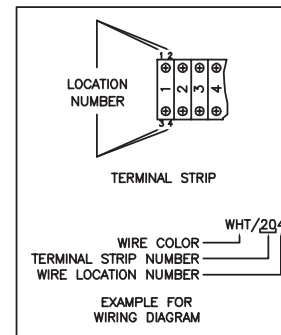
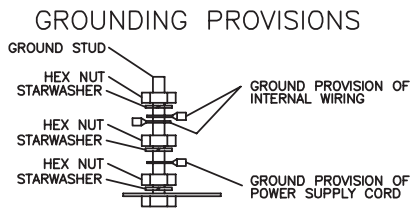
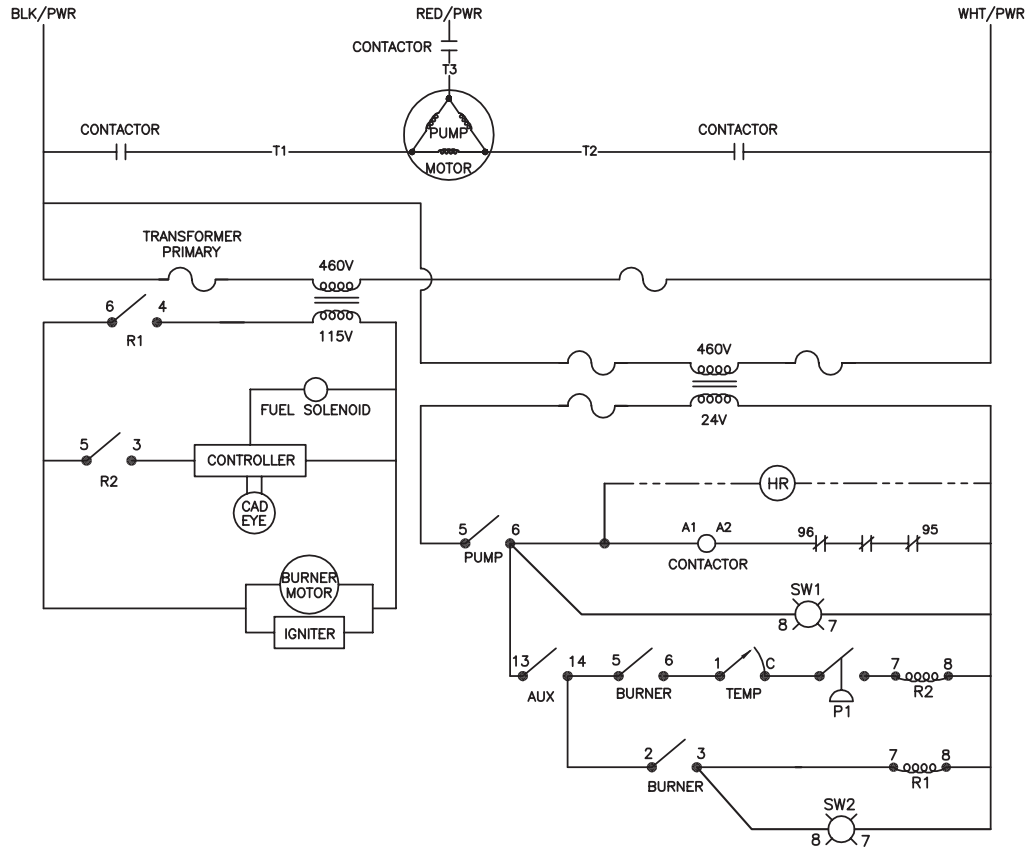


# WIRE SCHEMATIC HEO STANDARD THREE PHASE





# WIRE SCHEMATIC HEO STANDARD THREE PHASE 460V





## OPTION LISTINGS

SINGLE PHASE ELECTRIC BOX ASSEMBLY W/AUTO START OR TIME DELAY (HX-0107 AND HX-0111)	42
THREE PHASE ELECTRIC BOX ASSEMBLY W/ AUTO START OR TIME DELAY (HX-0107 AND HX-0111)	44
REMOTE JUNCTION BOX (HX-0108, HX-0223 AND HX-0124)	46
REMOTE BOX ASSEMBLY (HX-0108, HX-0223, HX-0110 AND HX-0124)	47
SINGLE PHASE ELECTRIC BOX ASSEMBLY W/ TIME DELAY OR AUTO START/STOP AND REMOTES (HX-0108, HX-0223 AND HX-0124)	48
THREE PHASE ELECTRIC BOX ASSEMBLY W/ TIME DELAY OR AUTO START/STOP AND REMOTES (HX-0108, HX-0223 AND HX-0124)	50
DETERGENT SOLENOID FOR TIME DELAY AND REMOTES (HX-0108, HX-0223 AND HX-0124)	52
AUTO START/STOP PLUMBING (HX-0111 AND HX-0124)	53
K7 OPTION (HX-0104 AND HX-0112)	54
DUAL GUN OPTION (HX-0114)	55
STAINLESS STEEL MODULAR PANELS AND COIL WRAP OPTION (HX-0115 AND HX-0116)	56
DUAL FUEL TANK (HX-0218)	57
PRIMARY BURNER FUEL TANK (850-0386)	58
SECONDARY BURNER FUEL TANK (850-0387)	59
ELEVATED FLOAT TANK (HX-0216 AND HX-0217)	60
STEAM OPTION (HX-0120 AND HX-0121, HX-0122)	62
WIRE SCHEMATIC HEO SINGLE PHASE WITH TIME DELAY (HX-0107) (AFTER SERIAL #15083509)	64
WIRE DIAGRAM HEO SINGLE PHASE WITH TIME DELAY (HX-0107) (AFTER SERIAL #15083509)	65
WIRE SCHEMATIC HEO SINGLE PHASE WITH REMOTES (HX-0108) (AFTER SERIAL #15083509)	66
WIRE DIAGRAM HEO SINGLE PHASE WITH REMOTES (HX-0108) (AFTER SERIAL #15083509)	67
WIRE SCHEMATIC HEO SINGLE PHASE WITH TIME DELAY AND REMOTES (HX-0223) (AFTER SERIAL #15083509)	68
WIRE DIAGRAM HEO SINGLE PHASE WITH TIME DELAY AND REMOTES (HX-0223) (AFTER SERIAL #15083509)	69
WIRE SCHEMATIC HEO SINGLE PHASE WITH AUTO START/STOP (HX-0111) (AFTER SERIAL #15083509)	70
WIRE DIAGRAM HEO SINGLE PHASE WITH AUTO START/STOP (HX-0111) (AFTER SERIAL #15083509)	71
WIRE SCHEMATIC HEO SINGLE PHASE WITH AUTO START/STOP AND REMOTES (HX-0124) (AFTER SERIAL #15083509)	72
WIRE DIAGRAM HEO SINGLE PHASE WITH AUTO START/STOP AND REMOTES (HX-0124) (AFTER SERIAL #15083509)	73
WIRE SCHEMATIC HEO THREE PHASE WITH TIME DELAY (HX-0107) (AFTER SERIAL #15083509)	74
WIRE DIAGRAM HEO THREE PHASE WITH TIME DELAY (HX-0107) (AFTER SERIAL #15083509)	75
WIRE SCHEMATIC HEO THREE PHASE WITH REMOTES (HX-0108) (AFTER SERIAL #15083509)	76
WIRE DIAGRAM HEO THREE PHASE WITH REMOTES (HX-0108) (AFTER SERIAL #15083509)	77
WIRE SCHEMATIC HEO THREE PHASE WITH TIME DELAY AND REMOTES (HX-0223) (AFTER SERIAL #15083509)	78
WIRE DIAGRAM HEO THREE PHASE WITH TIME DELAY AND REMOTES (HX-0223) (AFTER SERIAL #15083509)	79
WIRE SCHEMATIC HEO THREE PHASE WITH AUTO START/STOP (HX-0111) (AFTER SERIAL #15083509)	80
WIRE DIAGRAM HEO THREE PHASE WITH AUTO START/STOP (HX-0111) (AFTER SERIAL #15083509)	81
WIRE SCHEMATIC HEO THREE PHASE WITH AUTO START/STOP AND REMOTES (HX-0124) (AFTER SERIAL #15083509)	82
WIRE DIAGRAM HEO THREE PHASE WITH AUTO START/STOP AND REMOTES (HX-0124) (AFTER SERIAL #15083509)	83
WIRE SCHEMATIC HEO THREE PHASE 460V WITH TIME DELAY (HX-0107) (AFTER SERIAL #15083509)	84
WIRE DIAGRAM HEO THREE PHASE 460V WITH TIME DELAY (HX-0107) (AFTER SERIAL #15083509)	85
WIRE SCHEMATIC HEO THREE PHASE 460V WITH REMOTES (HX-0108) (AFTER SERIAL #15083509)	86
WIRE DIAGRAM HEO THREE PHASE 460V WITH REMOTES (HX-0108) (AFTER SERIAL #15083509)	87
WIRE SCHEMATIC HEO THREE PHASE 460V WITH TIME DELAY AND REMOTES (HX-0109) (AFTER SERIAL #15083509)	88
WIRE DIAGRAM HEO THREE PHASE 460V WITH TIME DELAY AND REMOTES (HX-0109) (AFTER SERIAL #15083509)	89
WIRE SCHEMATIC HEO THREE PHASE 460V WITH AUTO START/STOP (HX-0111) (AFTER SERIAL #15083509)	90
WIRE DIAGRAM HEO THREE PHASE 460V WITH AUTO START/STOP (HX-0111) (AFTER SERIAL #15083509)	91
WIRE SCHEMATIC HEO THREE PHASE 460V WITH AUTO START/STOP AND REMOTES (HX-0124) (AFTER SERIAL #15083509)	92
WIRE DIAGRAM HEO THREE PHASE 460V WITH AUTO START/STOP AND REMOTES (HX-0124) (AFTER SERIAL #15083509)	93
WIRE DIAGRAM FOR REMOTE BOX (HX-0108, HX-0223, HX-0110 AND HX-0124)	94
NOTES	95



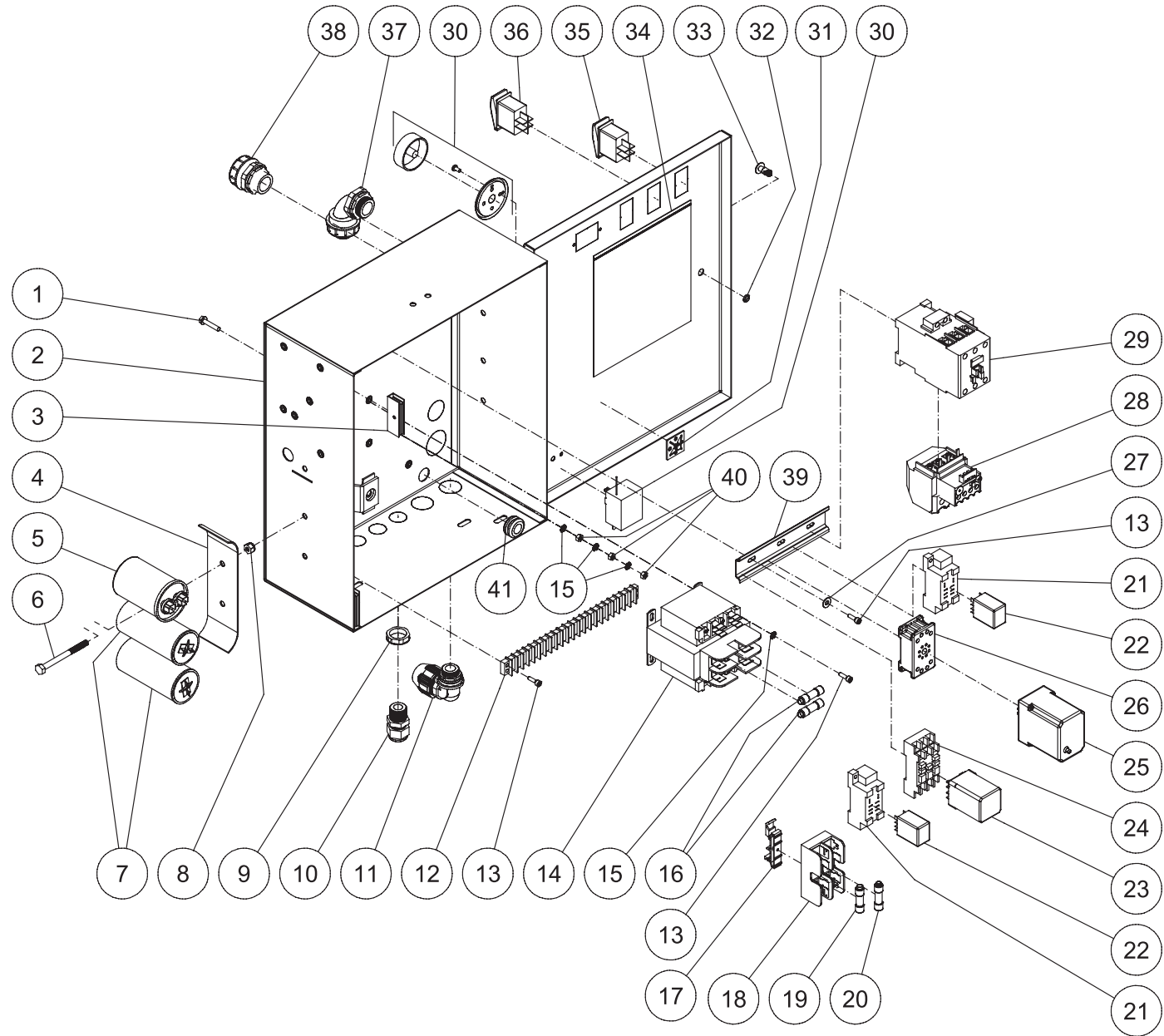
## OPTION LISTINGS

<u>OPTION</u>	<u>DESCRIPTION</u>
HX-0104	K7 UNLOADER OPTION (HEO-3004)
HX-0106	HOUR METER OPTION
HX-0107	TIME DELAY OPTION
HX-0108	FIRST REMOTE BOX OPTION
HX-0110	ADDITIONAL REMOTE BOX OPTION
HX-0111	AUTO START/STOP OPTION
HX-0112	K7 UNLOADER OPTION (HEO-2004, 3005)
HX-0114	DUAL GUN OPTION (HEO-3005 ONLY)
HX-0115	STAINLESS STEEL MODULAR PANELS OPTION
HX-0116	STAINLESS STEEL COIL WRAP OPTION
HX-0120	STEAM 2004 OPTION
HX-0121	STEAM 3004 OPTION
HX-0122	STEAM 3005 OPTION
HX-0124	AUTO START/STOP AND FIRST REMOTE OPTION
HX-0216	ELEVATED FLOAT TANK (HEO-2004, 3004)
HX-0217	ELEVATED FLOAT TANK (HEO-3005)
HX-0218	DUAL FUEL TANK OPTION
HX-0223	TIME DELAY AND FIRST REMOTE BOX OPTION

### WIRE SCHEMATIC/DIAGRAM:

HEO-2004/3004/3005-0E2G/8G:	TIME DELAY (HX-0107)
	REMOTES (HX-0108)
	TIME DELAY AND REMOTES (HX-0223)
	AUTO START/STOP (HX-0111)
	AUTO START/STOP AND REMOTES (HX-0124)
HEO-2004/3004/3005-0E3G/9G:	TIME DELAY (HX-0107)
	REMOTES (HX-0108)
	TIME DELAY AND REMOTES (HX-0223)
	AUTO START/STOP (HX-0111)
	AUTO START/STOP AND REMOTES (HX-0124)
HEO-2004/3004/3005-0E4G:	TIME DELAY (HX-0107)
	REMOTES (HX-0108)
	TIME DELAY AND REMOTES (HX-0223)
	AUTO START/STOP (HX-0111)
	AUTO START/STOP AND REMOTES (HX-0124)
	REMOTE BOX WIRING

# SINGLE PHASE ELECTRIC BOX ASSEMBLY W/AUTO START OR TIME DELAY (HX-0107 AND HX-0111)

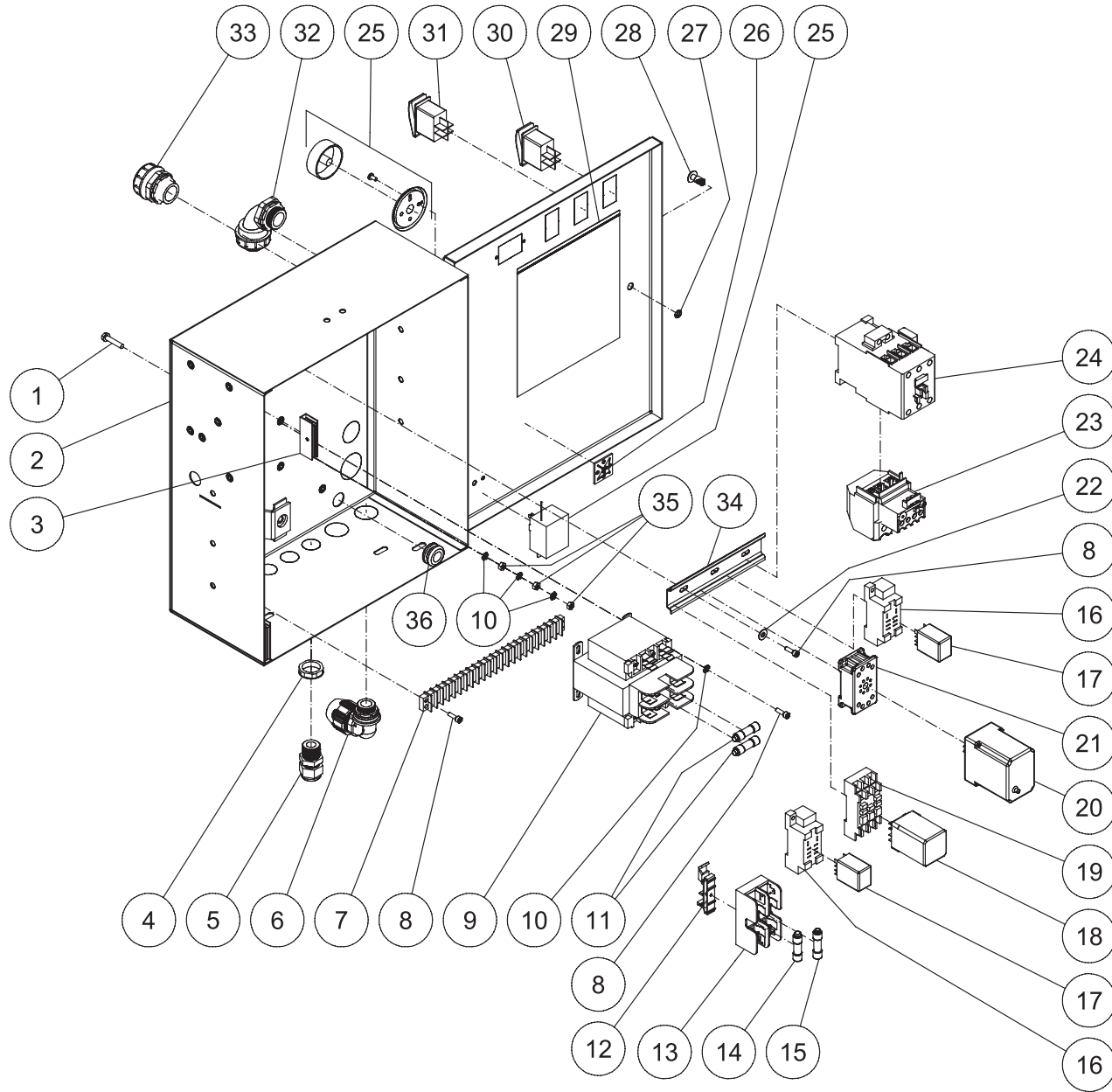


HEO 1 PH E-BOX WITH AUTO SS OR TIME  
DELAY-110909-CH

## SINGLE PHASE ELECTRIC BOX WITH AUTO START STOP OR TIME DELAY

ITEM	DESCRIPTION	PART #	QTY	ITEM	DESCRIPTION	PART #	QTY
1	BOLT	27-8807	1	21	SOCKET - RELAY 8 PIN	32-0321	2
2	ELECTRIC BOX	32-0739A18	1	22	RELAY - 24V	32-0320	2
3	MAGNETIC CATCH	33-0390	2	23	RELAY - LATCHING (HX-0107)	32-0736	1
4	CAPACITOR CLAMP (HEO-3004-0E2G/8G)	20-0538A01	1	24	BASE - RELAY (HX-0107)	32-0737	1
-	CAPACITOR CLAMP (HEO-3005-0E2G/8G)	20-0467	2	25	TIMER - OFF DELAY 24VOLT	32-0314	1
-	CAPACITOR CLAMP (HEO-2004-0E2G/8G)	20-0467	1	26	SOCKET - TIMER 24VOLT	32-0315	1
5	CAPACITOR (HEO-3004; 3005-0E2G/8G)	32-0747	2	27	WASHER	28-0001	3
-	CAPACITOR (HEO-2004-0E2G/8G)	32-0686	1	28	OVERLOAD RELAY (HEO-2004-0E2G)	32-0484	1
6	BOLT (HEO-3004; 3005-0E2G/8G)	27-0024	2	-	OVERLOAD RELAY (HEO-3005-0E2G/8G)	32-0490	1
-	BOLT (HEO-2004-0E2G/8G)	27-0024	1	-	OVERLOAD RELAY (HEO-2004-0E8G) (HEO-3004-0E2G/8G)	32-0485	1
7	CAPACITOR (HEO-3005-0E2G/8G)	32-0748	2	29	CONTACTOR - 30AMP (HEO-2004-0E2G)	32-0597	1
-	CAPACITOR (HEO-2004; 3004-0E2G/8G)	32-0519	1	-	CONTACTOR - 60AMP (HEO-3005-0E2G/8G)	32-0598	1
8	LOCKNUT (HEO-3004; 3005-0E2G/8G)	30-0155	2	-	CONTACTOR - 45AMP (HEO-2004-0E8G) (HEO-3004-0E2G/8G)	32-0328	1
-	LOCKNUT (HEO-2004-0E2G/8G)	30-0155	1	30	ADJUSTABLE THERMOSTAT	32-0962	1
9	ELECTRICAL LOCKNUT	32-0108	2	31	MOUNTING BASE	32-0621	6
10	STRAIN RELIEF	32-0437	2	32	O-RING	25-0209	1
11	CONDUIT ELBOW	32-0254	1	33	FASTENER	33-0197	1
12	TERMINAL STRIP	32-0463	1	34	PLASTIC ZIPLOCK BAG	41-0184	1
13	SCREW	27-8835	7	35	ROCKER SWITCH (HX-0107)	32-0732	1
14	TRANSFORMER	32-0735	1	36	ROCKER SWITCH (HX-0107)	32-0731	1
15	STAR WASHER	28-1009	5	-	ROCKER SWITCH (HX-0111)	32-0731	2
16	FUSE (HEO-2004; 3004; 3005-0E2G)	32-0741	2	37	CONDUIT ELBOW	32-0487	1
-	FUSE (HEO-2004; 3004; 3005-0E8G)	32-0742	2	38	CONDUIT STRAIGHT	32-0488	1
17	DIN RAIL MOUNT ADAPTER	32-0682	2	39	DIN RAIL *(ONE FOOT REQUIRED)	32-0316	1
18	2 POLE FUSE BLOCK	32-0681	1	40	NUT	30-6001	3
19	FUSE (HEO-2004; 3004; 3005-0E2G/8G)	32-0743	1	41	GROMMET	33-0001	1
20	FUSE - 1.5 AMPS (HEO-2004; 3004; 3005-0E2G/8G)	32-0468	1	* MUST ORDER IN ONE FOOT LENGTHS			

# THREE PHASE ELECTRIC BOX ASSEMBLY W/ AUTO START OR TIME DELAY (HX-0107 AND HX-0111)



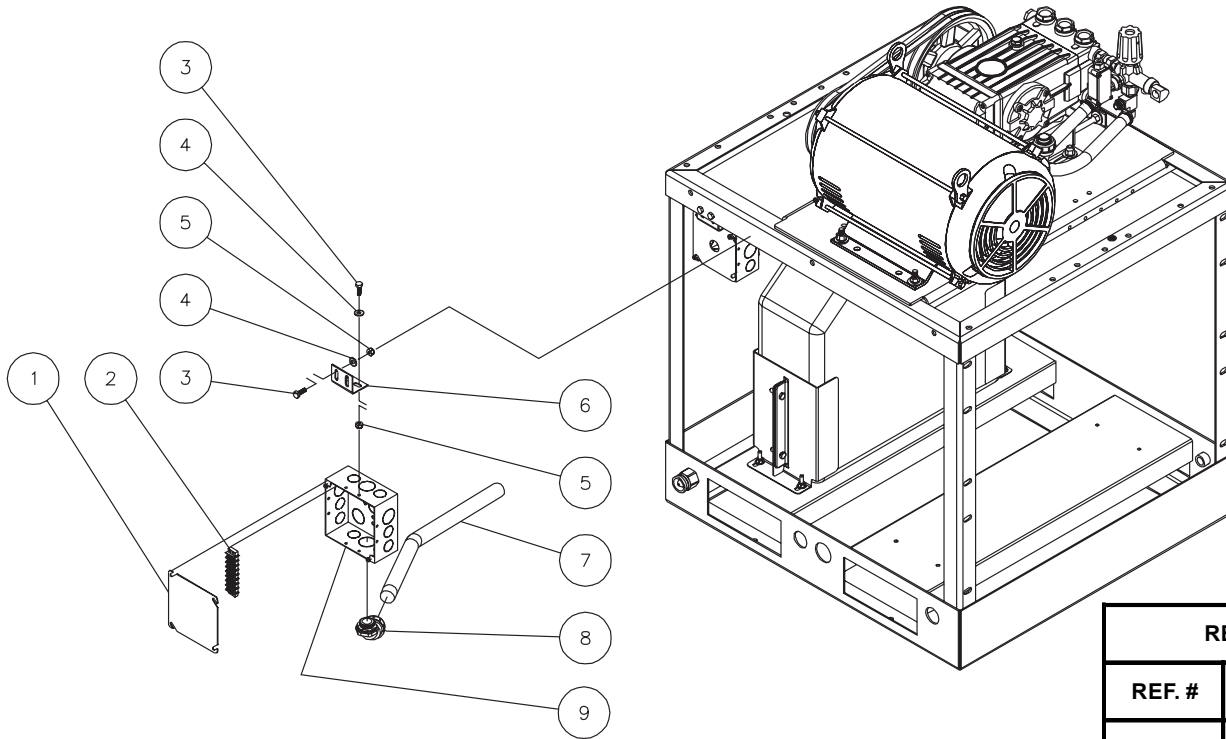
HEO 3 PHASE E-BOX ASSY WITH AUTO SS  
OR TIME DELAY-100810-CH

## THREE PHASE ELECTRIC BOX ASSEMBLY WITH AUTO START STOP OR TIME DELAY

ITEM	DESCRIPTION	PART #	QTY	ITEM	DESCRIPTION	PART #	QTY
1	BOLT	27-8807	1	21	SOCKET - TIMER 24VOLT	32-0315	1
2	ELECTRIC BOX	32-0739A18	1	22	WASHER	28-0001	3
3	MAGNETIC CATCH	33-0390	2	23	OVERLOAD RELAY (HEO-3004-0E9G) (HEO-3005-0E3G/9G)	32-0484	1
4	ELECTRICAL LOCKNUT	32-0108	2	-	OVERLOAD RELAY (HEO-2004-0E3G/9G) (HEO-3004-0E3G)	32-0483	1
5	STRAIN RELIEF	32-0437	2	-	OVERLOAD RELAY (HEO-2004; 3005-0E4G)	32-0481	1
6	CONDUIT ELBOW	32-0254	1	-	OVERLOAD RELAY (HEO-3004-0E4G)	32-0482	1
7	TERMINAL STRIP	32-0463	1	24	CONTACTOR - 30AMP (HEO-3004-0E9G) (HEO-3005-0E3G)	32-0597	1
8	SCREW	27-8835	7	-	CONTACTOR - 24AMP (HEO-2004; 3004-0E3G) (HEO-2004-0E9G)	32-0329	1
9	TRANSFORMER	32-0735	1	-	CONTACTOR - 45AMP (HEO-3005-0E9G)	32-0328	1
10	STAR WASHER	28-1009	5	-	CONTACTOR - 16AMP (HEO-2004; 3004; 3005-0E4G)	32-0327	1
11	FUSE (HEO-2004; 3004; 3005-0E3G)	32-0741	2	25	ADJUSTABLE THERMOSTAT	32-0962	1
-	FUSE (HEO-2004; 3004; 3005-0E9G)	32-0742	2	26	MOUNTING BASE	32-0621	6
-	FUSE (HEO-2004; 3004; 3005-0E4G)	32-0740	2	27	O-RING	25-0209	1
12	DIN RAIL MOUNT ADAPTER	32-0682	2	28	FASTENER	33-0197	1
13	2 POLE FUSE BLOCK	32-0681	1	29	PLASTIC ZIPLOCK BAG	41-0184	1
14	FUSE	32-1024	1	30	ROCKER SWITCH (HX-0107)	32-0732	1
15	FUSE - 1.5 AMPS (HEO-2004; 3004; 3005-0E3G/9G)	32-0468	1	31	ROCKER SWITCH (HX-0107)	32-0731	1
-	FUSE - 1.5 AMPS (HEO-2004; 3004; 3005-0E4G)	32-1084	2	-	ROCKER SWITCH (HX-0111)	32-0731	2
16	SOCKET - RELAY 8 PIN	32-0321	2	32	CONDUIT ELBOW	32-0487	1
17	RELAY - 24V	32-0320	2	33	CONDUIT STRAIGHT	32-0488	1
18	RELAY - LATCHING (HX-0107)	32-0736	1	34	DIN RAIL *(ONE FOOT REQUIRED)	32-0316	1
19	BASE - RELAY (HX-0107)	32-0737	1	35	NUT	30-6001	3
20	TIMER - OFF DELAY 24VOLT	32-0314	1	36	GROMMET	33-0001	1

\* MUST ORDER IN ONE FOOT LENGTHS

## REMOTE JUNCTION BOX (HX-0108, HX-0223 AND HX-0124)

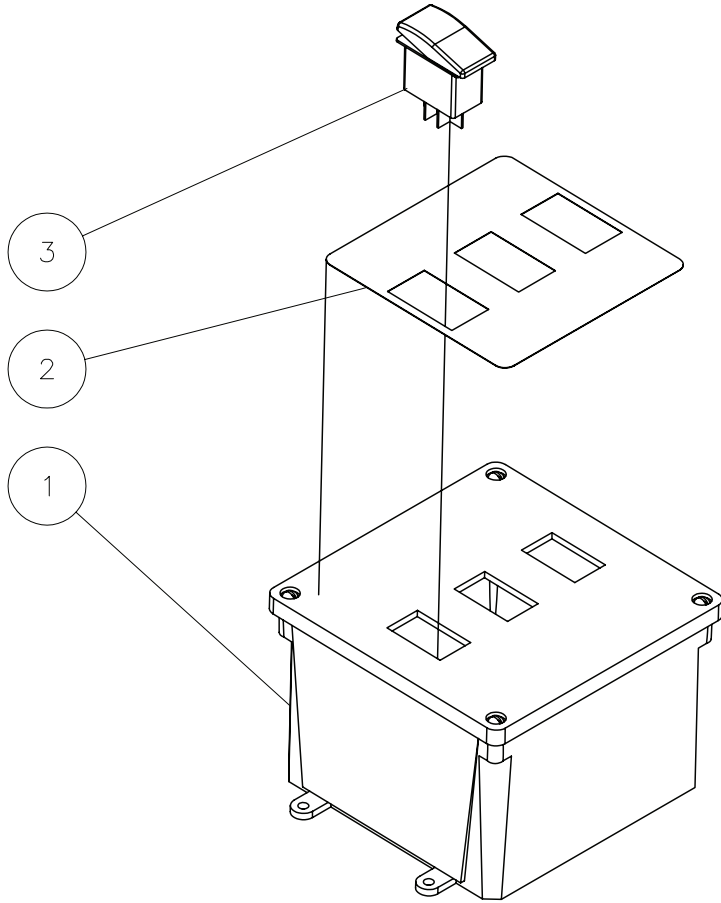


HEO REMOTE JUNCTION BOX-032202-BAR

REMOTE JUNCTION BOX (HX-0108, HX-0223 AND HX-0124)			
REF. #	DESCRIPTION	PART #	QTY.
1	Cover	32-0750	1
2	Terminal Strip	32-0436	2
3	Bolt	27-0015	4
4	Washer	28-0002	4
5	Locknut	30-0155	4
6	Electric Box Bracket	20-0626A18	1
7	Conduit *(One Foot Required)	32-0486	1
8	Conduit Elbow	32-0487	1
9	Electric Junction Box	32-0749	1
*Must Order in One Foot Lengths			

HEO REMOTE JUNCTION BOX-032202-BAR

**REMOTE BOX ASSEMBLY (HX-0108, HX-0223, HX-0110 AND HX-0124)**



HEO REMOTE BOX ASSY-020107-PO

<b>REMOTE BOX ASSEMBLY (HX-0108, HX-0223, HX-0110, HX-0124, HX-0182, HX-0183)</b>			
<b>REF. #</b>	<b>DESCRIPTION</b>	<b>PART #</b>	<b>QTY.</b>
1	Remote Box	32-0702	1
2	Decal- Remote Box	34-1296	1
3	Rocker Switch	32-0732	3



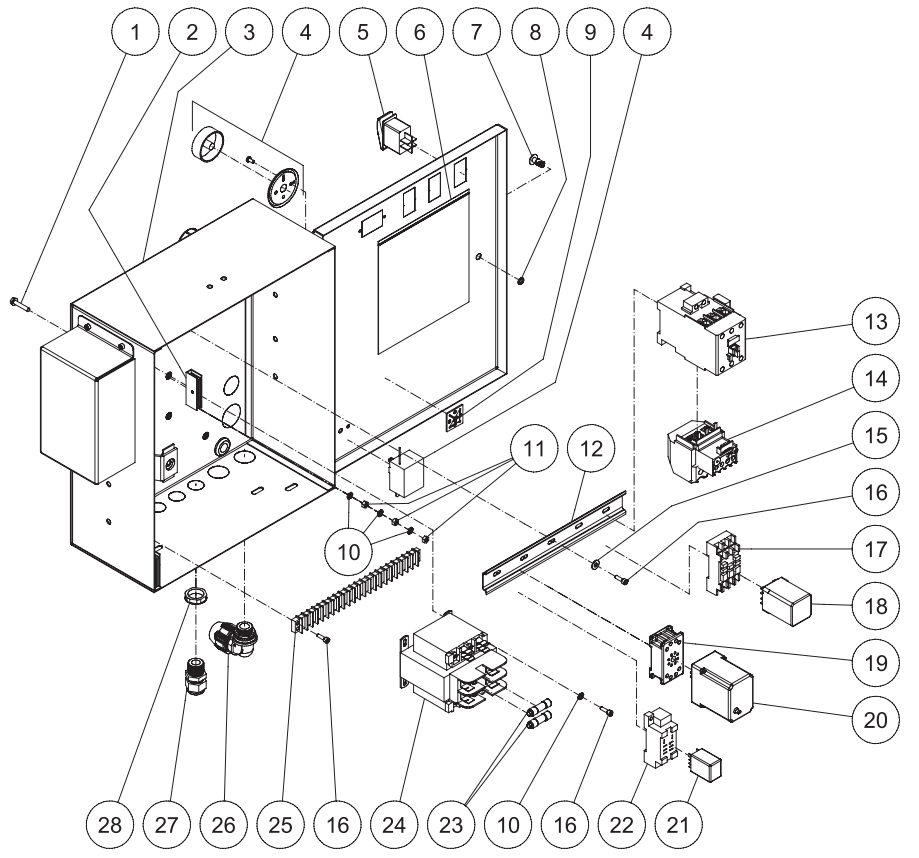
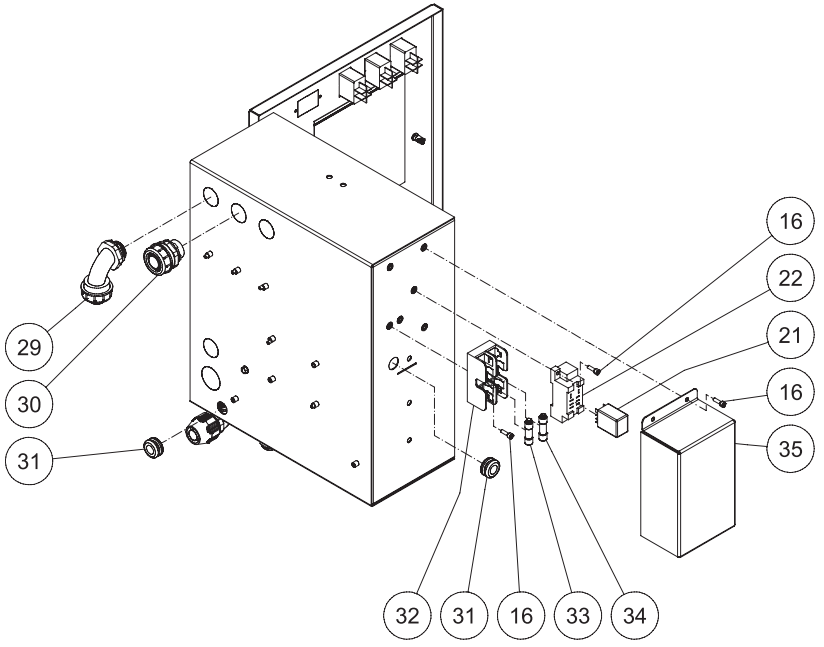


## SINGLE PHASE ELECTRIC BOX ASSEMBLY WITH TIME DELAY OR AUTO START/STOP AND REMOTES

ITEM	DESCRIPTION	PART #	QTY	ITEM	DESCRIPTION	PART #	QTY
1	BOLT	27-8807	1	22	SOCKET - RELAY 8 PIN	32-0321	1
2	MAGNETIC CATCH	33-0390	2	23	FUSE (HEO-2004; 3004; 3005-0E2G)	32-0741	2
3	ELECTRIC BOX	32-0739A18	1	-	FUSE (HEO-2004; 3004; 3005-0E8G)	32-0742	2
4	ADJUSTABLE THERMOSTAT	32-0962	1	24	TRANSFORMER	32-0735	1
5	ROCKER SWITCH	32-0732	3	25	TERMINAL STRIP	32-0463	1
6	PLASTIC ZIPLOCK BAG	41-0184	1	26	CONDUIT ELBOW	32-0254	1
7	FASTENER	33-0197	1	27	STRAIN RELIEF	32-0437	2
8	O-RING	25-0209	1	28	ELECTRICAL LOCKNUT	32-0108	2
9	MOUNTING BASE	32-0621	6	29	CONDUIT ELBOW	32-0487	1
10	STAR WASHER	28-1009	5	30	CONDUIT STRAIGHT	32-0488	1
11	NUT	30-6001	3	31	GROMMET	33-0001	2
12	DIN RAIL (ONE FOOT REQUIRED)	32-0316	1	32	BOLT (HEO-3004; 3005-0E2G/8G)	27-0024	2
13	CONTACTOR - 30AMP (HEO-2004-0E2G)	32-0597	1	-	BOLT (HEO-2004-0E2G/8G)	27-0024	1
-	CONTACTOR - 45AMP (HEO-2004-0E8G) (HEO-3004-0E2G/8G)	32-0328	1	33	2 POLE FUSE BLOCK	32-0681	1
-	CONTACTOR - 60AMP (HEO-3005-0E2G/8G)	32-0598	1	34	FUSE (HEO-2004; 3004; 3005-0E2G/8G)	32-0743	1
14	OVERLOAD RELAY (HEO-2004-0E2G)	32-0484	1	35	FUSE - 1.5 AMPS (HEO-2004; 3004; 3005-0E2G/8G)	32-0468	1
-	OVERLOAD RELAY (HEO-2004-0E8G) (HEO-3004-0E2G/8G)	32-0485	1	36	COVER	20-1148A18	1
-	OVERLOAD RELAY (HEO-3005-0E2G/8G)	32-0490	1	37	CAPACITOR (HEO-3005-0E2G/8G)	32-0748	2
15	WASHER	28-0001	3	-	CAPACITOR (HEO-2004; 3004-0E2G/8G)	32-0519	1
16	SCREW	27-8835	13	38	CAPACITOR (HEO-3004; 3005-0E2G/8G)	32-0747	2
17	BASE - RELAY	32-0737	3	-	CAPACITOR (HEO-2004-0E2G/8G)	32-0686	1
18	RELAY - LATCHING	32-0736	3	39	CAPACITOR CLAMP (HEO-3004-0E2G/8G)	20-0538A01	1
19	SOCKET - TIMER 24VOLT (HX-0223; HX-0124)	32-0315	1	-	CAPACITOR CLAMP (HEO-2004-0E2G/8G)	20-0467	1
20	TIMER - OFF DELAY 24VOLT (HX-0223; HX-0124)	32-0314	1	-	CAPACITOR CLAMP (HEO-3005-0E2G/8G)	20-0467	2
21	RELAY - 24V (HX-0223; HX-0124)	32-0320	2	40	LOCKNUT (HEO-3004; 3005-0E2G/8G)	30-0155	2
-	RELAY - 24V	32-0320	1	-	LOCKNUT (HEO-2004-0E2G/8G)	30-0155	1
22	SOCKET - RELAY 8 PIN (HX-0223; HX-0124)	32-0321	2	* MUST ORDER IN ONE FOOT LENGTHS			

**THREE PHASE ELECTRIC BOX ASSEMBLY W/ TIME DELAY OR AUTO START/STOP AND REMOTES (HX-0108, HX-0223 AND HX-0124)**

HEO THREE PHASE ELE. BOX ASSY W/ TIME DELAY OR AUTO START  
STOP AND REMOTES- 100810-CH

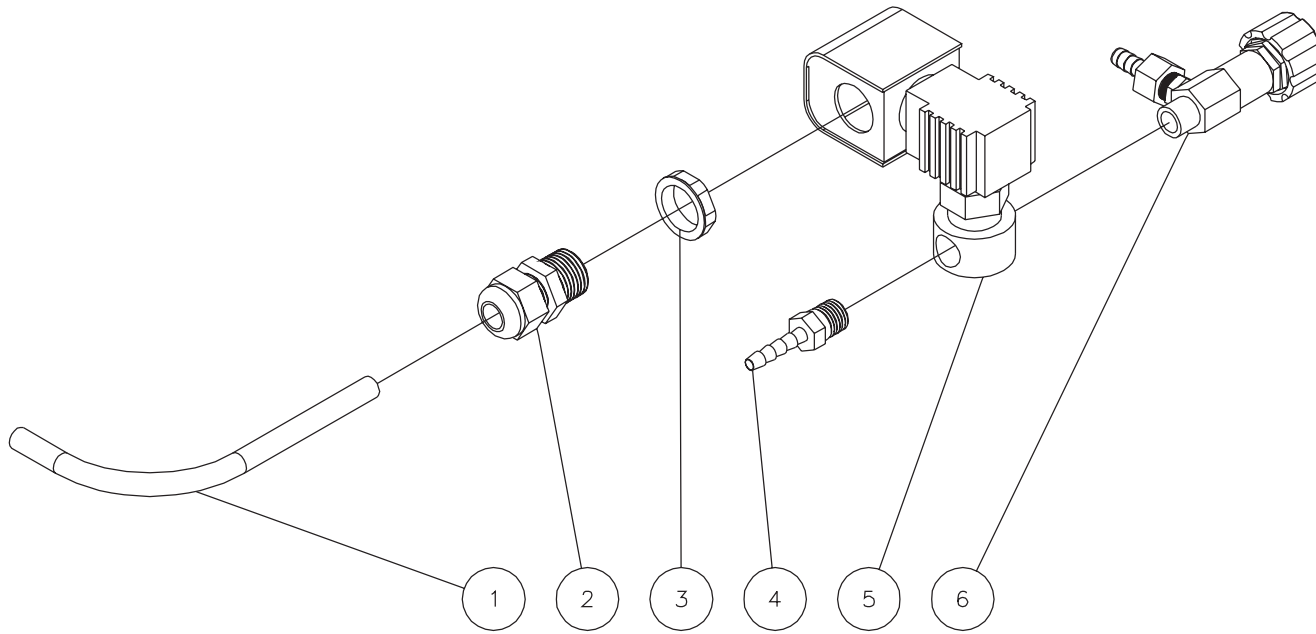


## THREE PHASE ELECTRIC BOX ASSEMBLY WITH TIM DELAYS OR AUTO START STOP AND REMOTES

ITEM	DESCRIPTION	PART #	QTY	ITEM	DESCRIPTION	PART #	QTY
1	BOLT	27-8807	1	18	RELAY - LATCHING	32-0736	3
2	MAGNETIC CATCH	33-0390	2	19	SOCKET - TIMER 24VOLT (HX-0223; HX-0124)	32-0315	1
3	ELECTRIC BOX	32-0739A18	1	20	TIMER - OFF DELAY 24VOLT (HX-0223; HX-0124)	32-0314	1
4	ADJUSTABLE THERMOSTAT	32-0962	1	21	RELAY - 24V (HX-0223; HX-0124)	32-0320	2
5	ROCKER SWITCH	32-0732	3	-	RELAY - 24V	32-0320	1
6	PLASTIC ZIPLOCK BAG	41-0184	1	22	SOCKET - RELAY 8 PIN (HX-0223; HX-0124)	32-0321	2
7	FASTENER	33-0197	1	-	SOCKET - RELAY 8 PIN	32-0321	1
8	O-RING	25-0209	1	23	FUSE (HEO-2004; 3004; 3005-0E3G)	32-0741	2
9	MOUNTING BASE	32-0621	6	-	FUSE (HEO-2004; 3004; 3005-0E4G)	32-0740	2
10	STAR WASHER	28-1009	5	-	FUSE (HEO-2004; 3004; 3005-0E9G)	32-0742	2
11	NUT	30-6001	3	24	TRANSFORMER	32-0735	1
12	DIN RAIL (ONE FOOT REQUIRED)	32-0316	1	25	TERMINAL STRIP	32-0463	1
13	CONTACTOR - 30AMP (HEO-3004-0E9G) (HEO-3005-0E3G)	32-0597	1	26	CONDUIT ELBOW	32-0254	1
-	CONTACTOR - 24AMP (HEO-2004-E3G/9G) (HEO-3004-0E3G)	32-0329	1	27	STRAIN RELIEF	32-0437	2
-	CONTACTOR - 16AMP (HEO-2004; 3004; 3005-0E4G)	32-0327	1	28	ELECTRICAL LOCKNUT	32-0108	2
-	CONTACTOR - 45AMP (HEO-3005-0E9G)	32-0328	1	29	CONDUIT ELBOW	32-0487	1
14	OVERLOAD RELAY (HEO-3004-0E9G) (HEO-3005-0E3G/9G)	32-0484	1	30	CONDUIT STRAIGHT	32-0488	1
-	OVERLOAD RELAY (HEO-3004-0E4G)	32-0482	1	31	GROMMET	33-0001	2
-	OVERLOAD RELAY (HEO-2004-0E3G/9G) (HEO-3004-0E3G)	32-0483	1	32	2 POLE FUSE BLOCK	32-0681	1
-	OVERLOAD RELAY (HEO-2004; 3005-0E4G)	32-0481	1	33	FUSE	32-1024	1
15	WASHER	28-0001	3	34	FUSE - 1.5 AMPS (HEO-2004; 3004; 3005-0E3G/9G)	32-0468	1
16	SCREW	27-8835	13	-	FUSE - 1.5 AMPS (HEO-2004; 3004; 3005-0E4G)	32-1084	2
17	BASE - RELAY	32-0737	3	35	COVER	20-1148A18	1

\* MUST ORDER IN ONE FOOT LENGTHS

## DETERGENT SOLENOID FOR TIME DELAY AND REMOTES (HX-0108, HX-0223 AND HX-0124)



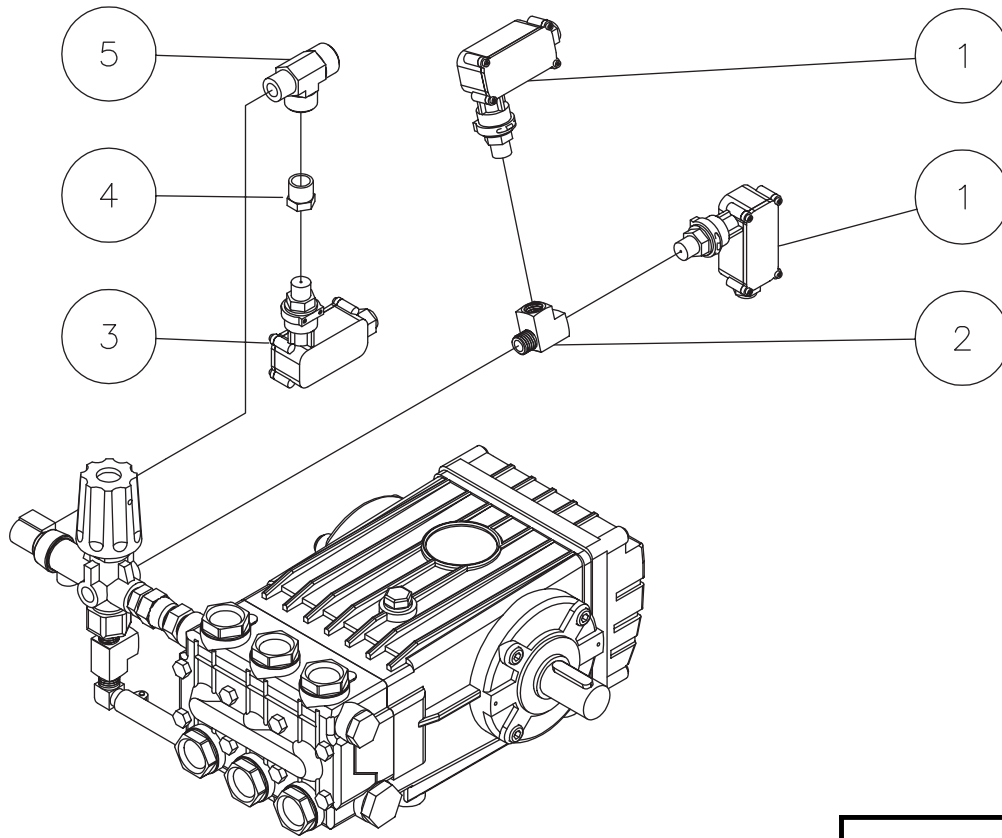
HEO DETERGENT SOLENOID FOR TIME DELAY/REMOTES-032202-BAR

### DETERGENT SOLENOID FOR TIME DELAY AND REMOTES

REF. #	DESCRIPTION	PART #	QTY.
1	Cord *(Two Feet Required)	32-0075	1
2	Strain Relief	32-0437	1
3	Locknut	32-0108	1
4	Hose Barb	23-0051	1
5	Detergent Solenoid	32-0733	1
6	Detergent Valve	22-0226	1
*Must Order in One Foot Lengths			

HEO DETERGENT SOLENOID FOR TIME DELAY AND REMOTES-032202-BAR

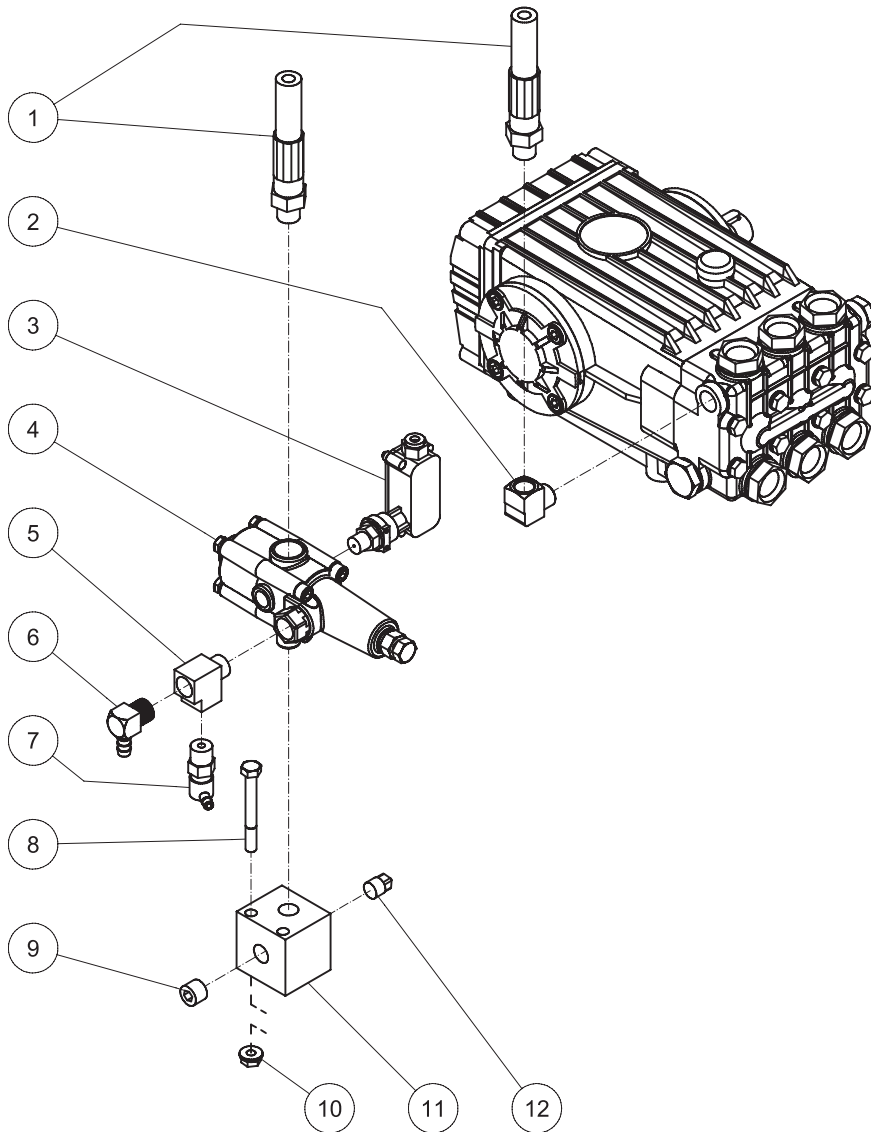
## AUTO START/STOP PLUMBING (HX-0111 AND HX-0124)



HEO AUTO START STOP PLUMBING-061005-RZ

AUTO START/STOP PLUMBING (HX-0111 AND HX-0124)			
REF. #	DESCRIPTION	PART #	QTY.
1	Pressure Switch	22-0171	2
2	Tee	23-0127	2
3	Pressure Switch	22-0243	1
4	Reducer	23-0017	1
5	Street Tee	23-0058	1

### K7 OPTION (HX-0104 AND HX-0112)

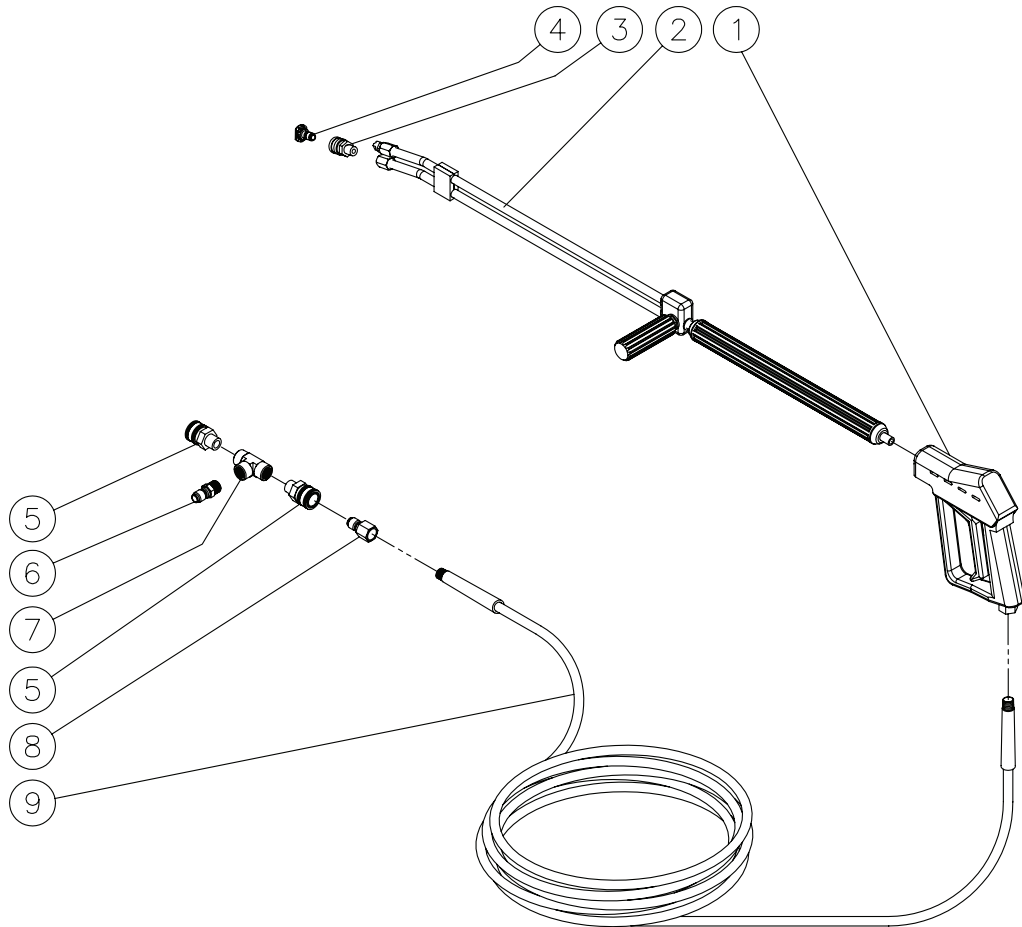


HEO K7 OPTION-040309-CH

#### K7 OPTION (HX-0104 AND HX-0112)

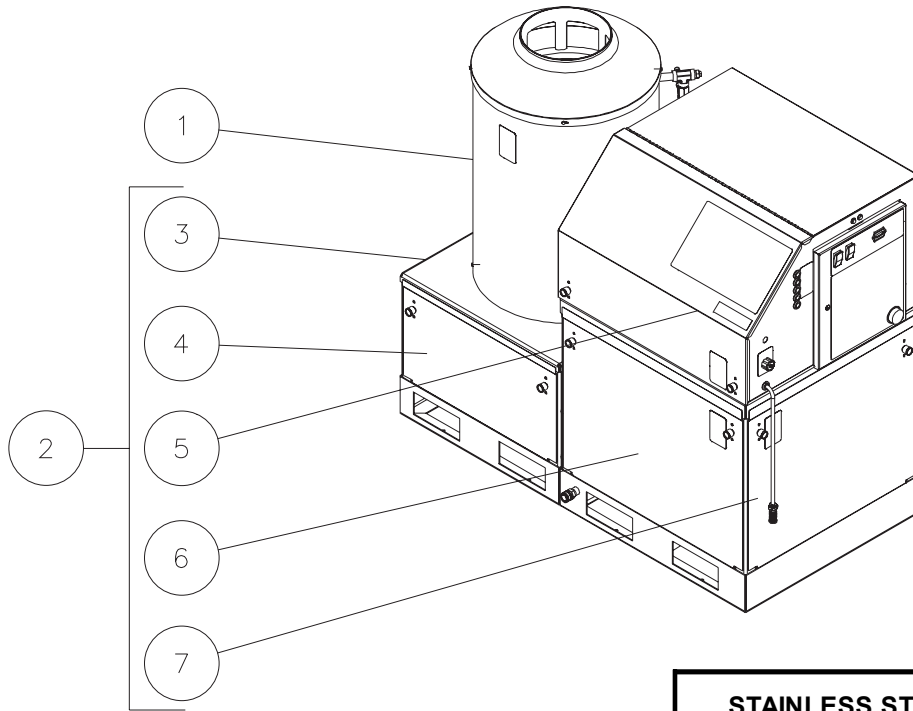
REF. #	DESCRIPTION	PART #	QTY.
1	High Pressure Hose	15-0194	1
2	Elbow	23-0034	1
3	Pressure Switch	22-0119	1
4	Unloader (HEO-2004/3005)	8-0013	1
-	Unloader (HEO-3004)	8-0012	1
5	Tee	23-0382	1
6	Elbow	23-0074	1
7	Heat Dump Valve	22-0432	1
8	Bolt	27-8040	2
9	Plug	23-0244	1
10	Hex Nut	30-3023	2
11	Manifold Block	51-0024	1
12	Plug	23-0238	1

## DUAL GUN OPTION (HX-0114)



HEO DUAL GUN OPTION-090210-BF			
DUAL GUN OPTION (HX-0114)			
REF. #	DESCRIPTION	PART #	QTY.
1	Gun Assembly	16-0446	1
2	Lance Extension	16-0417	1
-	Lance Extension	16-0416	1
3	Quick Connect Socket	17-0028	1
4	Nozzle- 0002.5 (HX-0114) (HEO-3005)	18-0316	2
-	Nozzle- 1502.5 (HX-0114) (HEO-3005)	18-0317	2
-	Nozzle- 2505.5 (HX-0114) (HEO-3005)	18-0318	2
-	Nozzle- 4002.5 (HX-0114) (HEO-3005)	18-0319	2
5	Quick Connect Socket	17-0007	2
6	Quick Connect Plug	17-0005	1
7	Tee	24-0026	1
8	Quick Connect Plug	17-0006	1
9	High Pressure Hose 4500PSI	15-0166	1
-	High Pressure Hose 3000PSI	15-0146	1
7	Tee	24-0026	1
8	Quick Connect Plug	17-0006	1
9	High Pressure Hose 4500PSI	15-0166	1
-	High Pressure Hose 3000PSI	15-0146	1

## STAINLESS STEEL MODULAR PANELS AND COIL WRAP OPTION (HX-0115 AND HX-0116)



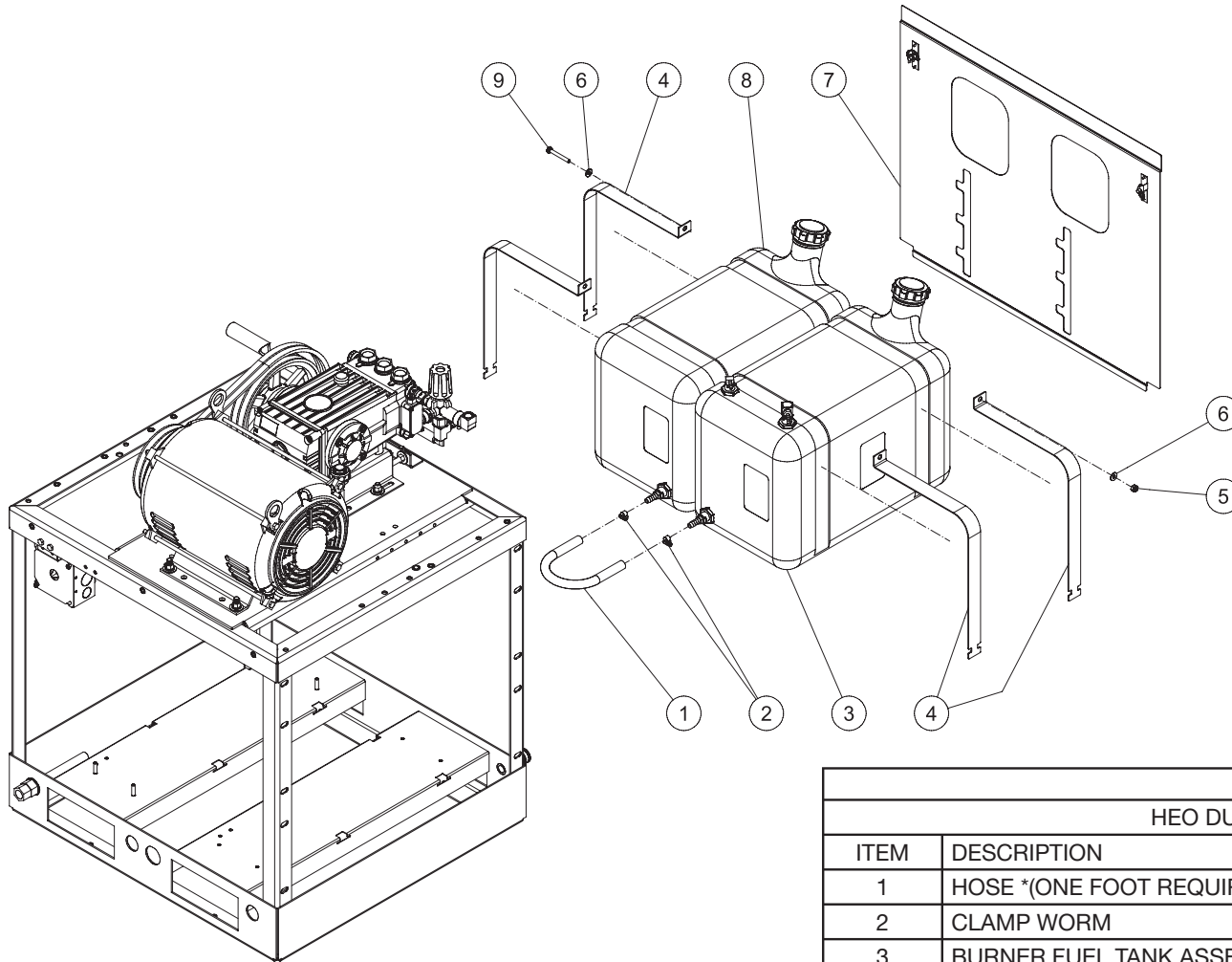
HEO SS MODULAR PNLS & COIL WRAP OPTION-031102-BAR

STAINLESS STEEL MODULAR PANELS AND COIL WRAP OPTION (HX-0115 AND HX-0116)			
REF. #	DESCRIPTION	PART #	QTY.
1	Outer Wrap Assembly (HX-0116)	21-0164	1
2	Module Panels (Inc. 3-7)	HX-0115	1
3	Side Coil Stainless Steel Access Panel Assembly	850-0320	1
4	Front Coil Stainless Steel Access Panel Assembly	850-0319	1
5	Stainless Steel Door Assembly w/Hinge	850-0316	1
6	Front Motor Stainless Steel Access Panel Assembly	850-0317	1
7	Side Motor Stainless Steel Access Panel Assembly	850-0318	1

HEO SS MODULAR PNLS & COIL  
WRAP OPTION-031102-BAR



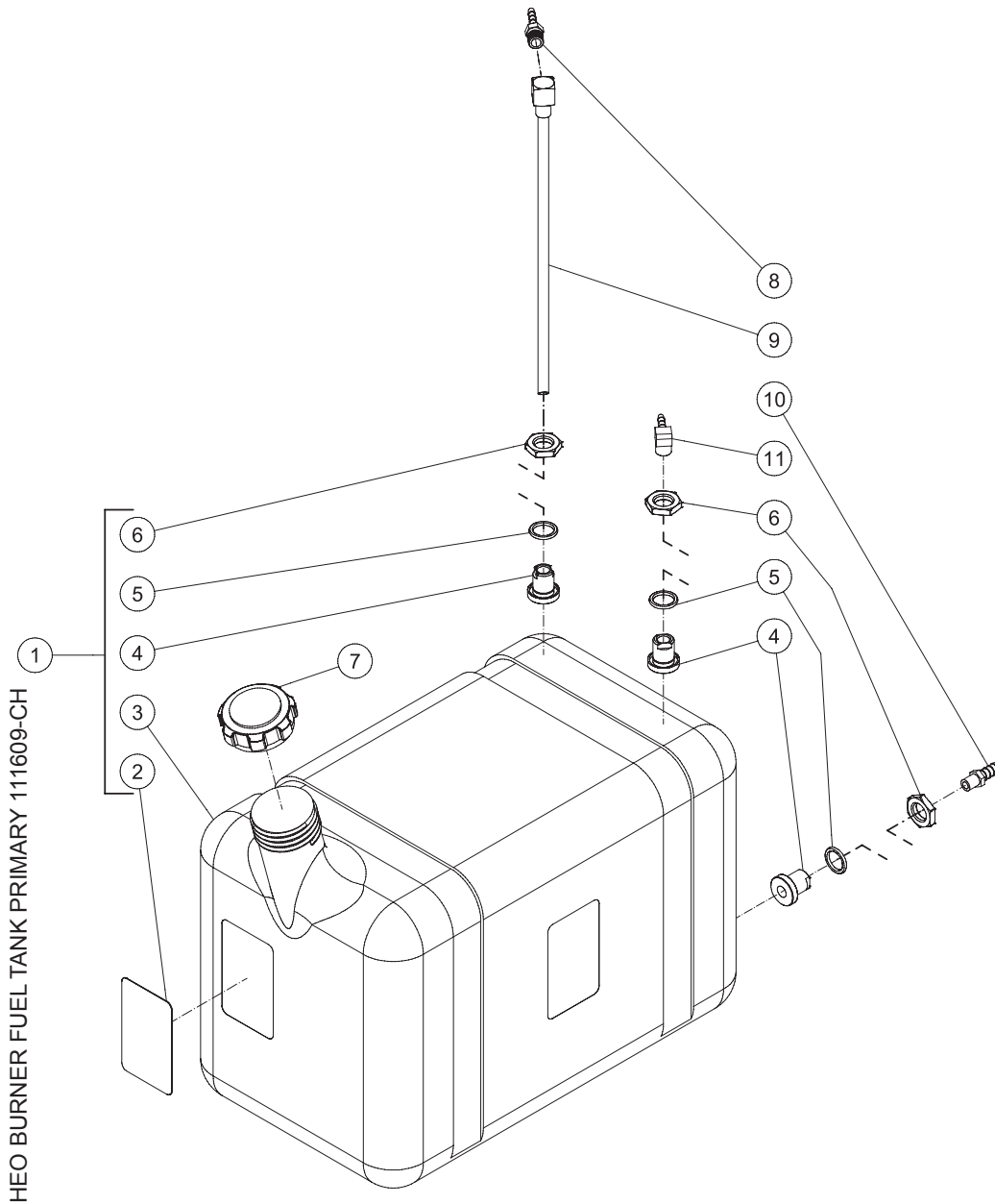
## DUAL FUEL TANK (HX-0218)



HEO DUAL FUEL TANK ASSY 111609-CH			
HEO DUAL FUEL TANK			
ITEM	DESCRIPTION	Mi-T-M #	QTY
1	HOSE *(ONE FOOT REQUIRED)	15-0020	1
2	CLAMP WORM	42-0004	2
3	BURNER FUEL TANK ASSEMBLY	850-0386	1
4	TANK STRAP	20-0585A18	4
5	LOCKNUT	30-0155	2
6	WASHER	28-0002	4
7	PANEL - MOTOR/FRONT	850-0388	1
8	BURNER FUEL TANK ASSEMBLY	850-0387	1
9	BOLT	27-0020	2
* MUST ORDER IN ONE FOOT LENGTHS			

HEO DUAL FUEL TANK ASSY 111609-CH

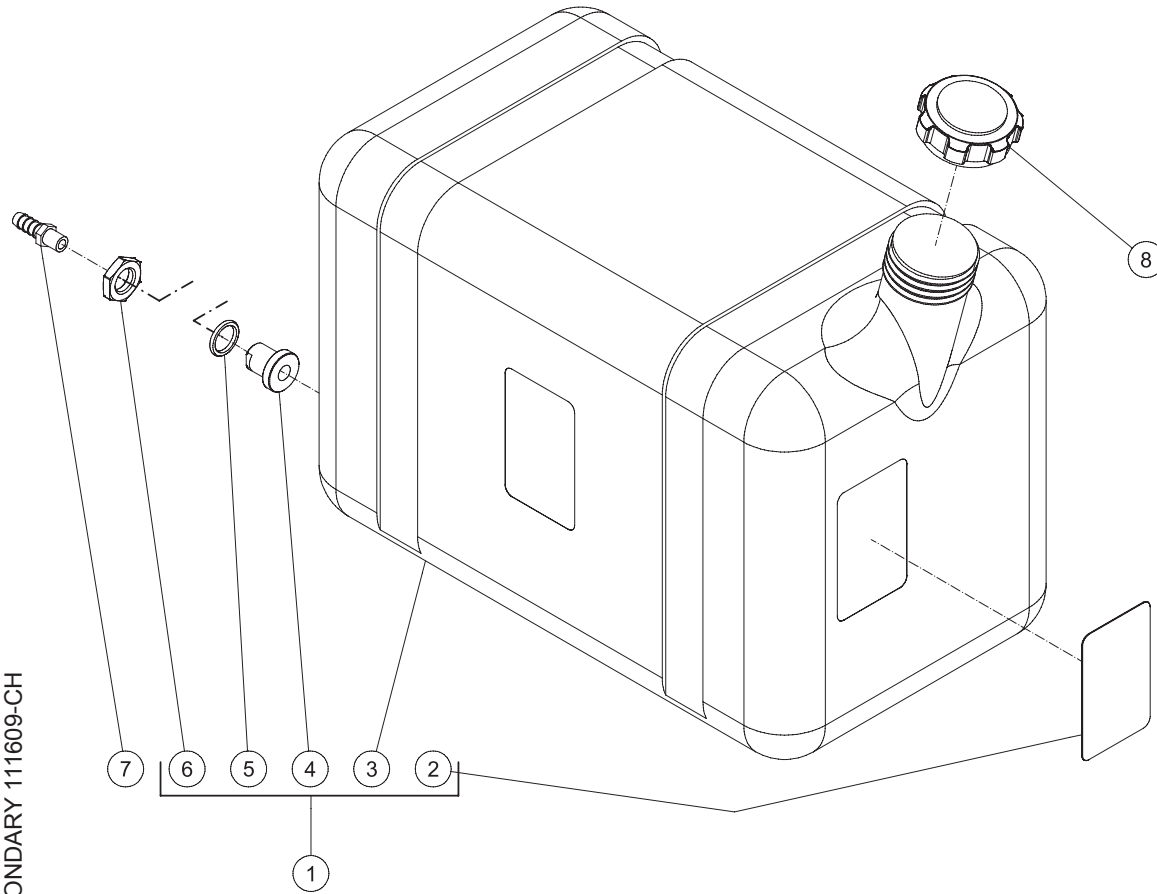
## PRIMARY BURNER FUEL TANK (850-0386)



HEO BURNER FUEL TANK PRIMARY 111609-CH

HEO BURNER FUEL TANK PRIMARY 111609-CH			
PRIMARY BURNER FUEL TANK			
ITEM	DESCRIPTION	Mi-T-M #	QTY
1	FUEL TANK ASSEMBLY (INC. 2-6)	850-0386	1
2	DECAL-CAUTION RISK OF FIRE *(SEE 34-2091)	N/A	1
3	FUEL TANK	N/A	1
4	BULKHEAD FITTING	23-0408	3
5	O-RING	25-0427	3
6	NUT	23-0409	3
7	FUEL CAP	12-0033	1
8	BARB	23-0051	1
9	FUEL PICK-UP	33-0352	1
10	BARB	23-0069	1
11	ELBOW	23-0054	1

## SECONDARY BURNER FUEL TANK (850-0387)

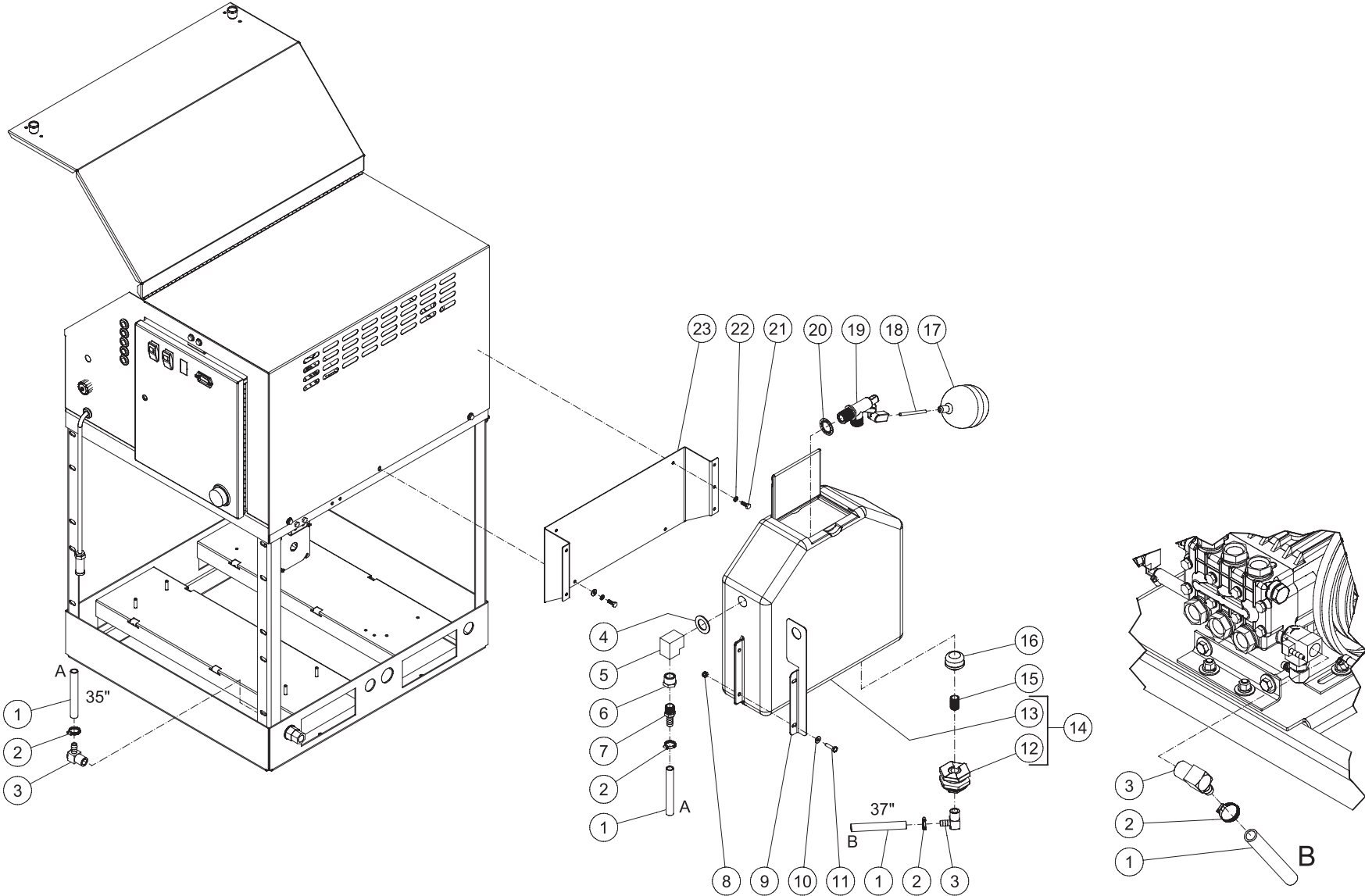


HEO BURNER FUEL TANK SECONDARY 111609-CH

HEO BURNER FUEL TANK SECONDARY 111609-CH			
SECONDARY BURNER FUEL TANK			
ITEM	DESCRIPTION	Mi-T-M #	QTY
1	FUEL TANK ASSEMBLY (INC. 2-6)	850-0387	1
2	DECAL-CAUTION RISK OF FIRE *(SEE 34-2091)	N/A	1
3	FUEL TANK	N/A	1
4	BULKHEAD FITTING	23-0408	1
5	O-RING	25-0427	1
6	NUT	23-0409	1
7	BARB	23-0069	1
8	FUEL CAP	12-0033	1

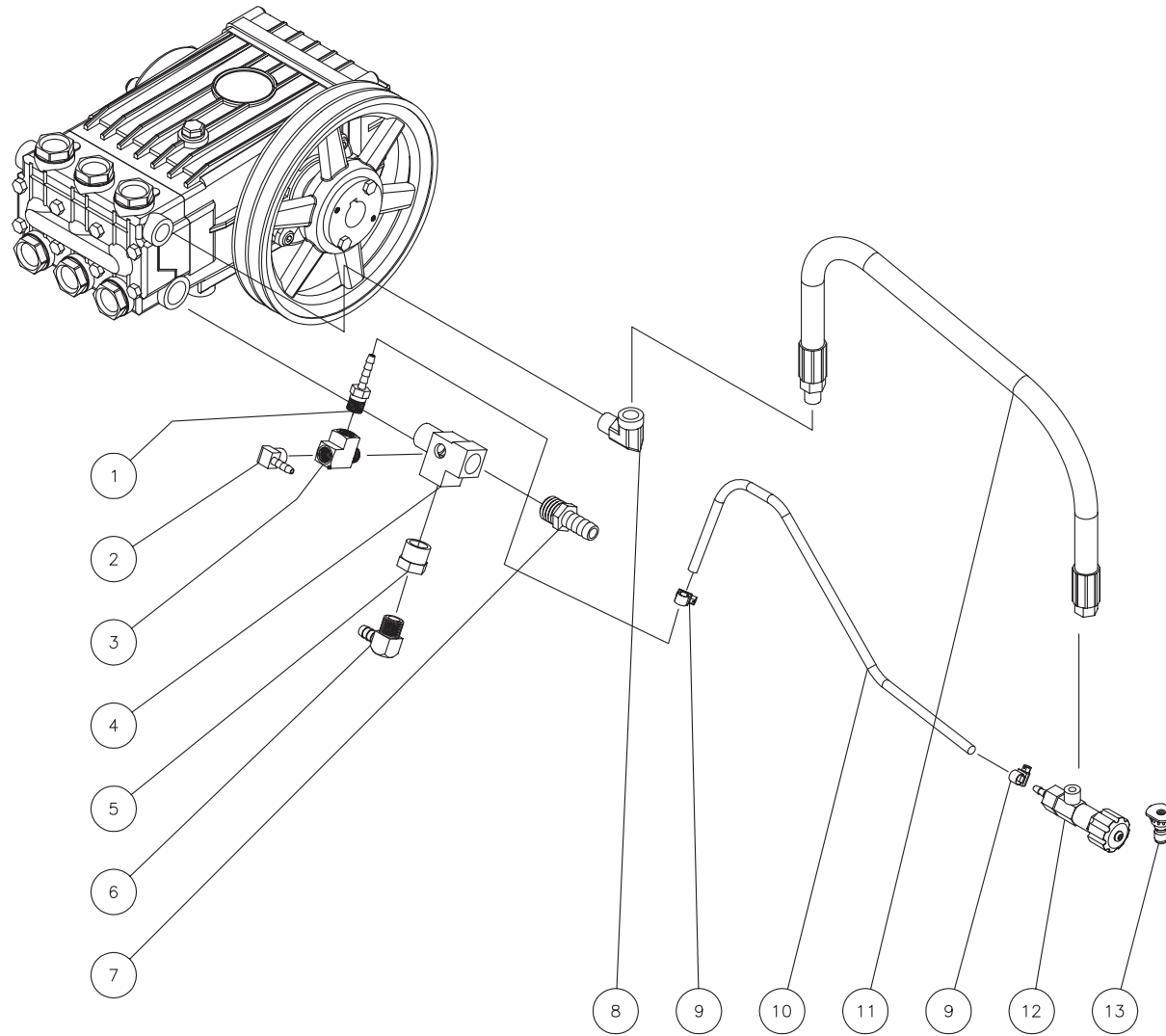
# ELEVATED FLOAT TANK (HX-0216 AND HX-0217)

HX-0216\_217 ELEVATED HEO FLOAT TANK 102809-CH



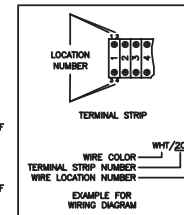
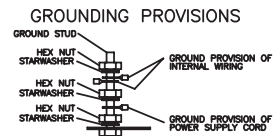
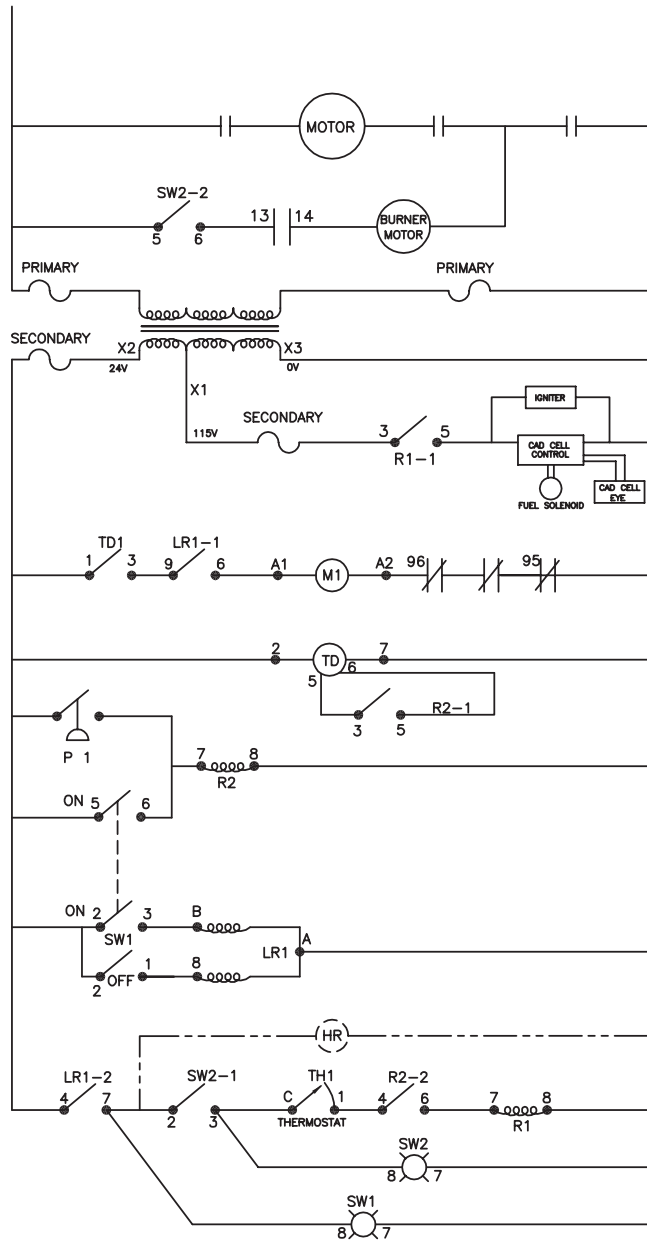
HX-216_217 ELEVATED HEO FLOAT TANK 102809-CH			
ELEVATED FLOAT TANK (HX-0216_0217)			
ITEM	DESCRIPTION	Mi-T-M #	QTY
1	HOSE *(SIX FEET REQUIRED) (HX-0216)	15-0007	1
-	HOSE *(THREE FEET REQUIRED) (HX-0217)	15-0007	1
-	HOSE *(FOUR REQUIRED) (HX-0217)	15-0033	1
2	HOSE CLAMP (HX-0216)	42-0011	4
-	HOSE CLAMP (HX-0217)	42-0011	2
-	HOSE CLAMP (HX-0217)	42-0003	2
3	ELBOW (HX-0216)	23-0053	3
-	ELBOW (HX-0217)	23-0053	1
-	ELBOW (HX-0217)	23-0037	2
4	WASHER	28-0009	1
5	ELBOW	23-0391	1
6	REDUCER	23-0023	1
7	BARB	23-0045	1
8	LOCKNUT	30-0155	4
9	BRACKET	20-0912A18	1
10	WASHER	28-0002	4
11	BOLT	27-0016	4
12	BULKHEAD	55-0886	1
13	FLOAT TANK	N/A	1
14	FLOAT TANK ASSEMBLY (INC. 12-13)	850-0391	1
15	NIPPLE	23-0019	1
16	STRAINER	19-0203	1
17	FLOAT	22-0059	1
18	BALL FLOAT STUD	31-3320	1
19	FLOAT VALVE	22-0317	1
20	LOCKWASHER	29-0074	1
21	BOLT	27-0015	2
22	LOCKWASHER	29-0006	2
23	FLOAT TANK BRACKET	20-1143A18	1
* MUST ORDER IN ONE FOOT LENGTHS			

# STEAM OPTION (HX-0120 AND HX-0121, HX-0122)



STEAM OPTION (HX-0120, HX-0121 AND HX-0122)			
REF. #	DESCRIPTION	PART #	QTY.
1	Hose Barb	23-0051	1
2	Elbow	23-0054	1
3	Tee	23-0127	1
4	Street Tee	23-0388	1
5	Bushing	23-0016	1
6	Elbow	23-0074	1
7	Hose Barb (HEO-3005)	23-0036	1
-	Hose Barb (HEO-2004/3004)	23-0045	1
8	Elbow	24-0004	1
9	Clamp Worm	42-0004	2
10	Hose *(Nine Feet Required)	15-0008	1
11	High Pressure Hose Assembly	15-0072	1
12	Steam Valve (HEO-2004/3005)	22-0329	1
-	Steam Valve (HEO-3004)	22-0349	1
13	Steam Nozzle (HX-0120) (HEO-2004)	18-0009	1
-	Steam Nozzle (HX-0121) (HEO-3004)	18-0303	1
-	Steam Nozzle (HX-0122) (HEO-3005)	18-0153	1
*Must Order in One Foot Lengths			

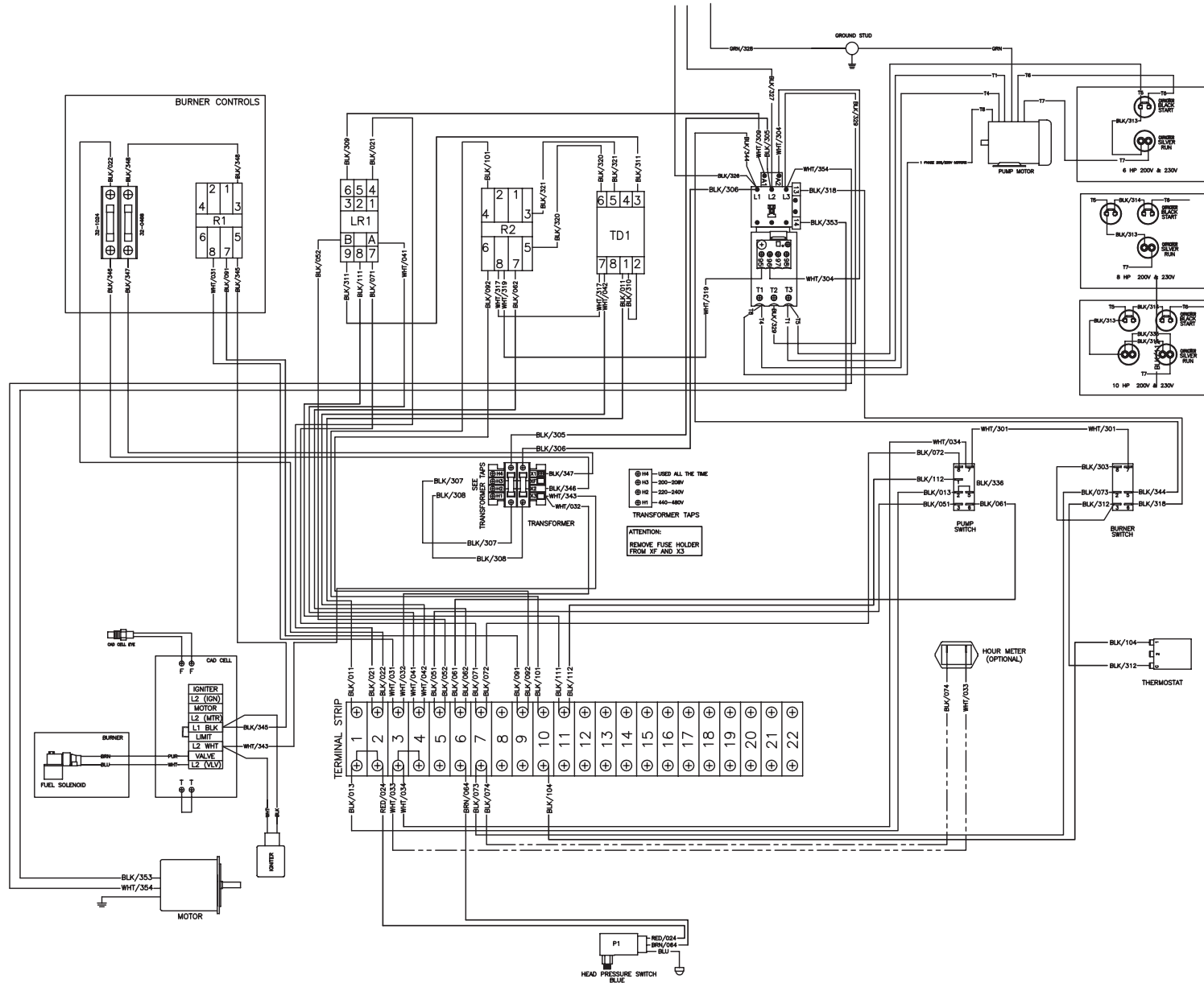
# WIRE SCHEMATIC HEO SINGLE PHASE WITH TIME DELAY (HX-0107) (AFTER SERIAL #15083509)



WS HEO 1PH 208-230V WITH TIME DELAY  
062713

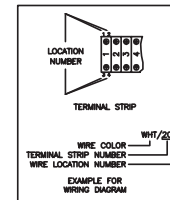
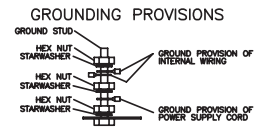
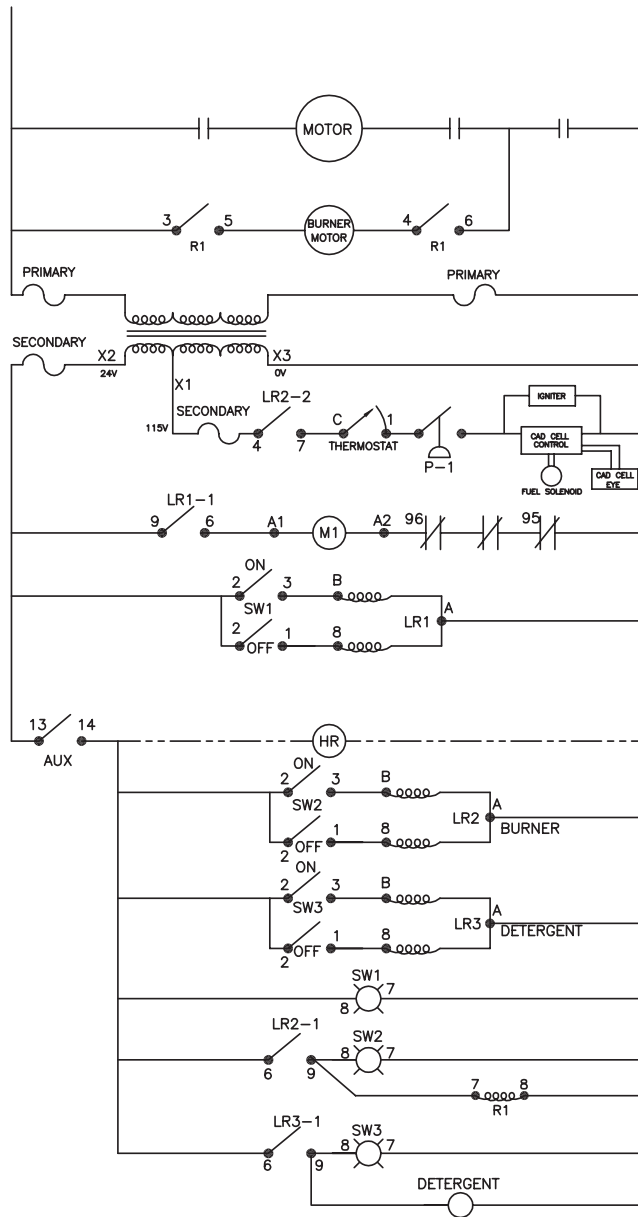


# WIRE DIAGRAM HEO SINGLE PHASE WITH TIME DELAY (HX-0107) (AFTER SERIAL #15083509)



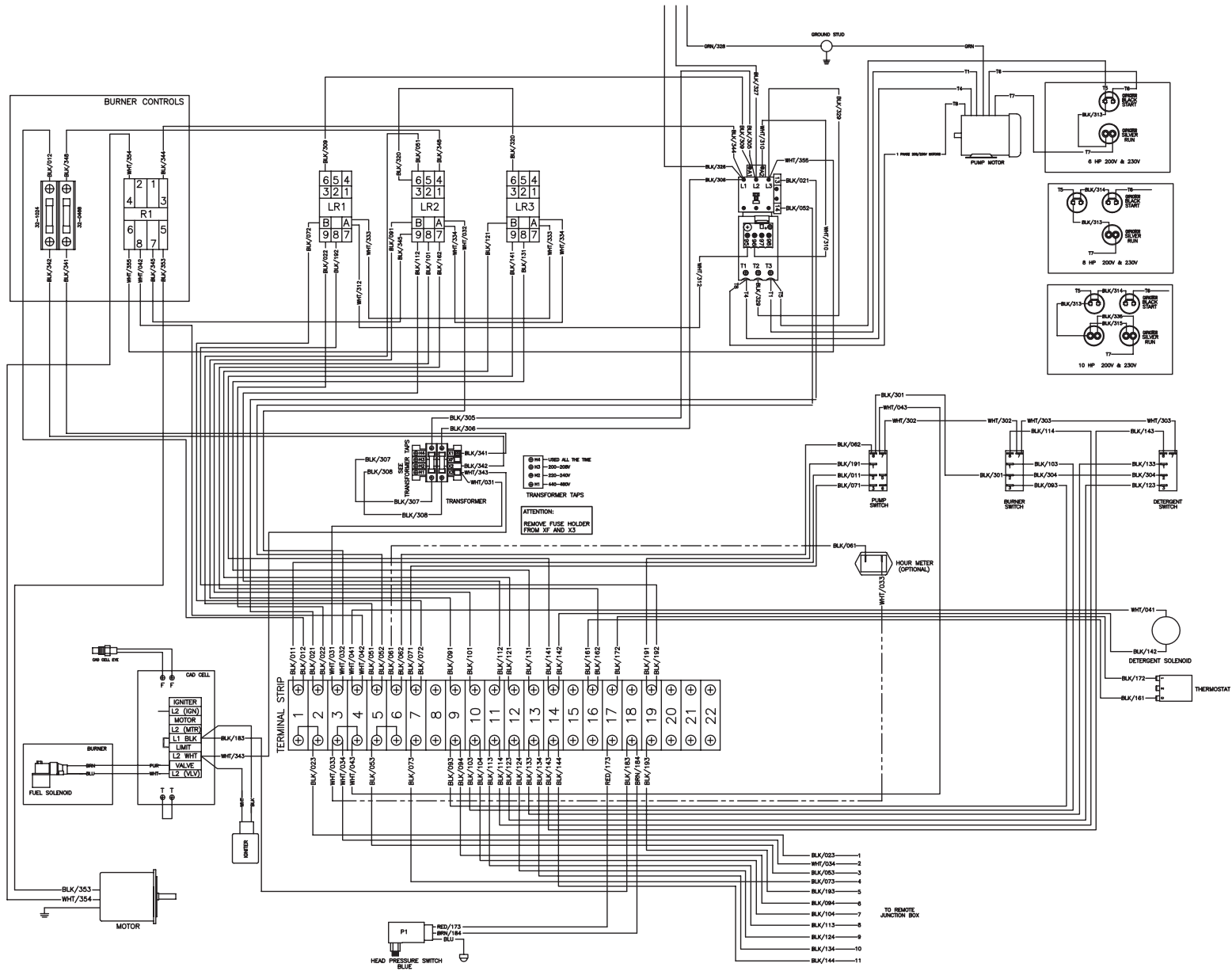
WD HEO 1PH 208-230V WITH TIME DELAY  
062713

# WIRE SCHEMATIC HEO SINGLE PHASE WITH REMOTES (HX-0108) (AFTER SERIAL #15083509)



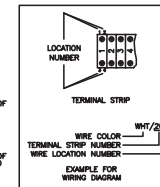
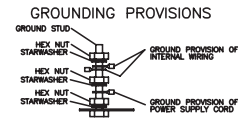
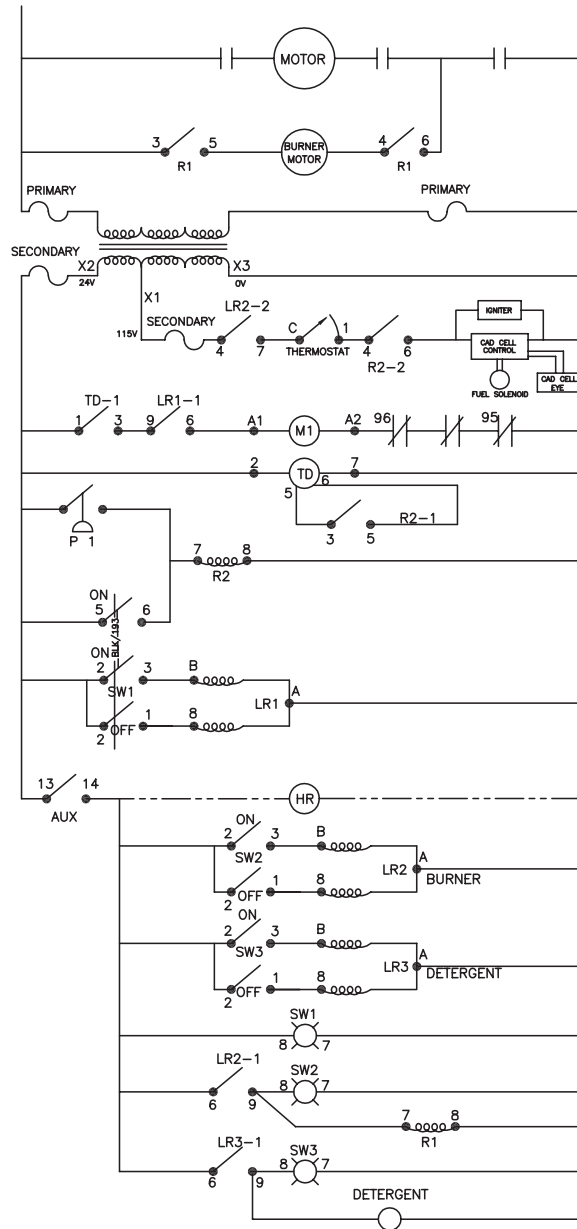
WS HEO 1 PH 208-230V WITH REMOTES  
062713

# WIRE DIAGRAM HEO SINGLE PHASE WITH REMOTES (HX-0108) (AFTER SERIAL #15083509)



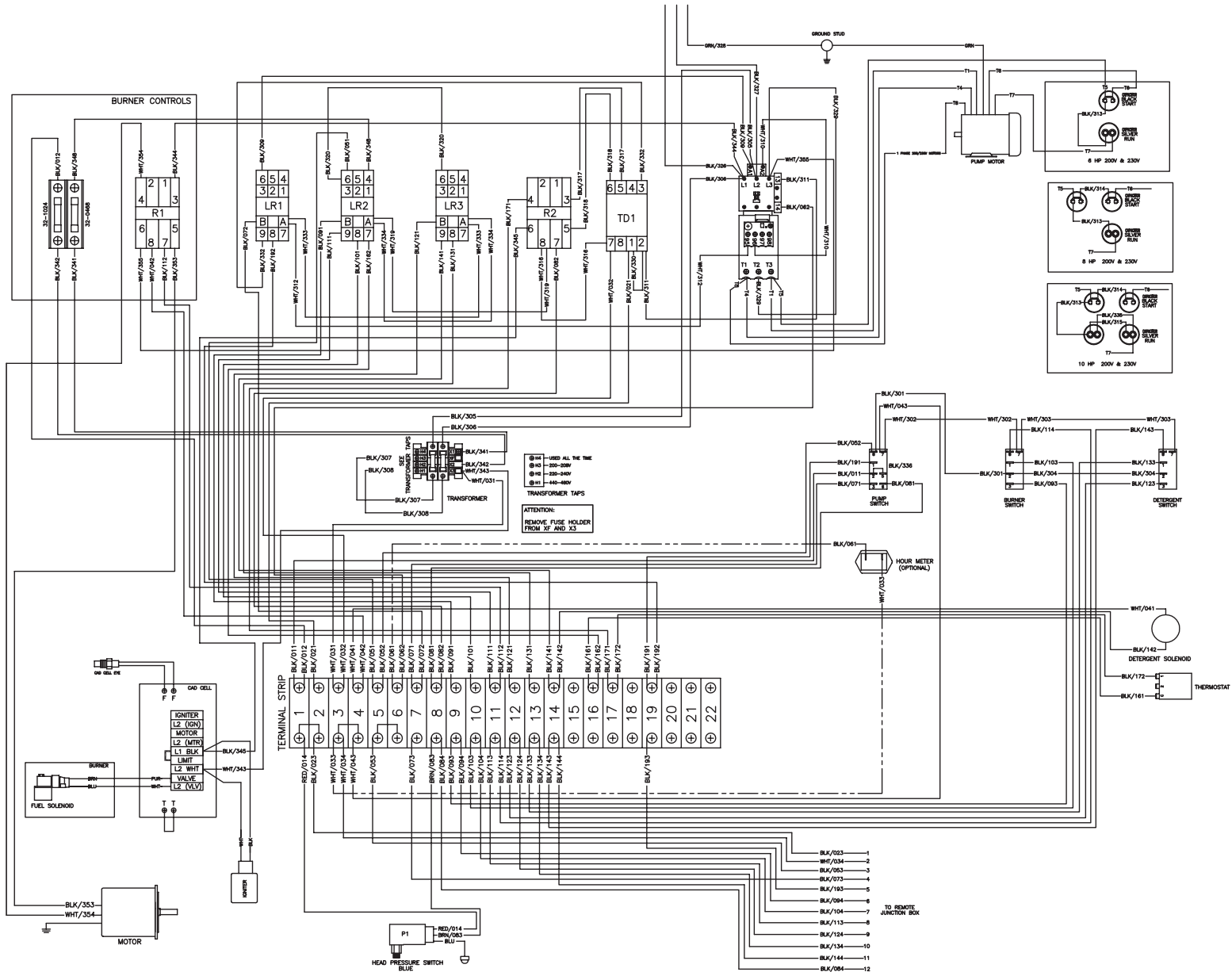
WD HEO 1 PH 208-230V WITH REMOTES  
062713

# WIRE SCHEMATIC HEO SINGLE PHASE WITH TIME DELAY AND REMOTES (HX-0223) (AFTER SERIAL #15083509)



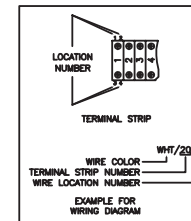
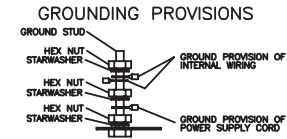
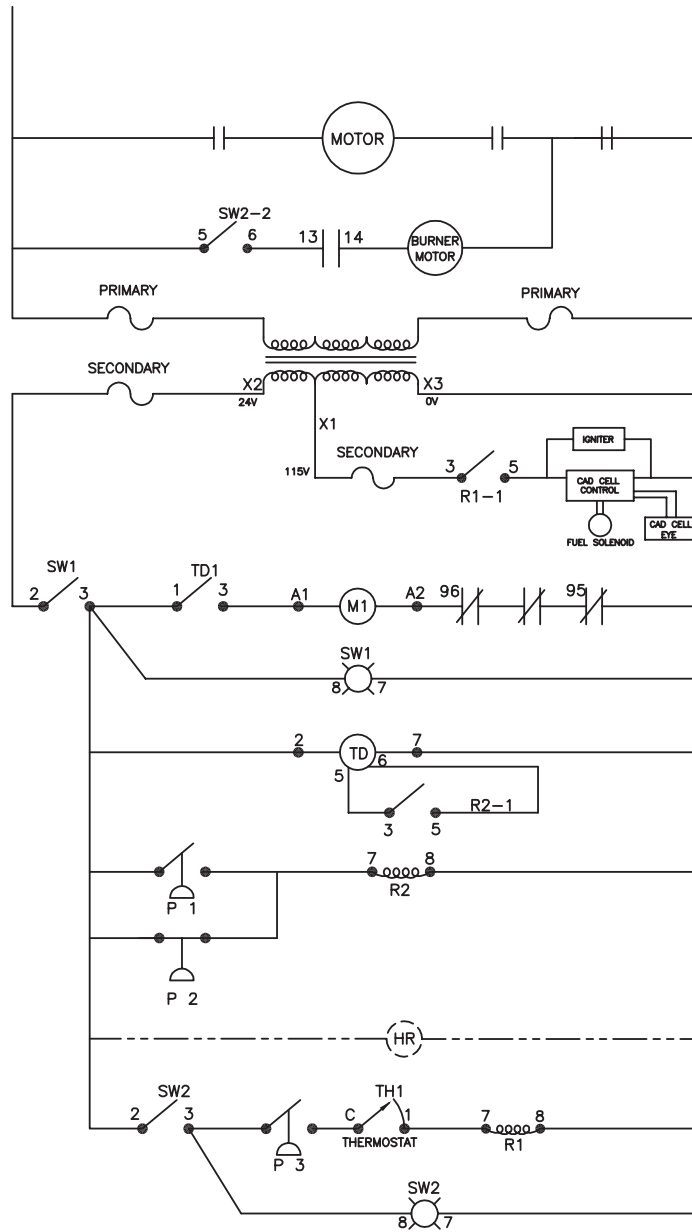
WS HEO 1PH 208-230V WITH TIME DELAY AND REMOTES 062713

# WIRE DIAGRAM HEO SINGLE PHASE WITH TIME DELAY AND REMOTES (HX-0223) (AFTER SERIAL #15083509)



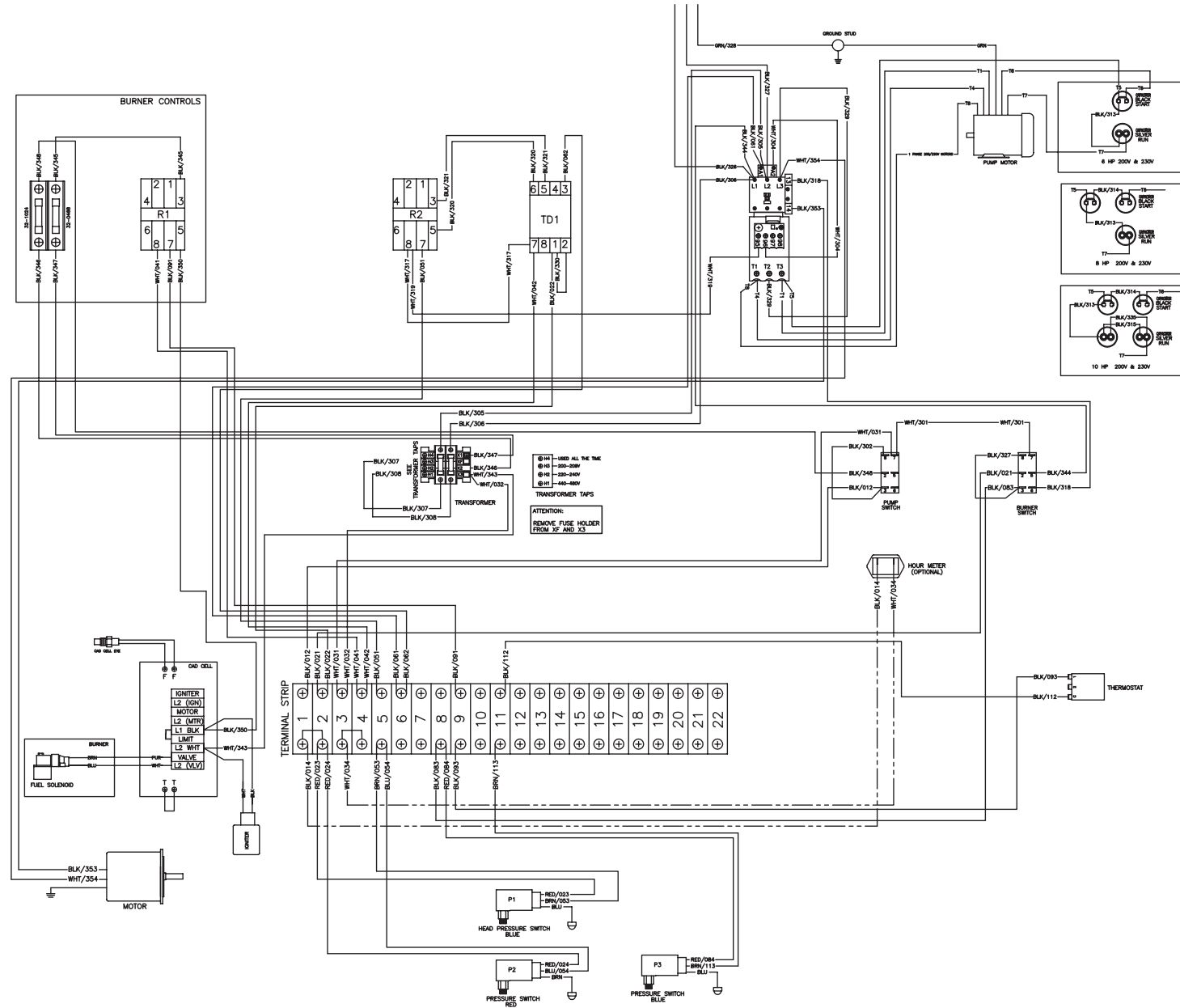
WD HEO 1PH 208-230V WITH TIME DELAY AND REMOTES 062713

# WIRE SCHEMATIC HEO SINGLE PHASE WITH AUTO START/STOP (HX-0111) (AFTER SERIAL #15083509)



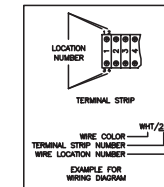
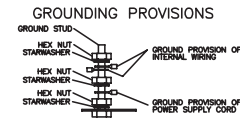
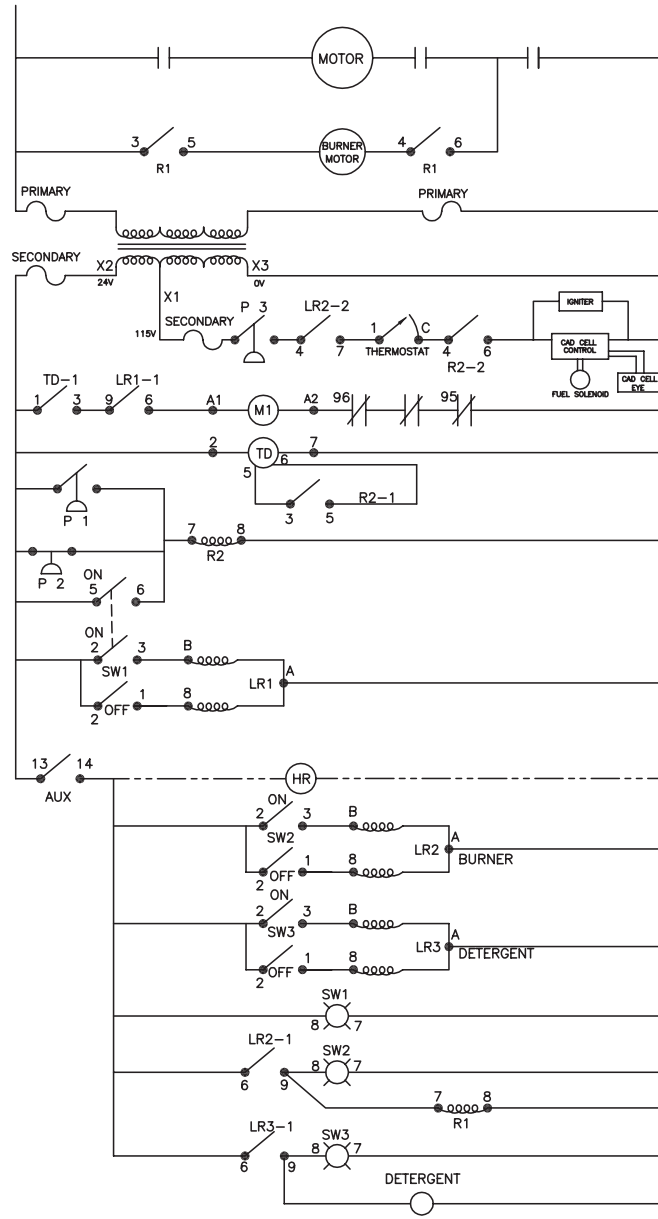
WS HEO 1PH 208-230V WITH AUTO SS 062713

# WIRE DIAGRAM HEO SINGLE PHASE WITH AUTO START/STOP (HX-0111) (AFTER SERIAL #15083509)



WIRING DIAGRAM HEO 1PH 208-230V WITH  
AUTO SS 120709.eps

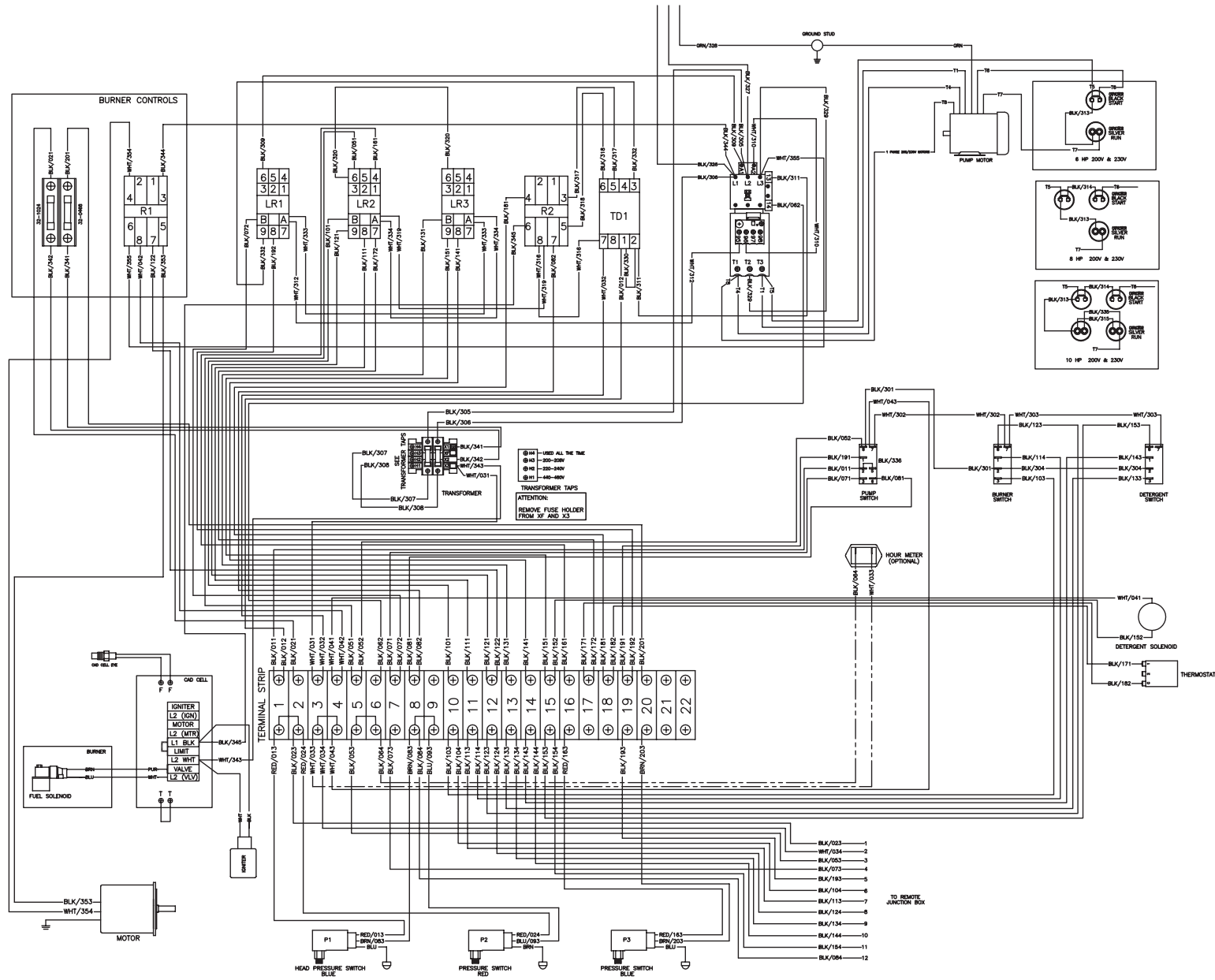
# WIRE SCHEMATIC HEO SINGLE PHASE WITH AUTO START/STOP AND REMOTES (HX-0124) (AFTER SERIAL #15083509)



WS HEO 1PH 208-230V WITH AUTO SS AND REMOTES 062713

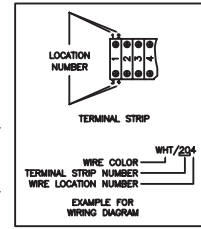
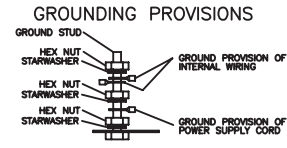
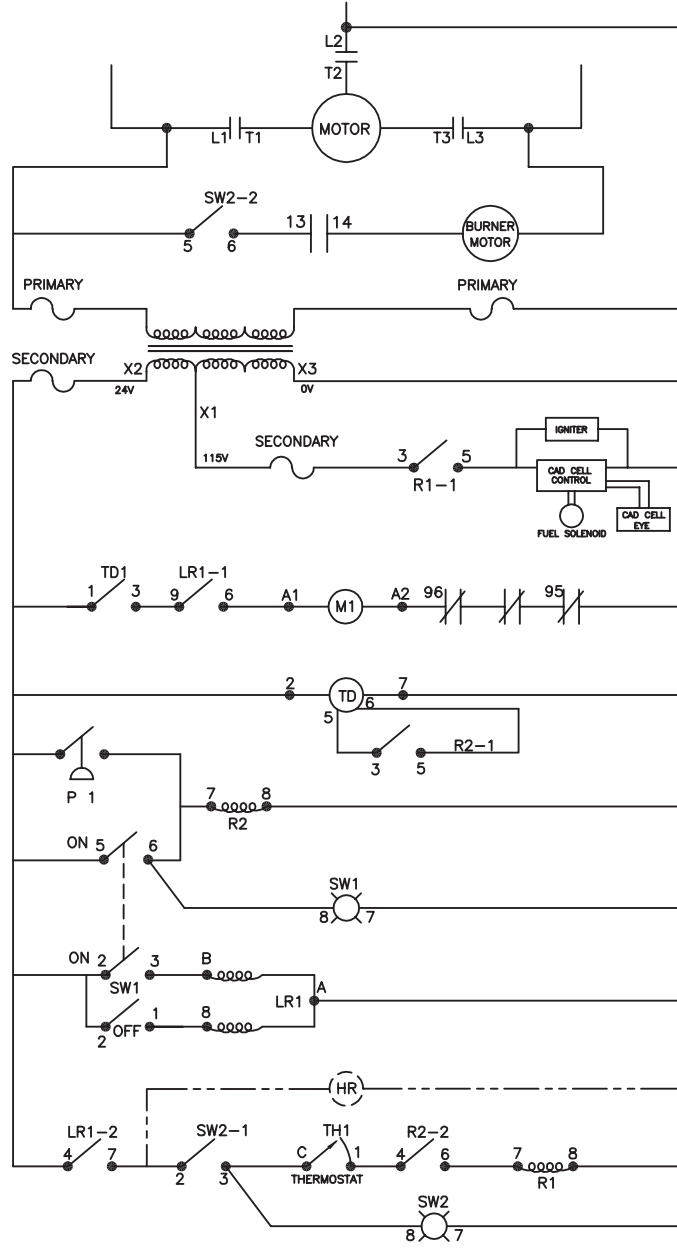


# WIRE DIAGRAM HEO SINGLE PHASE WITH AUTO START/STOP AND REMOTES (HX-0124) (AFTER SERIAL #15083509)



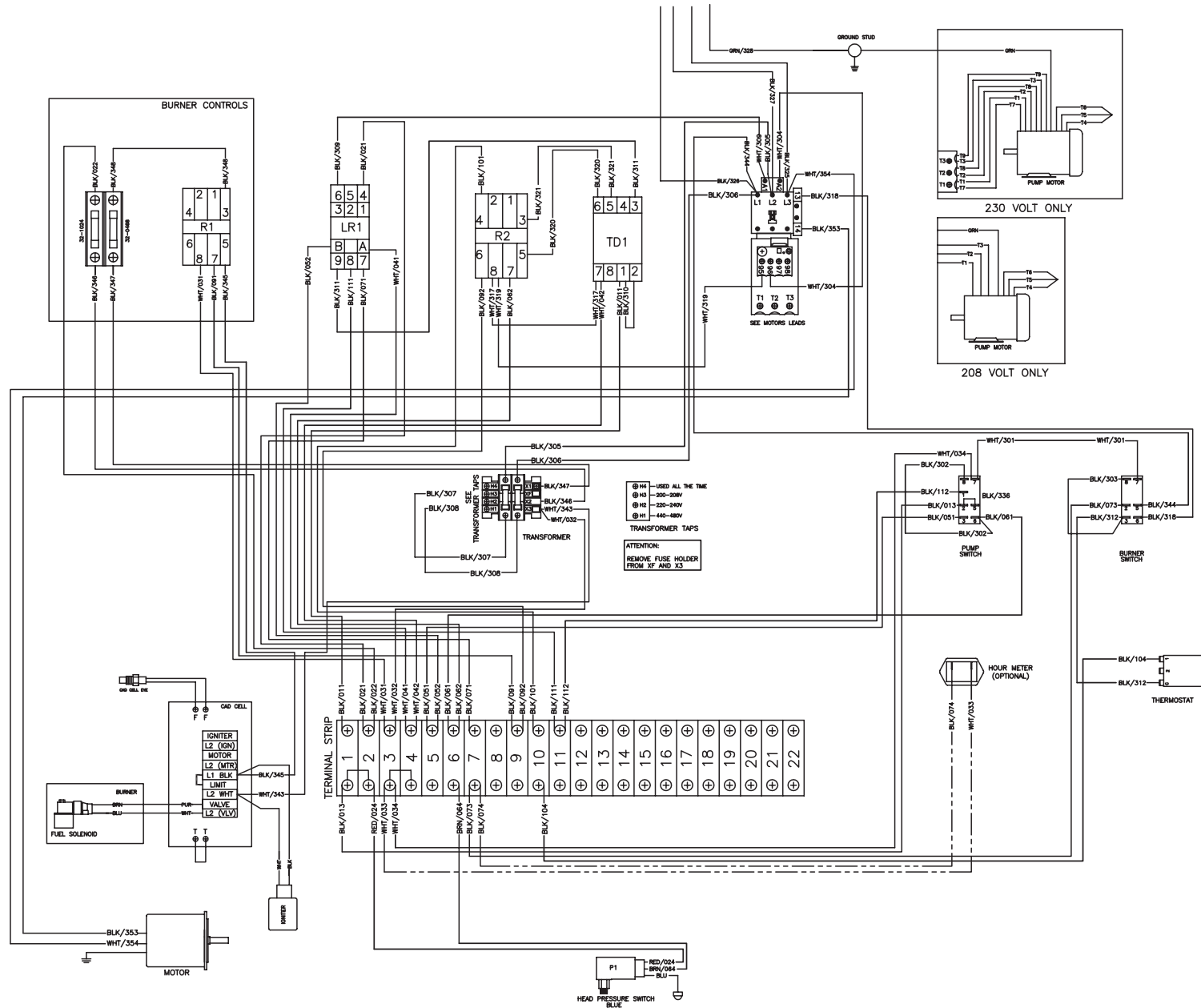
WD HEO 1PH 208-230V WITH AUTO SS AND REMOTES 062713

# WIRE SCHEMATIC HEO THREE PHASE WITH TIME DELAY (HX-0107) (AFTER SERIAL #15083509)



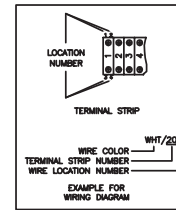
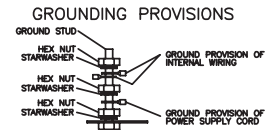
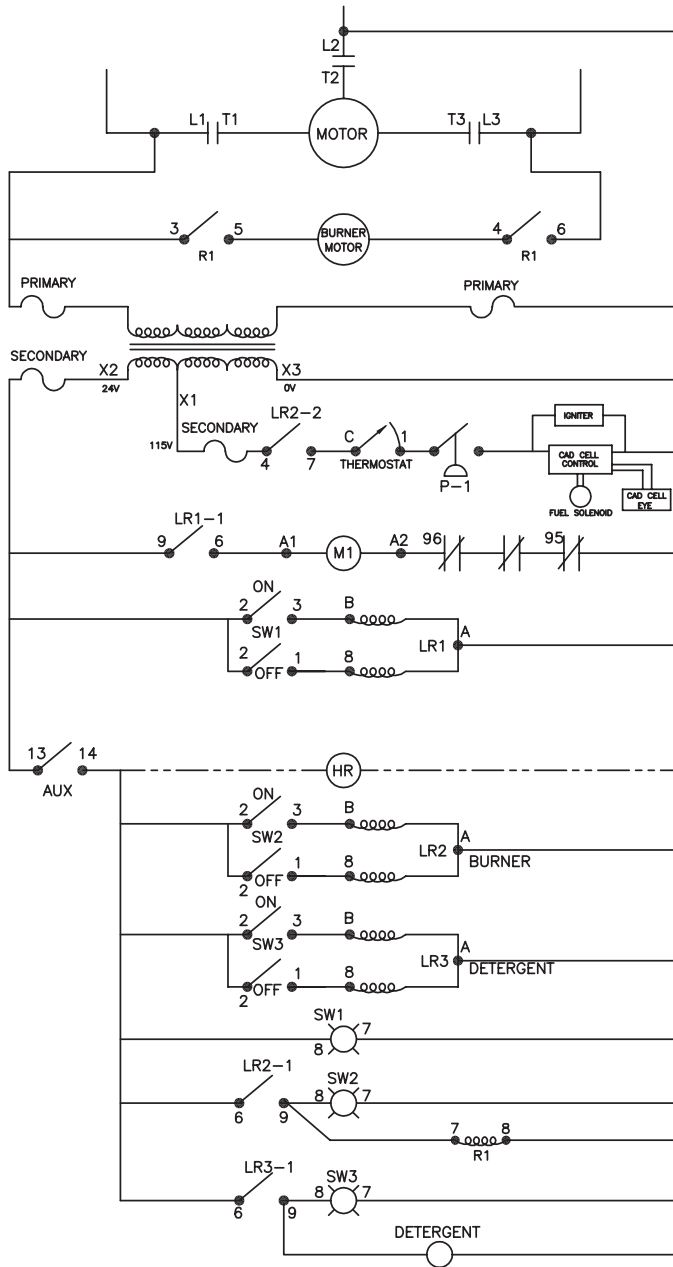
WS HEO 3PH 208-230V WITH TIME DELAY  
062713

# WIRE DIAGRAM HEO THREE PHASE WITH TIME DELAY (HX-0107) (AFTER SERIAL #15083509)



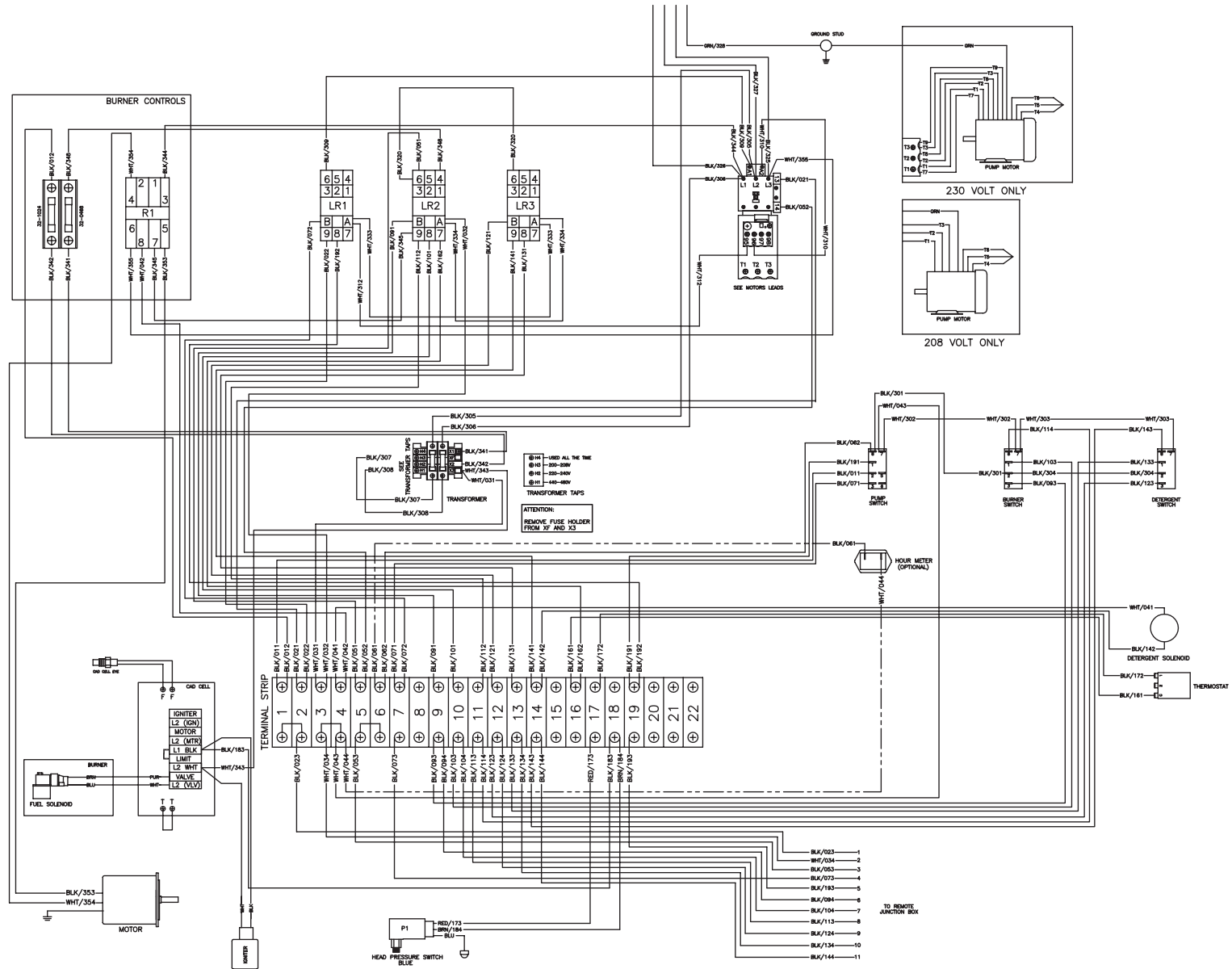
WD HEO 3PH 208-230V WITH TIME DELAY  
062713

# WIRE SCHEMATIC HEO THREE PHASE WITH REMOTES (HX-0108) (AFTER SERIAL #15083509)



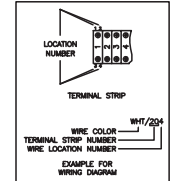
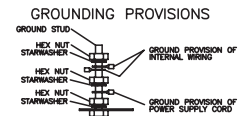
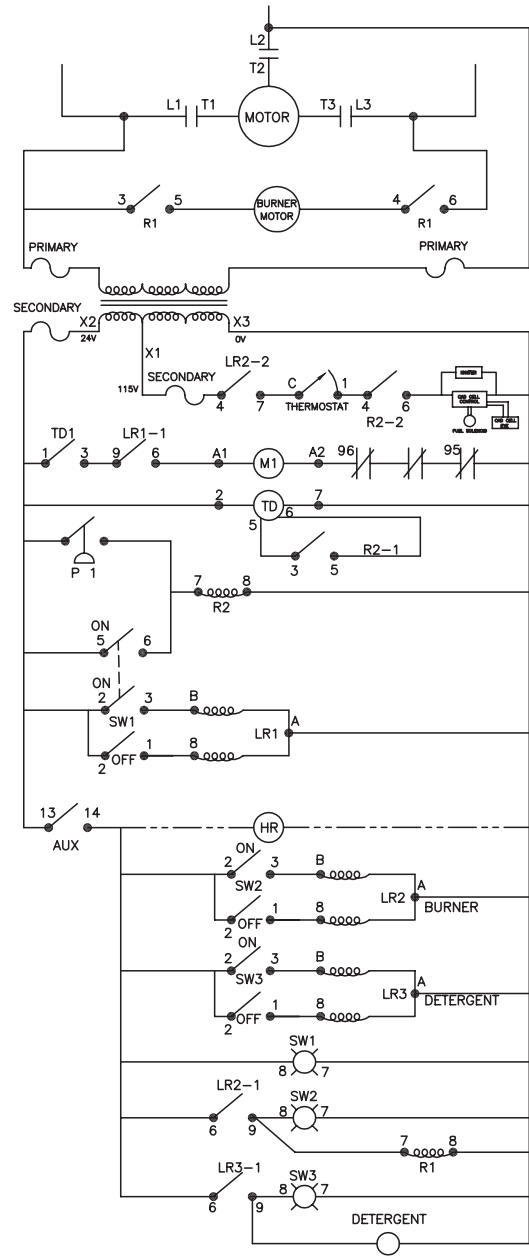
WS HEO 3PH 208-230V WITH REMOTES  
062713

# WIRE DIAGRAM HEO THREE PHASE WITH REMOTES (HX-0108) (AFTER SERIAL #15083509)



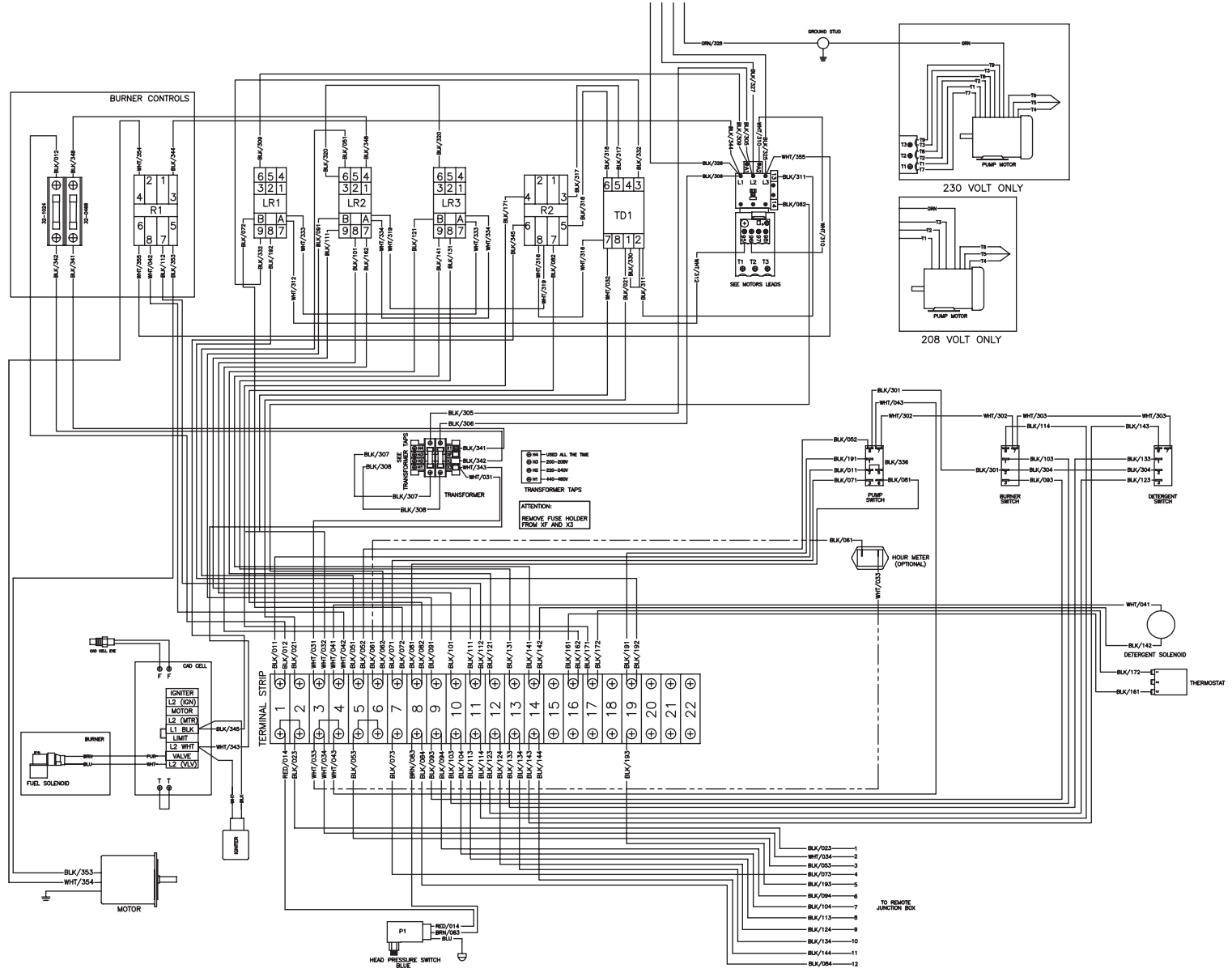
WD HEO 3PH 208-230V WITH REMOTES  
062713

# WIRE SCHEMATIC HEO THREE PHASE WITH TIME DELAY AND REMOTES (HX-0223) (AFTER SERIAL #15083509)



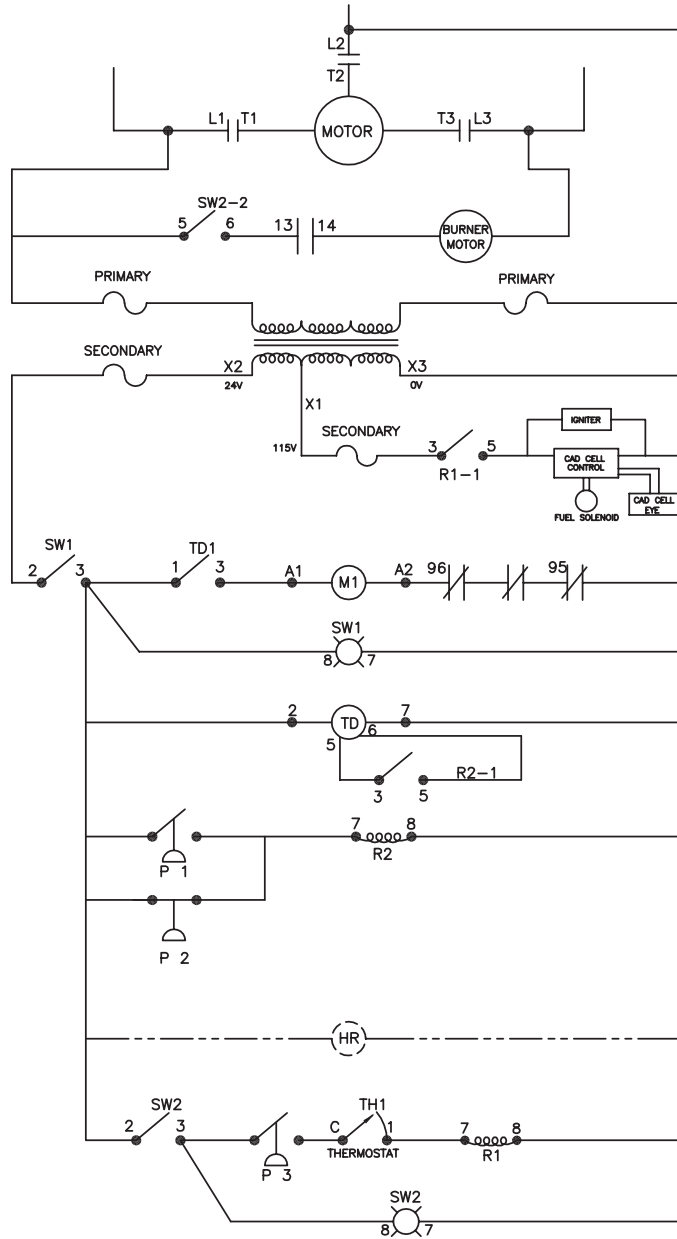
WS HEO 3PH 208-230V WITH TIME DELAY AND REMOTES 062713

# WIRE DIAGRAM HEO THREE PHASE WITH TIME DELAY AND REMOTES (HX-0223) (AFTER SERIAL #15083509)

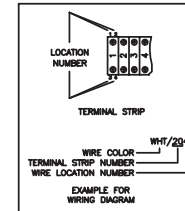
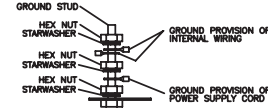


WD HEO 3PH 208-230V WITH TIME DELAY AND REMOTES 062713

# WIRE SCHEMATIC HEO THREE PHASE WITH AUTO START/STOP (HX-0111) (AFTER SERIAL #15083509)



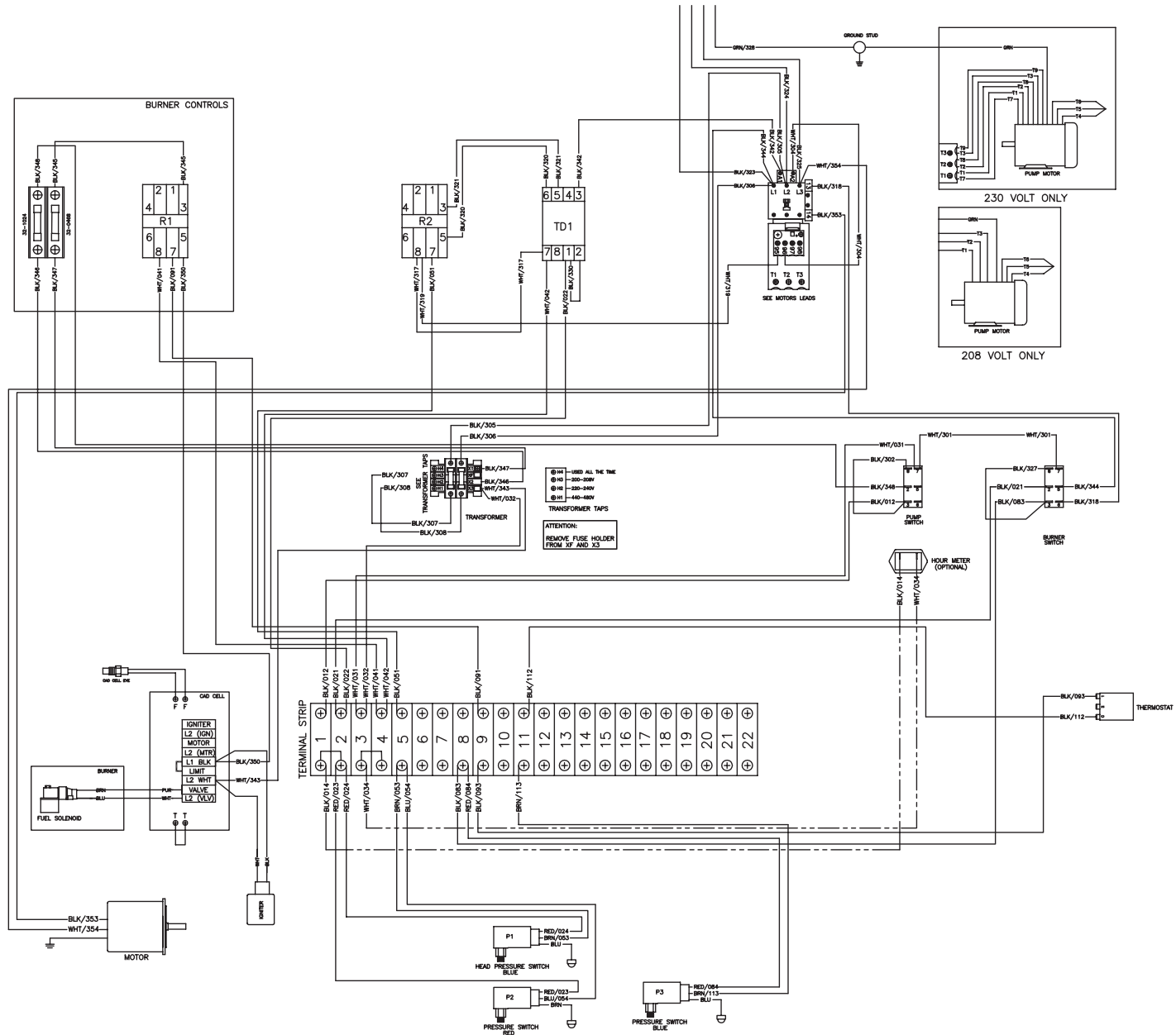
## GROUNDING PROVISIONS



WS HEO 3PH 208-230V WITH AUTO SS 062713

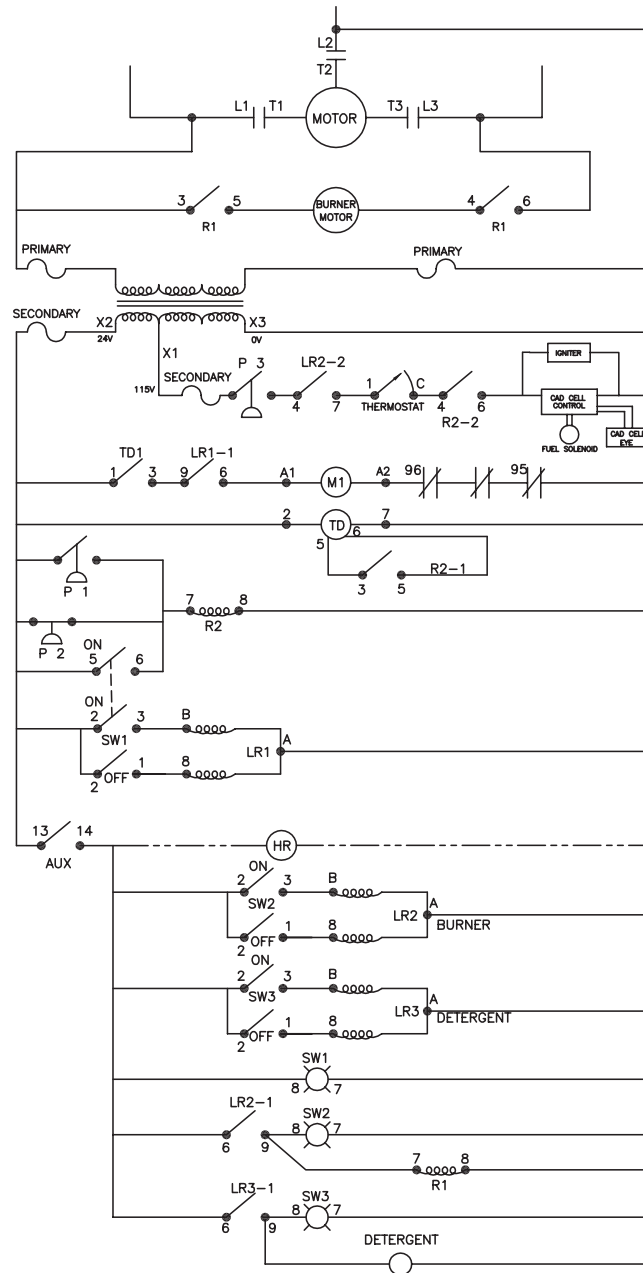


# WIRE DIAGRAM HEO THREE PHASE WITH AUTO START/STOP (HX-0111) (AFTER SERIAL #15083509)

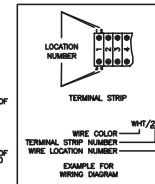
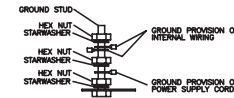


WD HEO 3PH 208-230V WITH AUTO SS 062713

# WIRE SCHEMATIC HEO THREE PHASE WITH AUTO START/STOP AND REMOTES (HX-0124) (AFTER SERIAL #15083509)

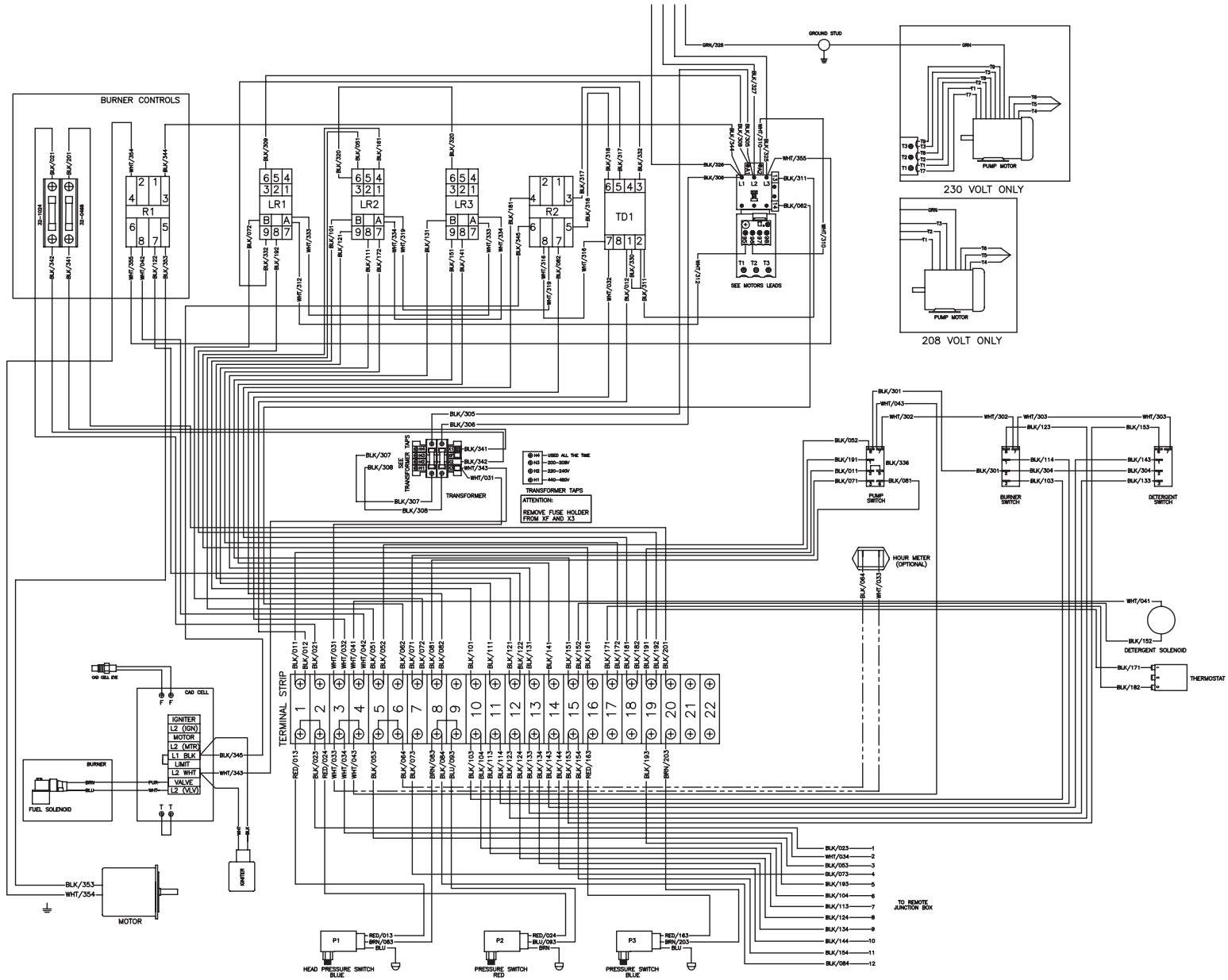


## GROUNDING PROVISIONS



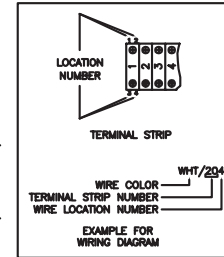
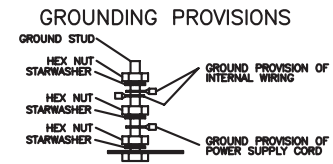
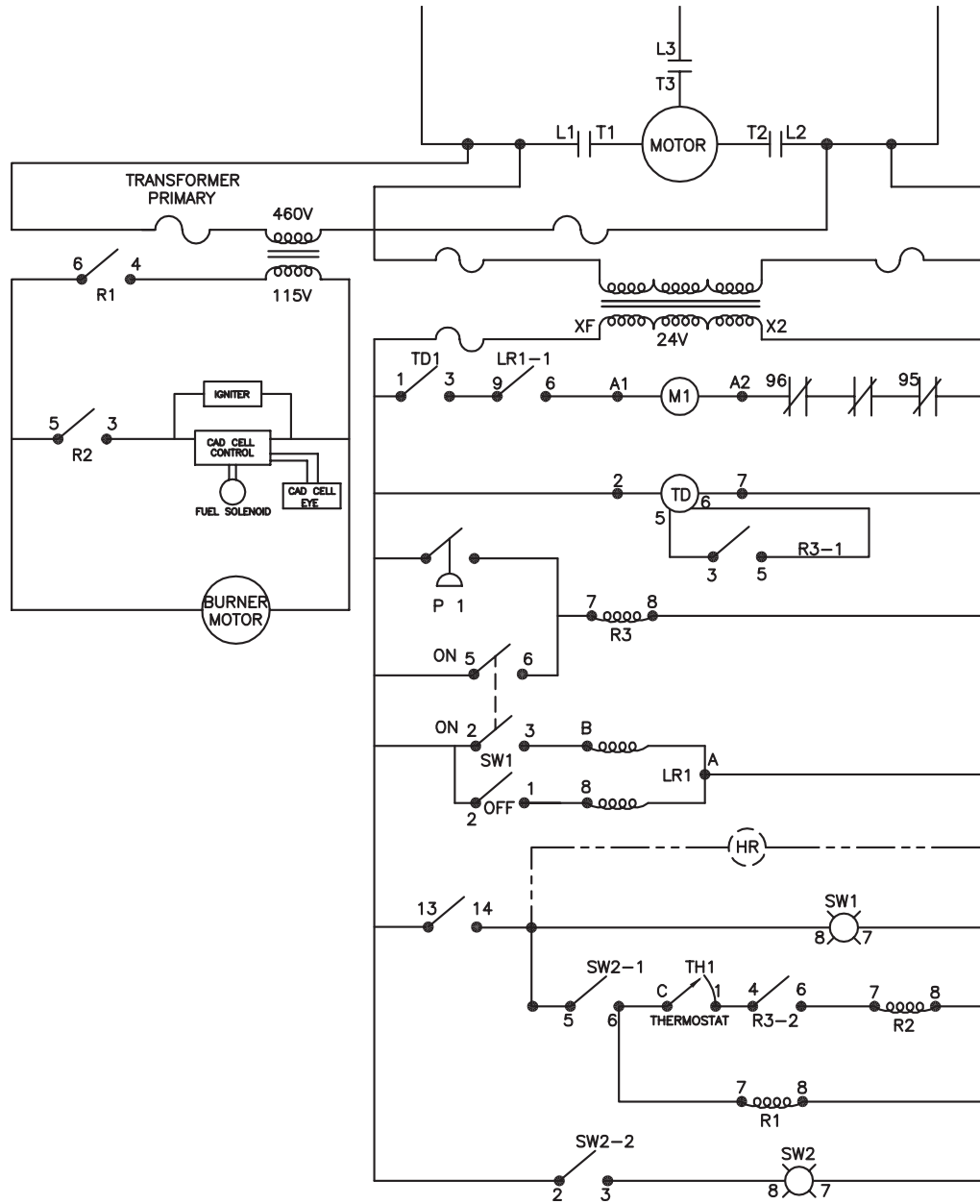
WS HEO 3PH 208-230V WITH AUTO SS  
AND REMOTES 062713

# WIRE DIAGRAM HEO THREE PHASE WITH AUTO START/STOP AND REMOTES (HX-0124) (AFTER SERIAL #15083509)



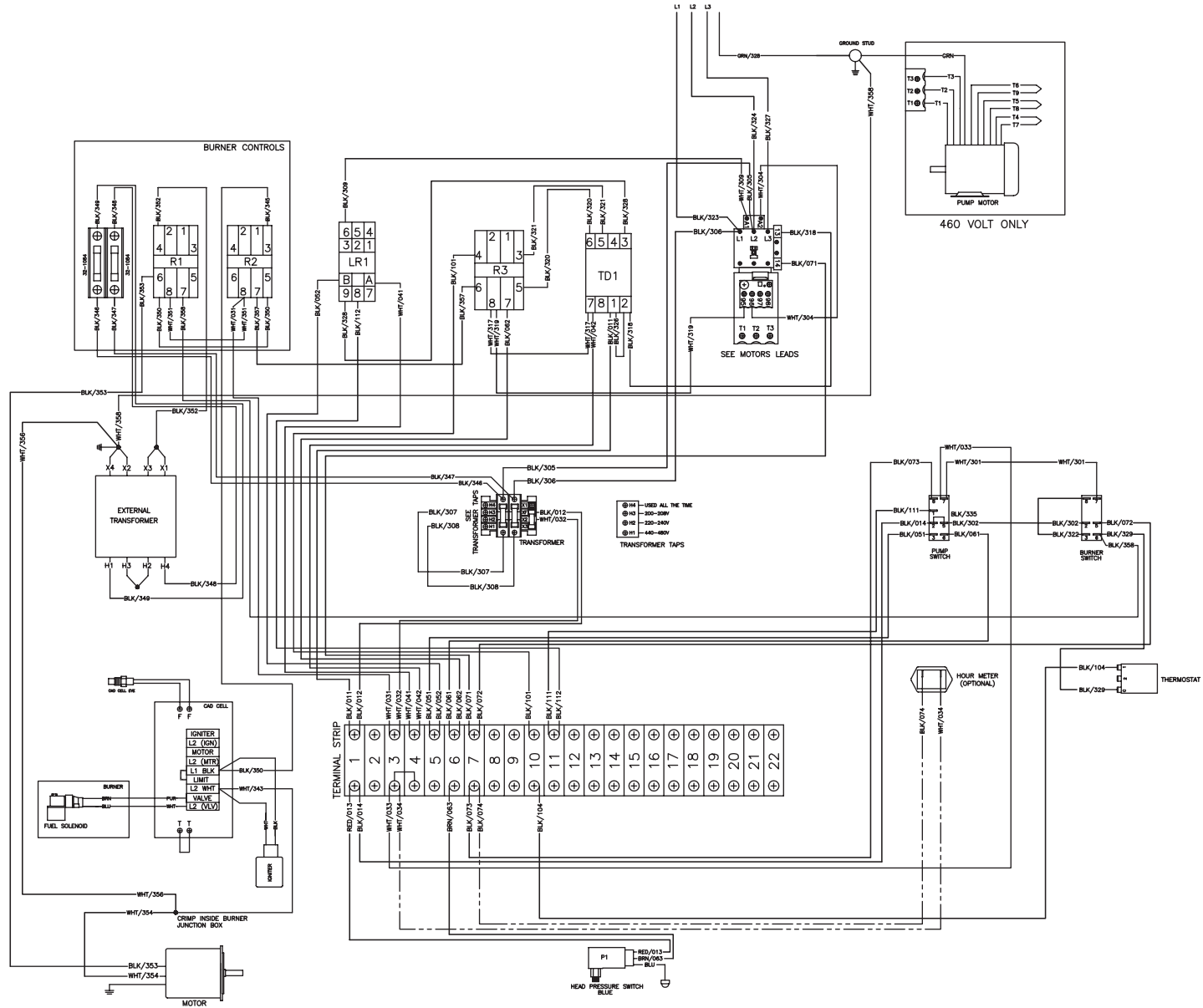
WD HEO 3PH 208-230V WITH AUTO SS AND REMOTES 062713

# WIRE SCHEMATIC HEO THREE PHASE 460V WITH TIME DELAY (HX-0107) (AFTER SERIAL #15083509)



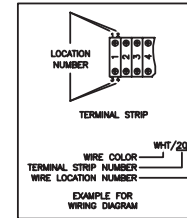
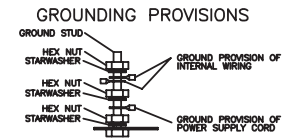
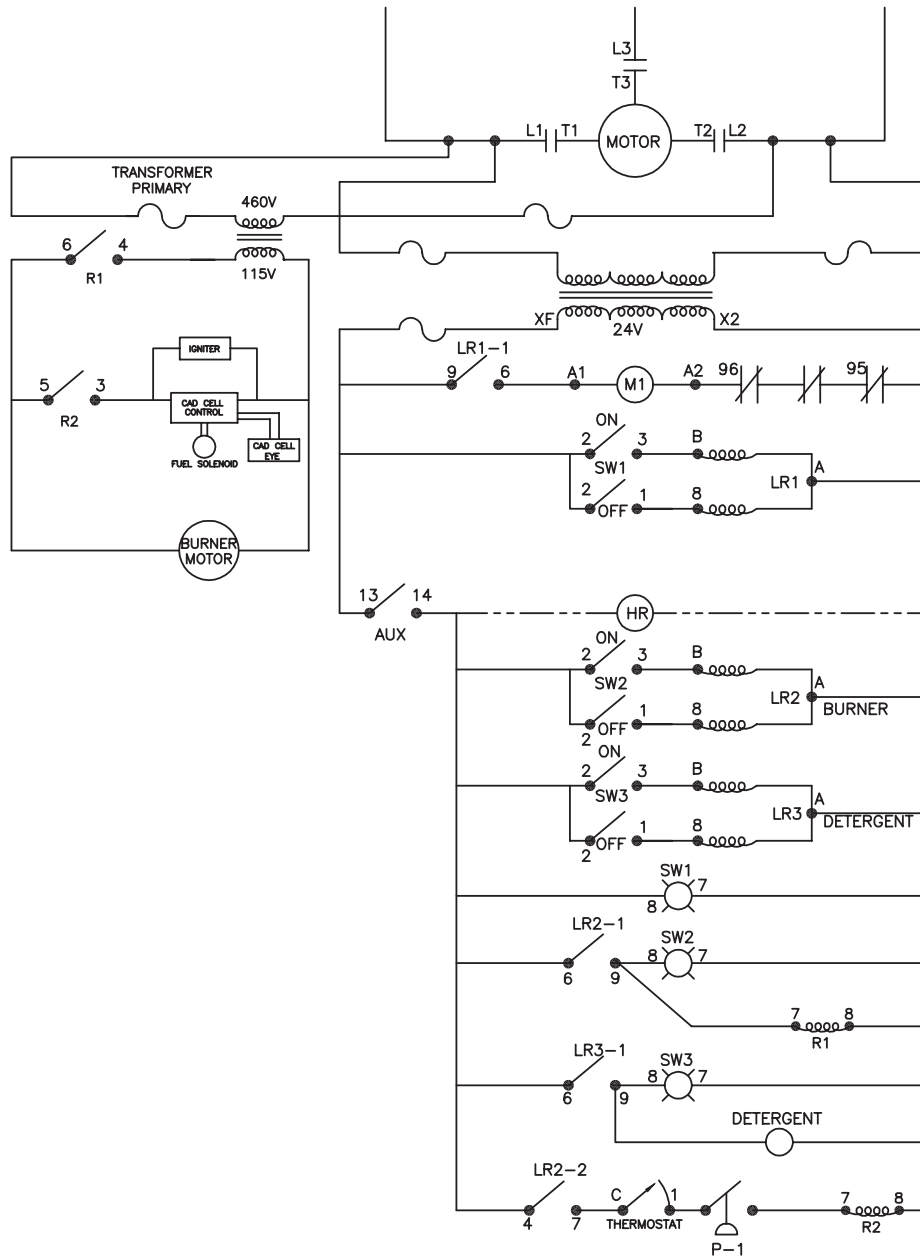
WS HEO 3PH 460V WITH TIME DELAY  
062713

# WIRE DIAGRAM HEO THREE PHASE 460V WITH TIME DELAY (HX-0107) (AFTER SERIAL #15083509)



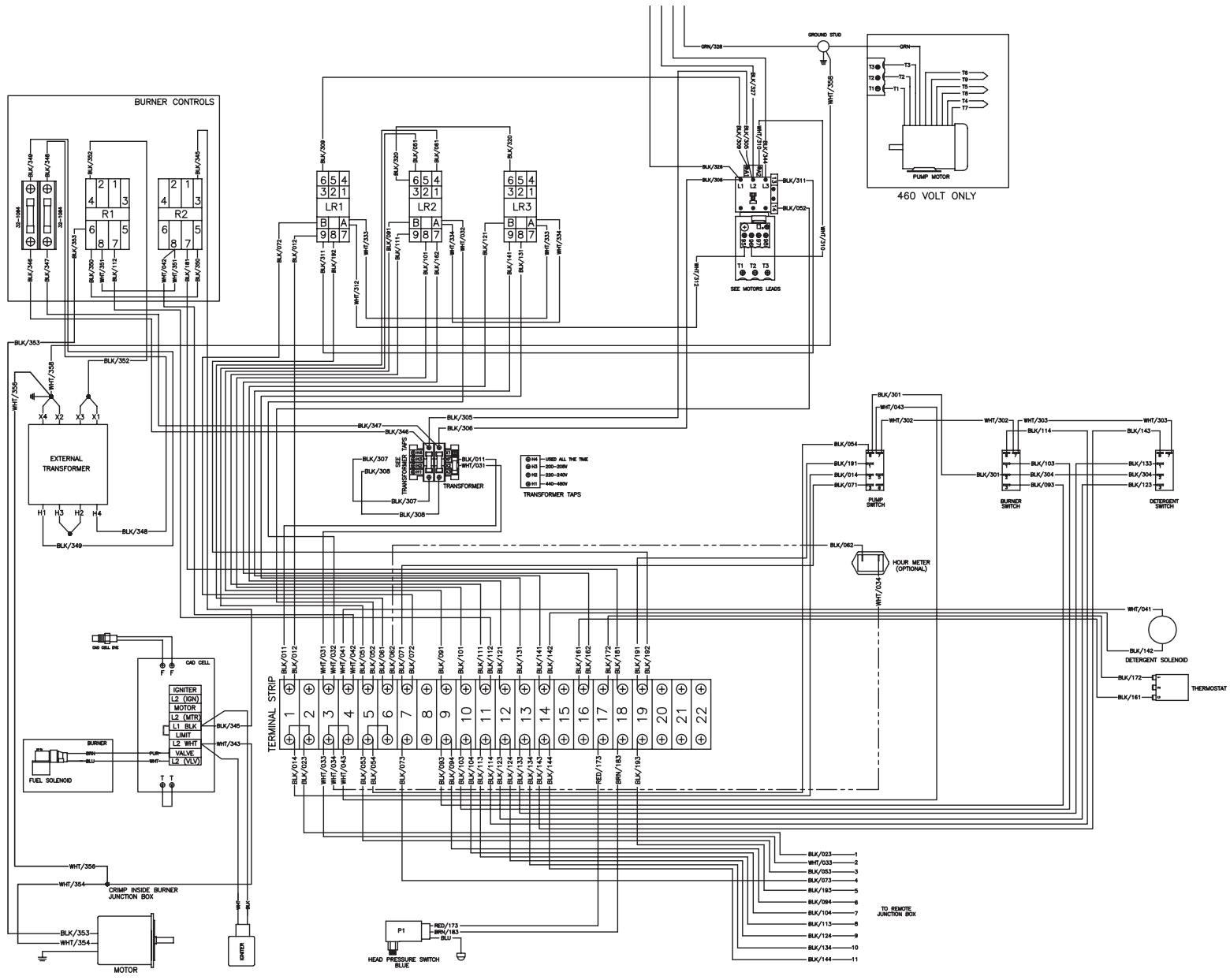
WD HEO 3PH 460V WITH TIME DELAY  
062713

# WIRE SCHEMATIC HEO THREE PHASE 460V WITH REMOTES (HX-0108) (AFTER SERIAL #15083509)



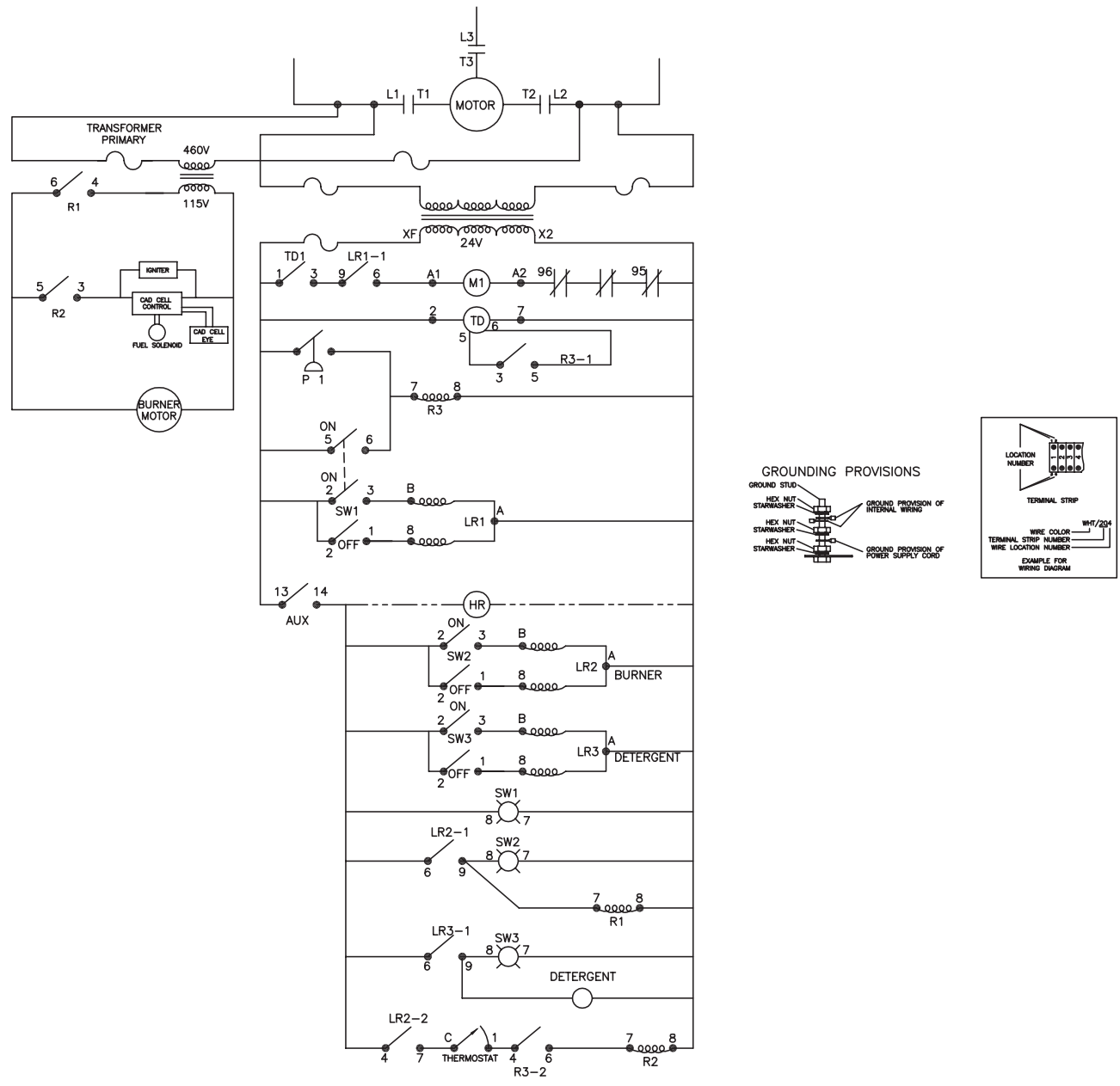
WS HEO 3PH 460V WITH REMOTES 062713

# WIRE DIAGRAM HEO THREE PHASE 460V WITH REMOTES (HX-0108) (AFTER SERIAL #15083509)



WIRING DIAGRAM HEO 3PH 460V WITH REMOTES 111809

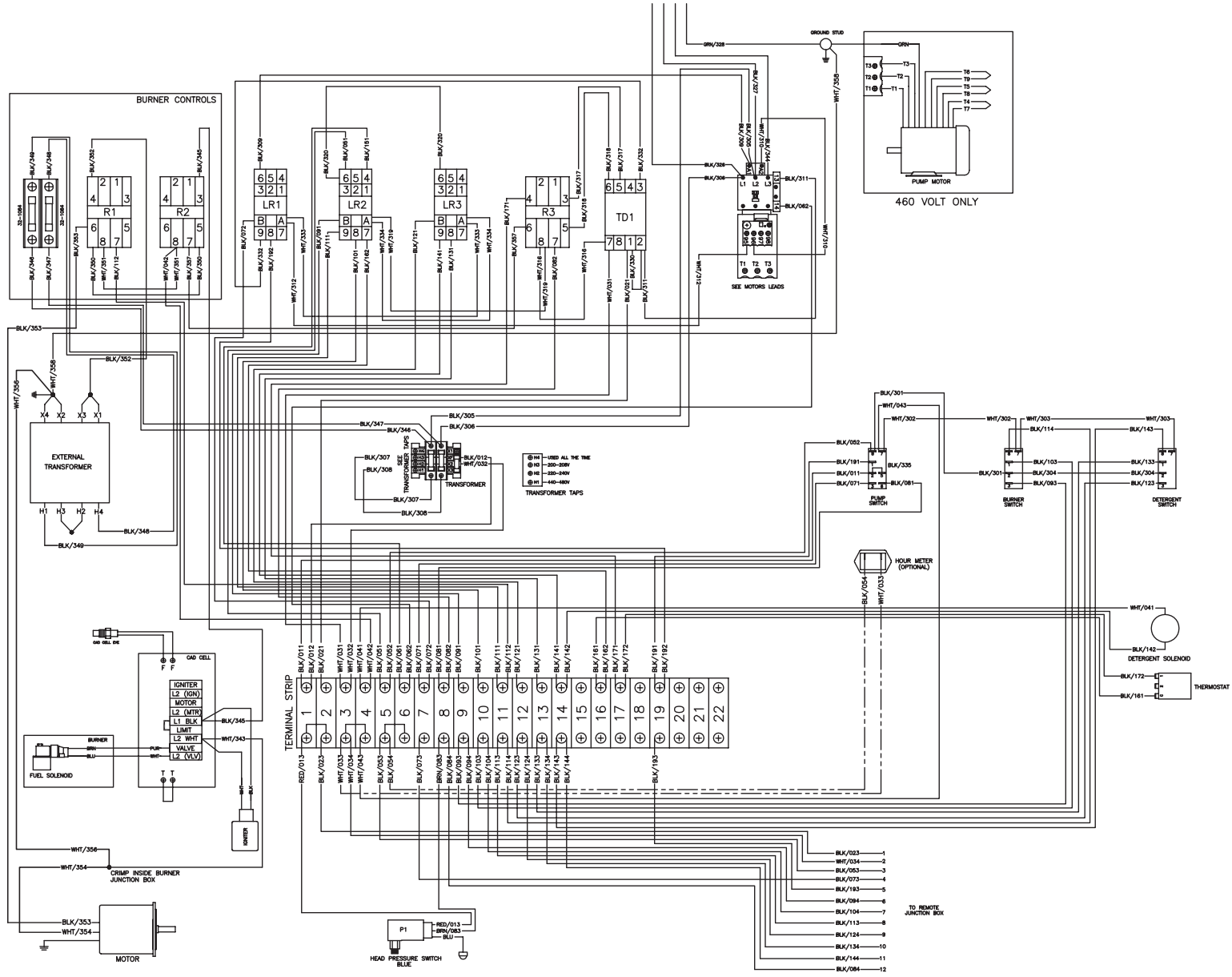
# WIRE SCHEMATIC HEO THREE PHASE 460V WITH TIME DELAY AND REMOTES (HX-0109) (AFTER SERIAL #15083509)



WS HEO 3PH 460V WITH TIME DELAY AND REMOTES 062713

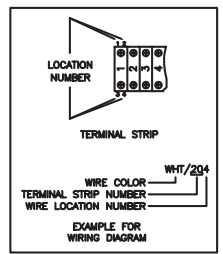
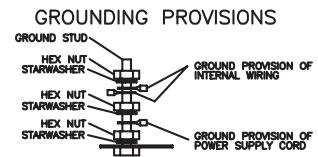
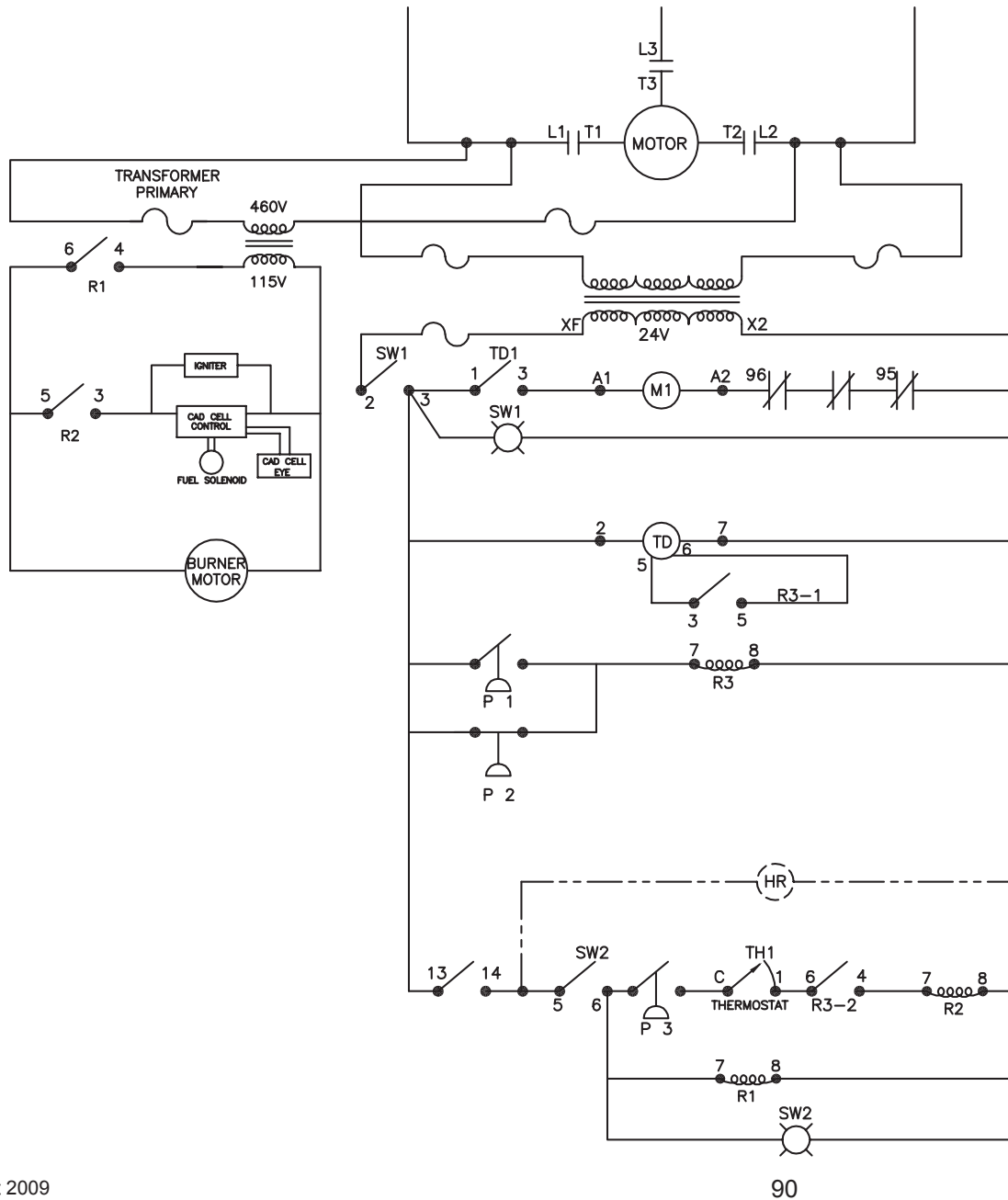


# WIRE DIAGRAM HEO THREE PHASE 460V WITH TIME DELAY AND REMOTES (HX-0109) (AFTER SERIAL #15083509)



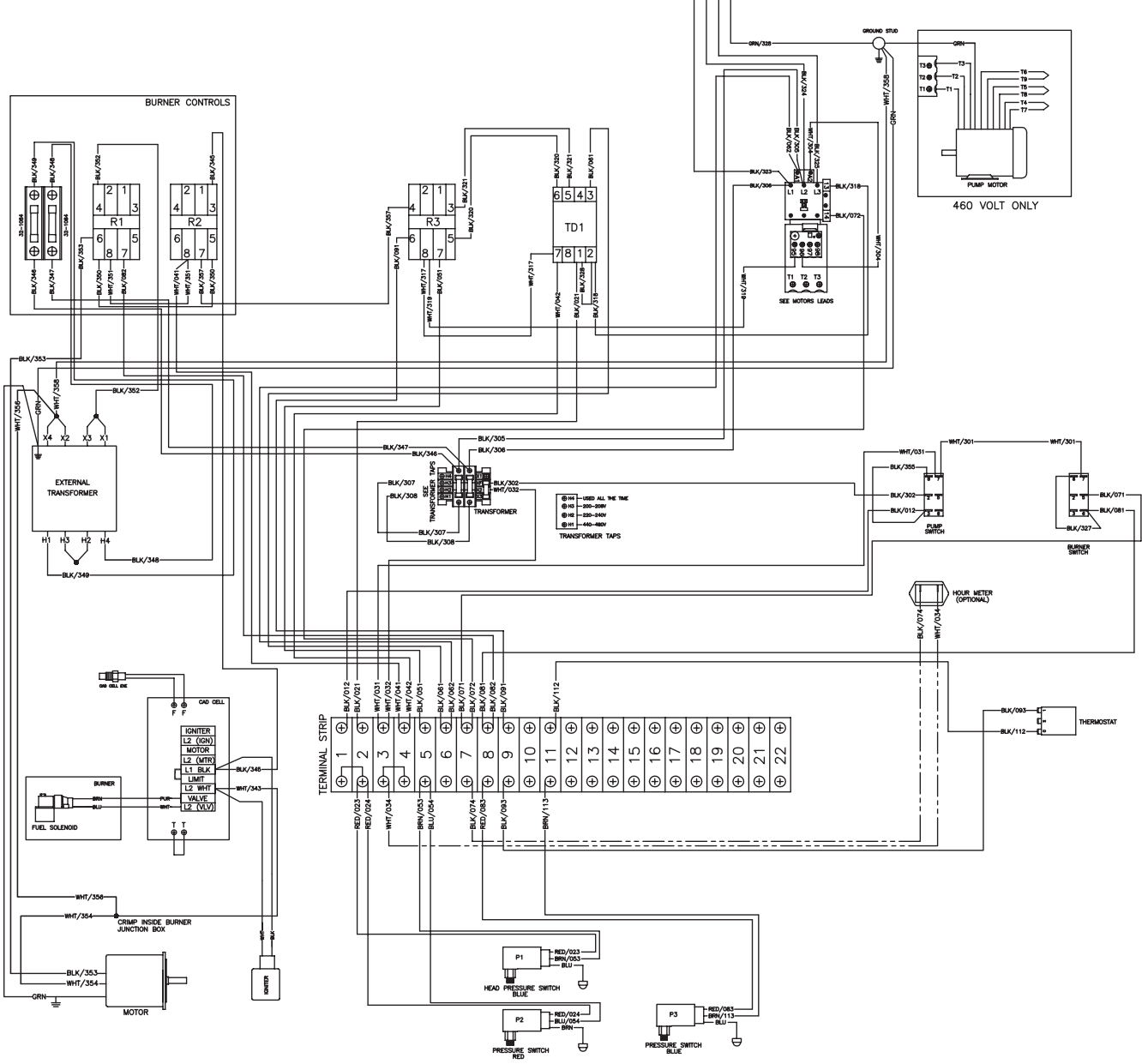
WD HEO 3PH 460V WITH TIME DELAY AND REMOTES 062713

# WIRE SCHEMATIC HEO THREE PHASE 460V WITH AUTO START/STOP (HX-0111) (AFTER SERIAL #15083509)



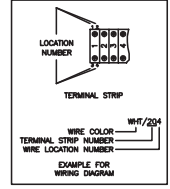
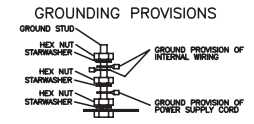
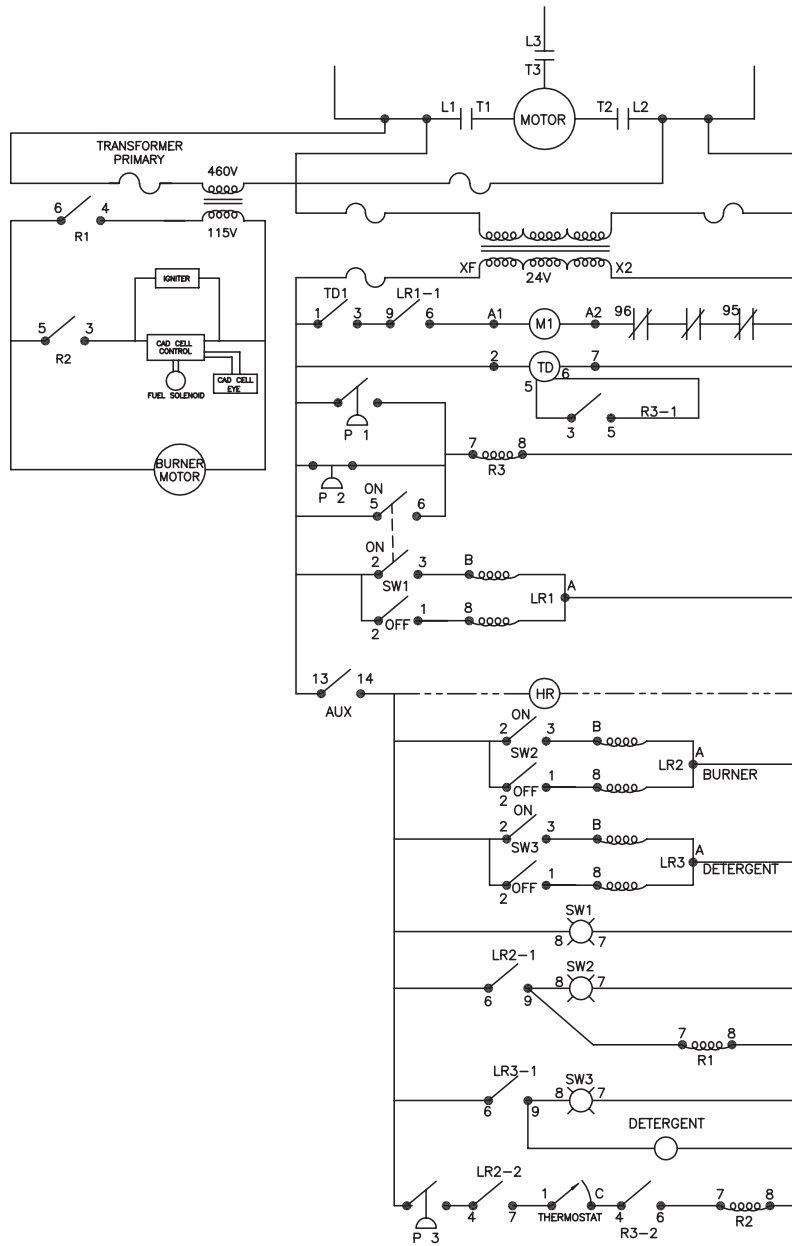
WS HEO 3PH 460V WITH AUTO SS 062713

# WIRE DIAGRAM HEO THREE PHASE 460V WITH AUTO START/STOP (HX-0111) (AFTER SERIAL #15083509)



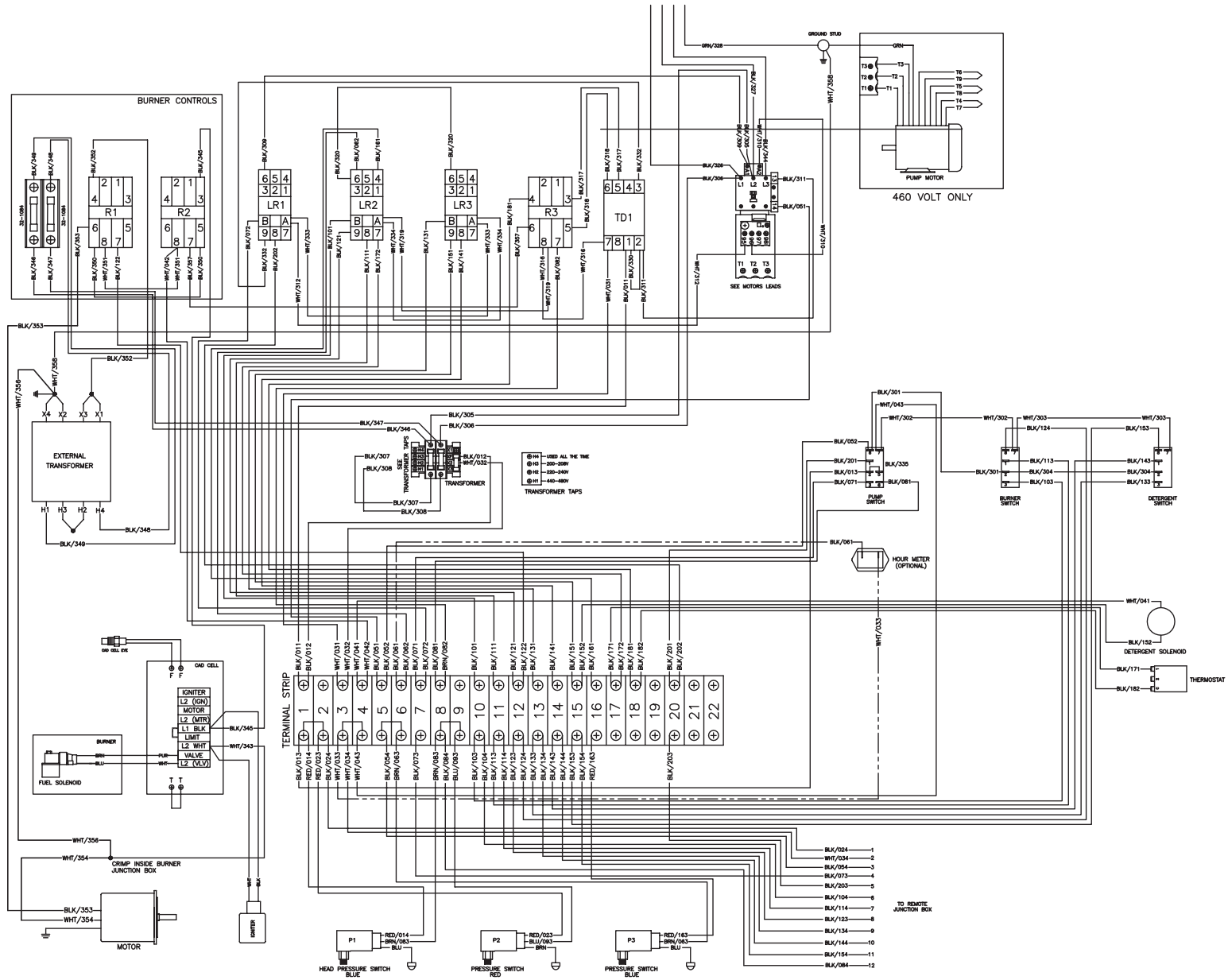
WD HEO 3PH 460V WITH AUTO SS 062713

# WIRE SCHEMATIC HEO THREE PHASE 460V WITH AUTO START/STOP AND REMOTES (HX-0124) (AFTER SERIAL #15083509)



WS HEO 3PH 460V WITH AUTO SS AND REMOTES 062713

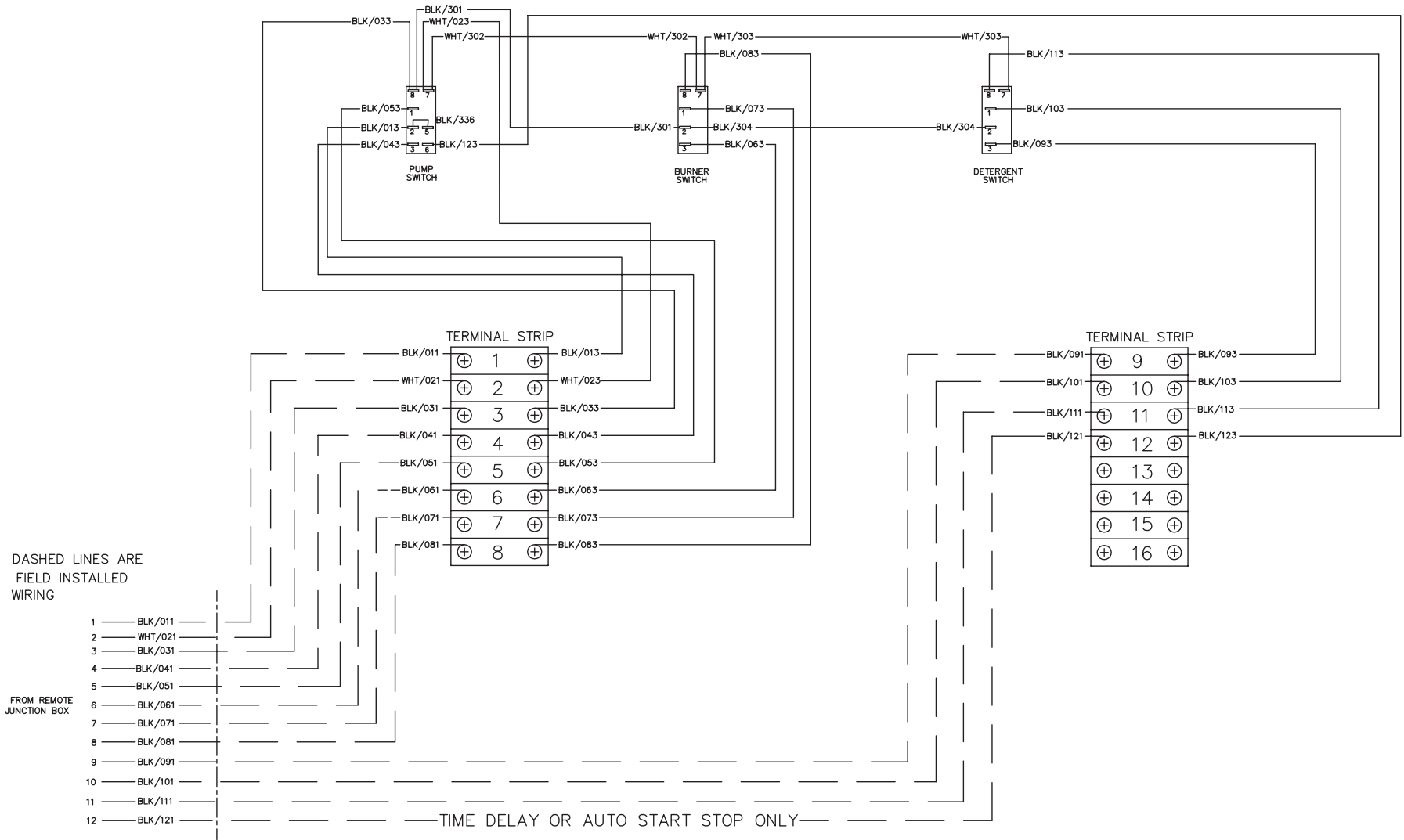
# WIRE DIAGRAM HEO THREE PHASE 460V WITH AUTO START/STOP AND REMOTES (HX-0124) (AFTER SERIAL #15083509)



WD HEO 3PH 460V WITH AUTO SS AND REMOTES 062713

# WIRE DIAGRAM FOR REMOTE BOX (HX-0108, HX-0223, HX-0110 AND HX-0124)

WIRING DIAGRAM AND SCHEMATIC REMOTE BOX WIRING-090106-RZ



---

**NOTES**

**SERIAL #**  
#15083509

**REASON FOR CHANGE**  
CHANGES MADE TO WIRING DIAGRAMS

Manufactured by Mi-T-M  
8650 Enterprise Drive, Peosta IA 52068  
563-556-7484/ Fax 563-556-1235